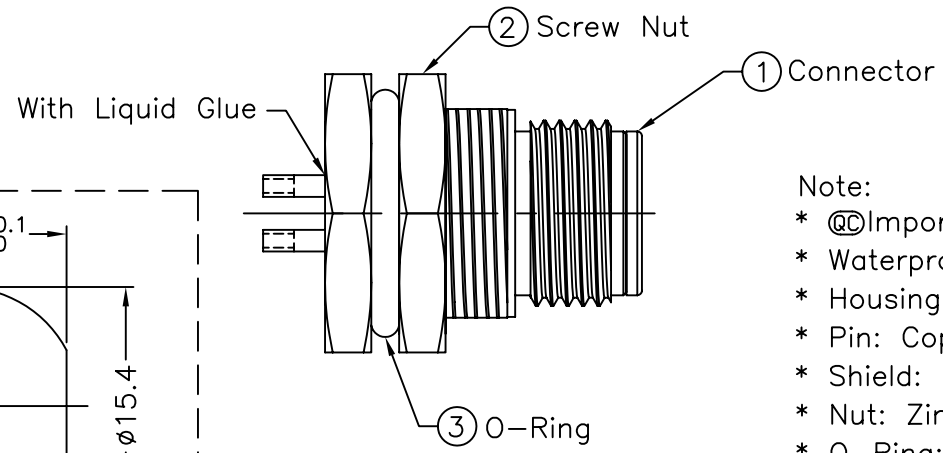
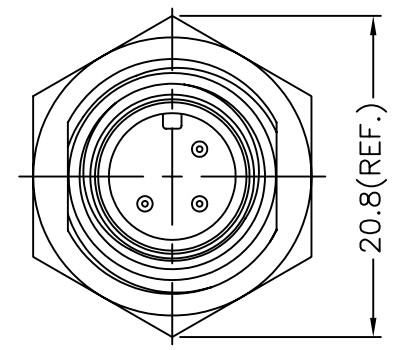
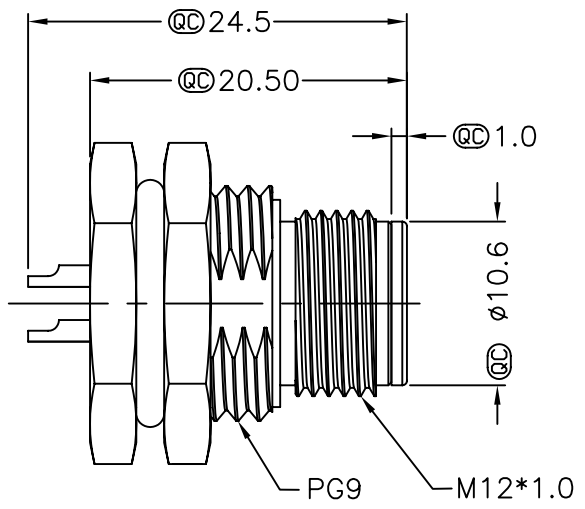
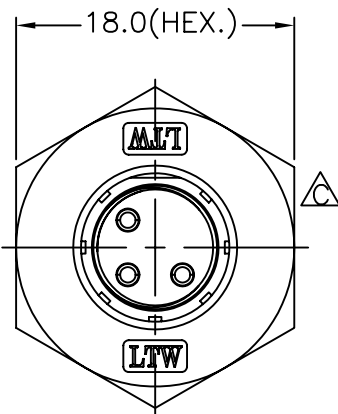
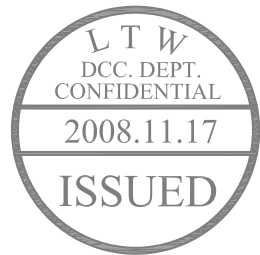
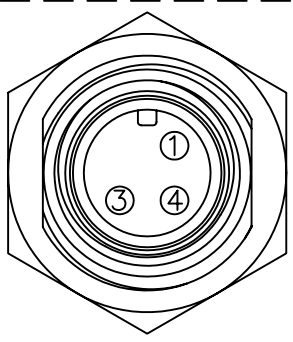


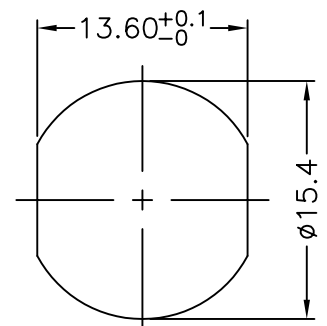
REV.	ECN NO.	DATE	SIGN	DESCRIPTION
B	LEN-7A0022	2007/09/29	Myrdal	Added Note
C	LEN-8B0598	2008/11/03	Li Xiu Zhi	Change View



- Note:
- * @C Important Dimension.
 - * Waterproof Rate: IP68
 - * Housing: Black, Nylon+GF
 - * Pin: Copper Alloy, Gold Plated
 - * Shield: Zinc Alloy, Nickel Plated
 - * Nut: Zinc Alloy, Nickel Plated
 - * O-Ring: Black, EPDM
 - * For Panel Thickness Max 4.5mm
 - * Nut Torque: 4-6 kgf.cm



Pin Assignments
Front View



Recommended Panel Cut-Out

UNIT:mm		TITLE			ITEM NO	DRAWN BY	DATE
		M12 Conn			LTW12-03PMMS-SF8001	Li Xiu Zhi	2008/11/03
TOLERANCE		Panel Screw 3Pin M Conn M Pin		 亮泰企業股份有限公司	DWG NO	CHECKED BY	DATE
.X ±0.25	.XX ±0.1	SCALE Free	SHEET 1 OF 1		LTW12-03PMMS-SF8001	Sunny	2008/11/05
.XXX ±0.05	ANGLES ±1°	REV. C	SIZE A4	: Inspection Item	CUSTOMER	APPROVED BY	DATE
						Win	2008/11/07

THIS DOCUMENT IS SUBJECT TO CHANGE WITHOUT NOTICE. IT IS CONFIDENTIAL AND A PROPERTY OF LTW. DISCLOSURE TO THIRD PARTY HAS TO BE AUTHORIZED BY LTW.