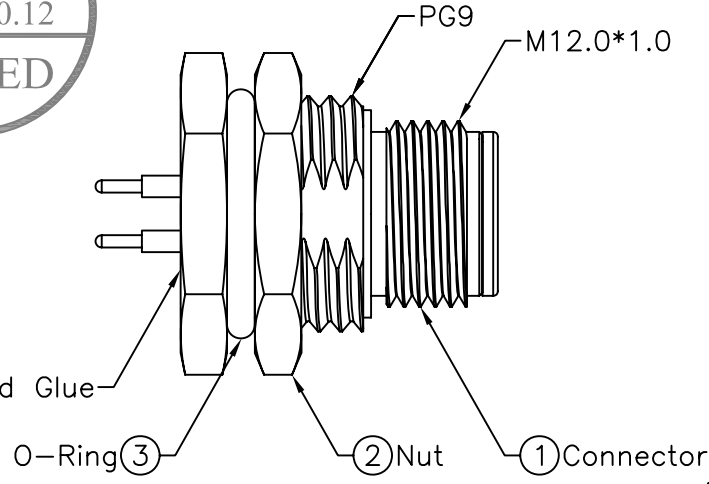
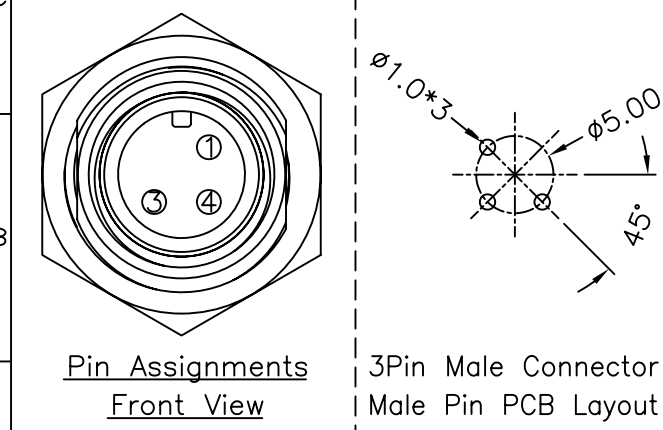
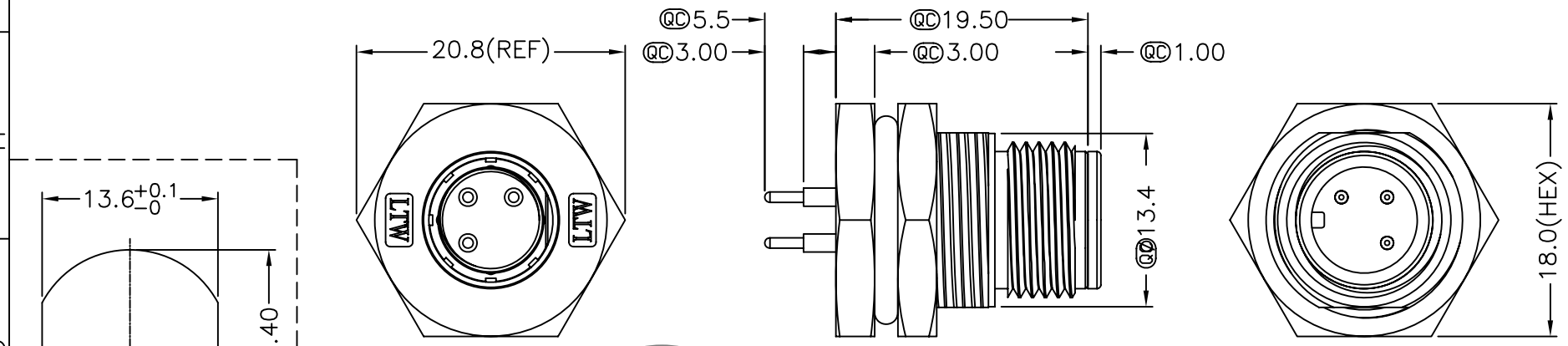


REV.	ECN NO.	DATE	SIGN	DESCRIPTION
B	LEN-750135	2007/05/09	Jason	Change Panel Cut-Out
C	LEN-7A0026	2007/09/29	Myrdal	Added Note

THIS DOCUMENT IS SUBJECT TO CHANGE WITHOUT NOTICE. IT IS CONFIDENTIAL AND A PROPERTY OF LTW. DISCLOSURE TO THIRD PARTY HAS TO BE AUTHORIZED BY LTW.



- Note:
- * @C Important Dimension.
 - * Waterproof Rate: IP68
 - * Housing: Black, Nylon+GF
 - * Male Pin: Copper Alloy, Gold Plated
 - * Shield: Zinc Alloy, Nickel Plated
 - * Nut: Zinc Alloy, Nickel Plated
 - * O-Ring: Black, EPDM
 - * For Panel Thickness Max 4.5mm
 - * Nut Torque: 4-6 kgf.cm

UNIT:mm	TITLE		LTW	ITEM NO	DRAWN BY	DATE
	M12 Conn Panel Screw 3Pin M Conn M Pin			LTW12-03PMMP-SF8001	Myrdal Manzano	2007/09/29
TOLERANCE	SCALE	SHEET	亮泰企業股份有限公司	DWG NO	CHECKED BY	DATE
.X ±0.25 .XX ±0.1 .XXX ±0.05 ANGLES ±1°	Free	1 OF 1		LTW12-03PMMP-SF8001	Alan MJ Sundo	2007/10/01
REV. C	SIZE A4	@C :Inspection Item	CUSTOMER	APPROVED BY	DATE	
				Cloud	2007/10/04	