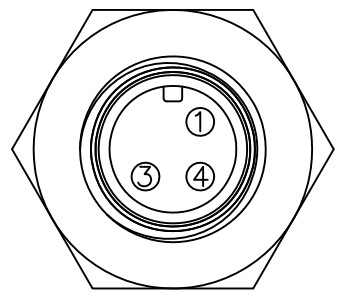
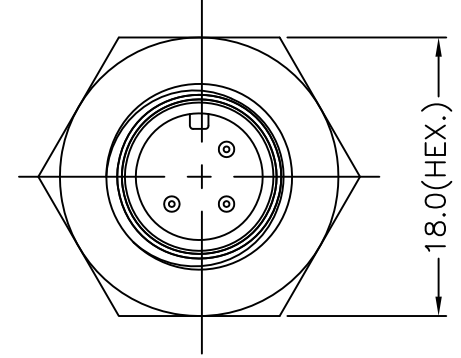
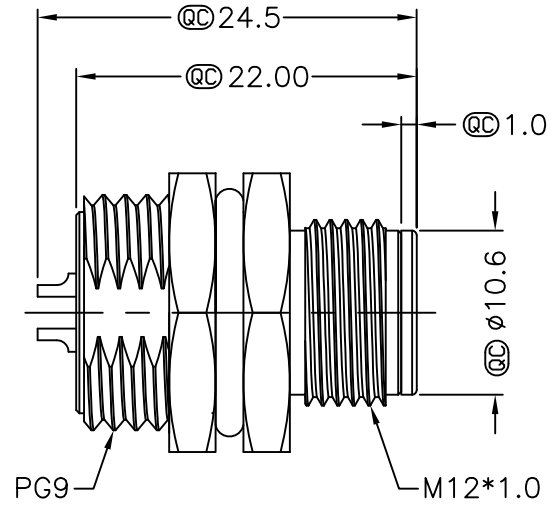
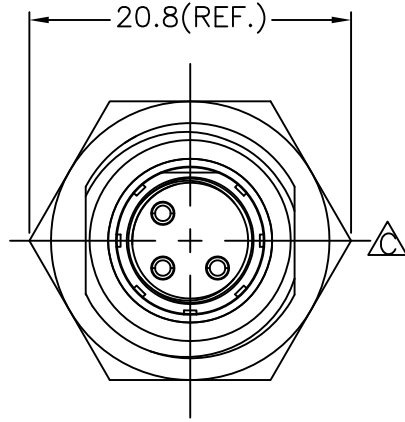


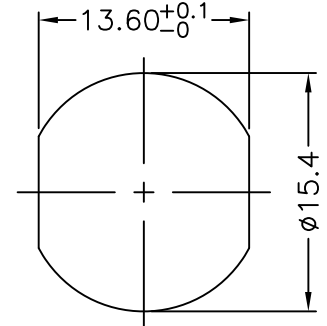
REV.	ECN NO.	DATE	SIGN	DESCRIPTION
B	LEN-7A0018	2007/09/29	Myrdal	Added Note
C	LEN-850068	2008/04/23	Zhang Jin	Change View.

LTW  
DCC. DEPT.  
CONFIDENTIAL  
2008.05.28  
ISSUED

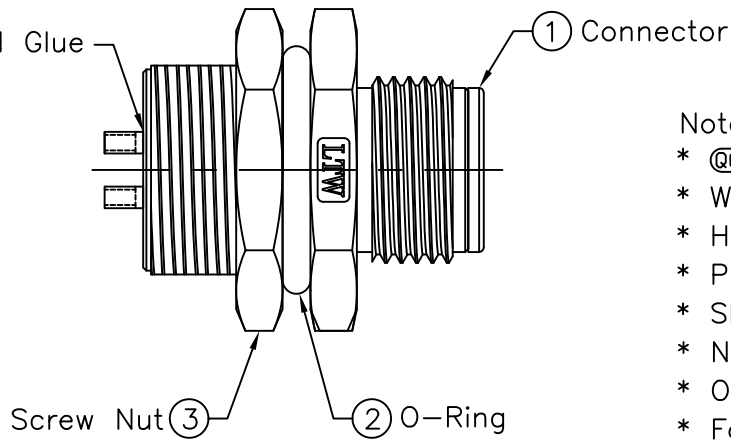
LTW  
CONFIDENTIAL  
2008.04.23  
R&D DEPT.



Pin Assignments  
Front View



Recommended Panel Cut-Out



- Note:
- \* @C Important Dimension.
  - \* Waterproof Rate: IP68
  - \* Housing: Black, Nylon+GF
  - \* Pin: Copper Alloy, Gold Plated
  - \* Shield: Zinc Alloy, Nickel Plated
  - \* Nut: Zinc Alloy, Nickel Plated
  - \* O-Ring: Black, EPDM
  - \* For Panel Thickness Max 4.5mm
  - \* Nut Torque: 4-6 kgf.cm

UNIT:mm	
TOLERANCE	
.X	±0.25
.XX	±0.1
.XXX	±0.05
ANGLES	±1°

TITLE		M12 Conn	
Panel Screw 3Pin M Conn M Pin			
SCALE	Free	SHEET	1 OF 1
REV.	C	SIZE	A4
@C : Inspection Item			

**LTW**  
亮泰企業股份有限公司

ITEM NO	LTW12-03PMMS-SH8001
DWG NO	LTW12-03PMMS-SH8001
CUSTOMER	

DRAWN BY	Zhang Jin
CHECKED BY	Ling
APPROVED BY	Win

DATE	2008/04/23
DATE	2008/04/25
DATE	2008/04/25

THIS DOCUMENT IS SUBJECT TO CHANGE WITHOUT NOTICE. IT IS CONFIDENTIAL AND A PROPERTY OF LTW. DISCLOSURE TO THIRD PARTY HAS TO BE AUTHORIZED BY LTW.