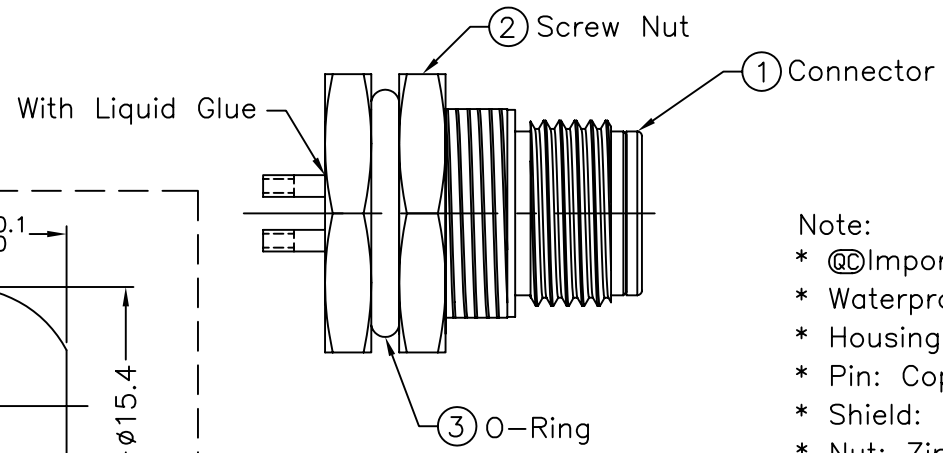
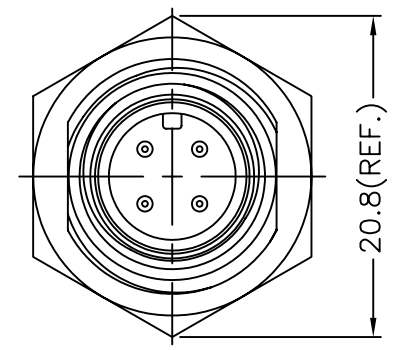
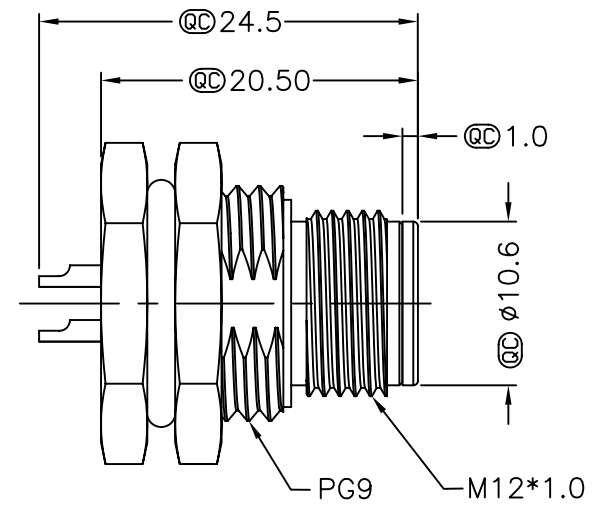
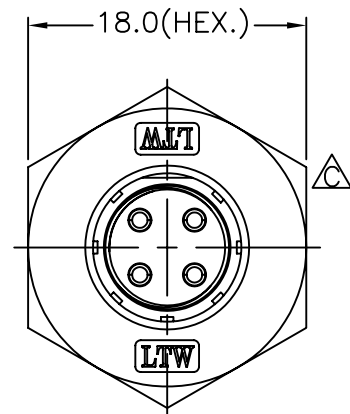


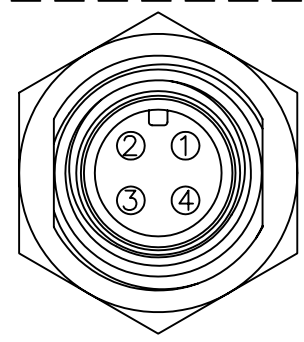
REV.	ECN NO.	DATE	SIGN.	DESCRIPTION
B	LEN-7A0023	2007/09/29	Myrdal	Added Note
C	LEN-8B0597	2008/11/01	Li Xiu Zhi	Change View

LTW
DCC. DEPT.
CONFIDENTIAL
2008.11.17
ISSUED

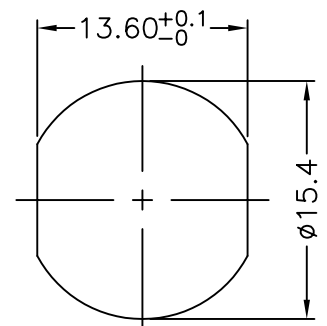
LTW
CONFIDENTIAL
2008.11.01
R&D DEPT.



- Note:
- * @C Important Dimension.
 - * Waterproof Rate: IP68
 - * Housing: Black, Nylon+GF
 - * Pin: Copper Alloy, Gold Plated
 - * Shield: Zinc Alloy, Nickel Plated
 - * Nut: Zinc Alloy, Nickel Plated
 - * O-Ring: Black, EPDM
 - * For Panel Thickness Max 4.5mm
 - * Nut Torque: 4-6 kgf.cm



Pin Assignments
Front View



Recommended Panel Cut-Out

UNIT:mm		TITLE	M12 Conn		ITEM NO	LTW12-04PMMS-SF8001	DRAWN BY	Li Xiu Zhi	DATE	2008/11/01
TOLERANCE	.X ±0.25 .XX ±0.1 .XXX ±0.05 ANGLES ±1°	Panel Screw 4Pin M Conn M Pin			DWG NO	LTW12-04PMMS-SF8001	CHECKED BY	Sunny	DATE	2008/11/05
SCALE	Free	SHEET	1 OF 1		CUSTOMER		APPROVED BY	Win	DATE	2008/11/07
REV.	C	SIZE	A4	@C : Inspection Item	LTW		亮泰企業股份有限公司		8 QP02C-01-01A2	

THIS DOCUMENT IS SUBJECT TO CHANGE WITHOUT NOTICE. IT IS CONFIDENTIAL AND A PROPERTY OF LTW. DISCLOSURE TO THIRD PARTY HAS TO BE AUTHORIZED BY LTW.