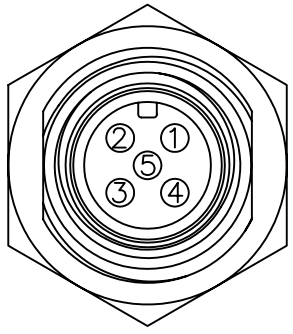
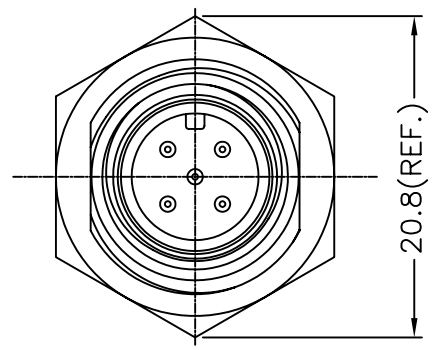
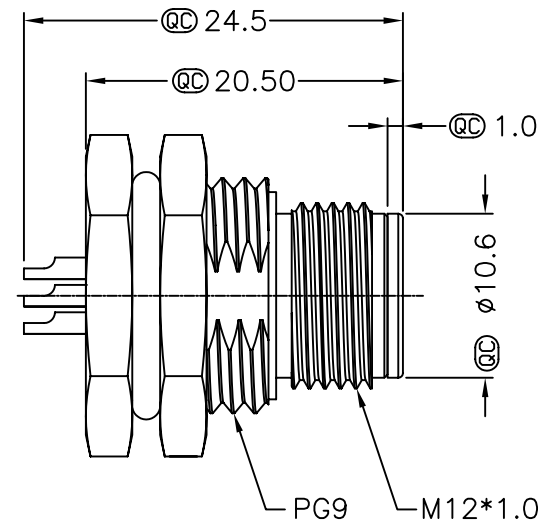
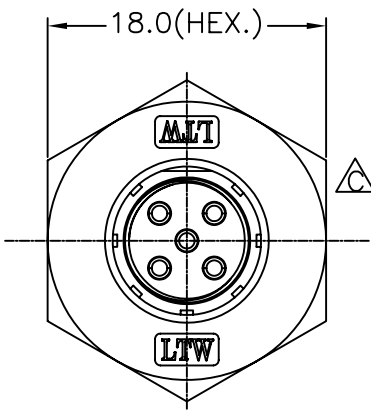


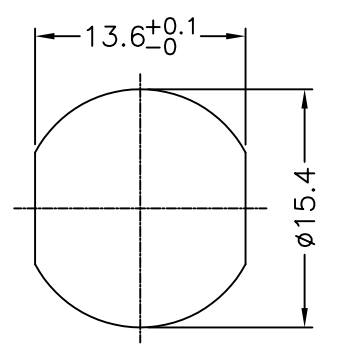
| | | | | |
|------|------------|------------|-------------------|-------------|
| REV. | ECN NO. | DATE | SIGN | DESCRIPTION |
| B | LEN-7A0024 | 2007/10/01 | Rommel A. Vergara | Add Note |
| C | LEN-8B0599 | 2008/11/05 | Li Xiu Zhi | Change View |

LTW
DCC. DEPT.
CONFIDENTIAL
2008.11.17
ISSUED

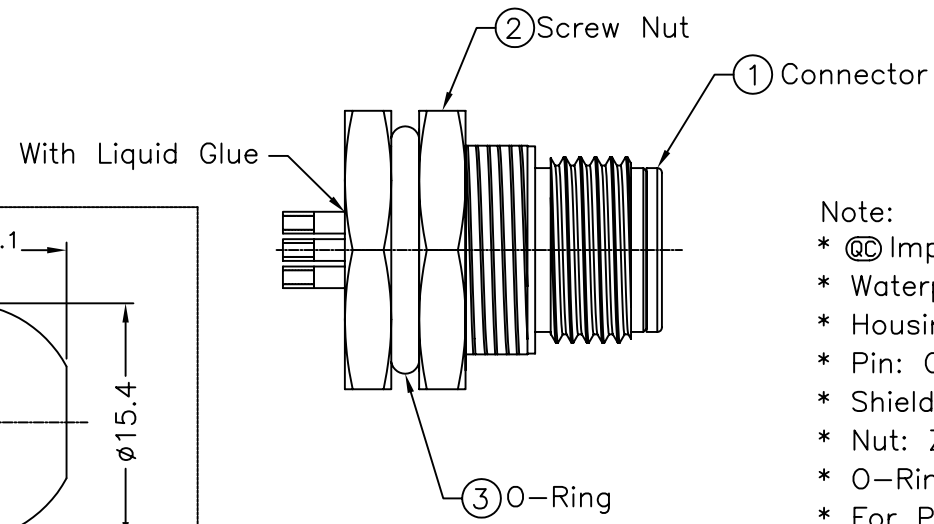
LTW
CONFIDENTIAL
2008.11.05
R&D DEPT.



Pin Assignments
Front View



Recommended Panel Cut-Out



- Note:
- * @C Important Dimension.
 - * Waterproof Rate: IP68
 - * Housing: Black, Nylon+GF
 - * Pin: Copper Alloy, Gold Plated
 - * Shield: Zinc Alloy, Nickel Plated
 - * Nut: Zinc Alloy, Nickel Plated
 - * O-Ring: Black, EPDM
 - * For Panel Thickness Max 4.5mm
 - * Nut Torque: 4-6 kgf.cm

| | | | | | | |
|-----------|-------|-------------------------------|--------|---------------------|-------------|------------|
| UNIT:mm | | TITLE | | ITEM NO | DRAWN BY | DATE |
| | | M12 Conn | | | | |
| TOLERANCE | | Panel Screw 5Pin M Conn M Pin | | DWG NO | CHECKED BY | DATE |
| .X | ±0.25 | SCALE | Free | LTW12-05PMMS-SF8001 | Sunny | 2008/11/05 |
| .XX | ±0.1 | REV. | C | CUSTOMER | APPROVED BY | DATE |
| .XXX | ±0.05 | SIZE | A4 | | Win | 2008/11/07 |
| ANGLES | ±1° | SHEET | 1 OF 1 | | | |
| | | | | QP02C-01-01A2 | | |

THIS DOCUMENT IS SUBJECT TO CHANGE WITHOUT NOTICE. IT IS CONFIDENTIAL AND A PROPERTY OF LTW. DISCLOSURE TO THIRD PARTY HAS TO BE AUTHORIZED BY LTW.