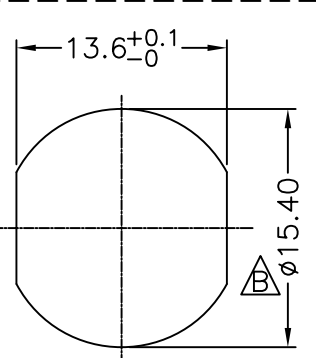
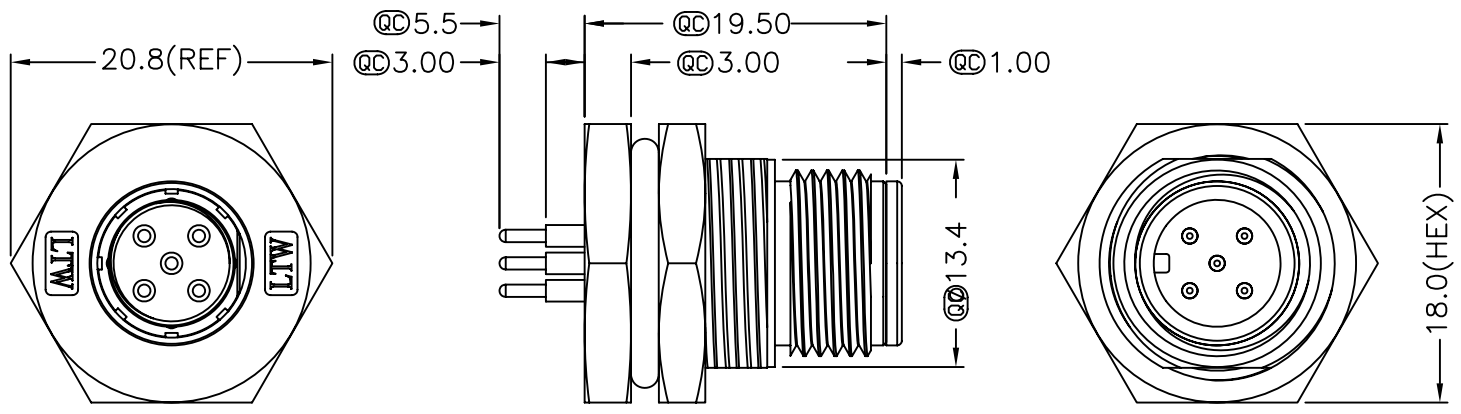
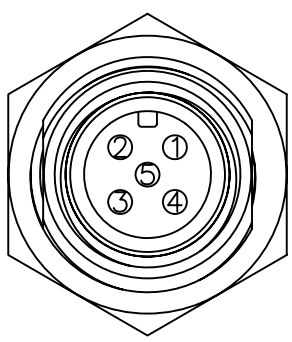




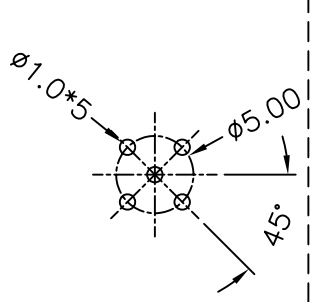
REV.	ECN NO.	DATE	SIGN	DESCRIPTION
C	LEN-7A0028	2007/10/01	Rommel A. Vergara	Add Note
B	LEN-750137	2007/05/09	Jason	Change Panel Cut-Out



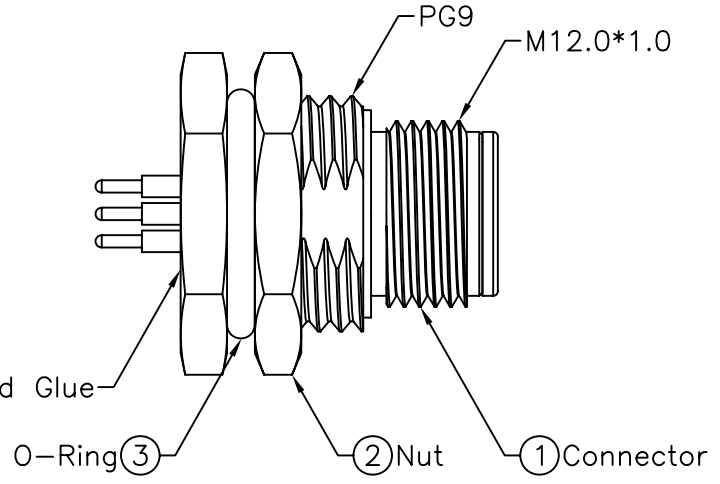
Recommended Panel Cut-Out



Pin Assignments Front View



5Pin Male Connector Male Pin PCB Layout



Note:

- * @C Important Dimension.
- * Waterproof Rate: IP68
- * Housing: Black, Nylon+GF
- * Male Pin: Copper Alloy, Gold Plated
- * Shield: Zinc Alloy, Nickel Plated
- * Nut: Zinc Alloy, Nickel Plated
- * O-Ring: Black, EPDM
- * For Panel Thickness Max 4.5mm
- * Nut Torque: 4-6 kgf.cm

UNIT:mm	TITLE M12 Conn Panel Screw 5Pin M Conn M Pin		 亮泰企業股份有限公司		ITEM NO LTW12-05PMMP-SF8001	DRAWN BY Rommel A. Vergara	DATE 2007/10/01
TOLERANCE .X ±0.25 .XX ±0.1 .XXX ±0.05 ANGLES ±1°	SCALE Free	SHEET 1 OF 1			DWG NO LTW12-05PMMP-SF8001	CHECKED BY Alan MJ Sundo	DATE 2007/10/02
REV. C	SIZE A4	@C :Inspection Item			CUSTOMER	APPROVED BY Cloud	DATE 2007/10/04

THIS DOCUMENT IS SUBJECT TO CHANGE WITHOUT NOTICE. IT IS CONFIDENTIAL AND A PROPERTY OF LTW. DISCLOSURE TO THIRD PARTY HAS TO BE AUTHORIZED BY LTW.