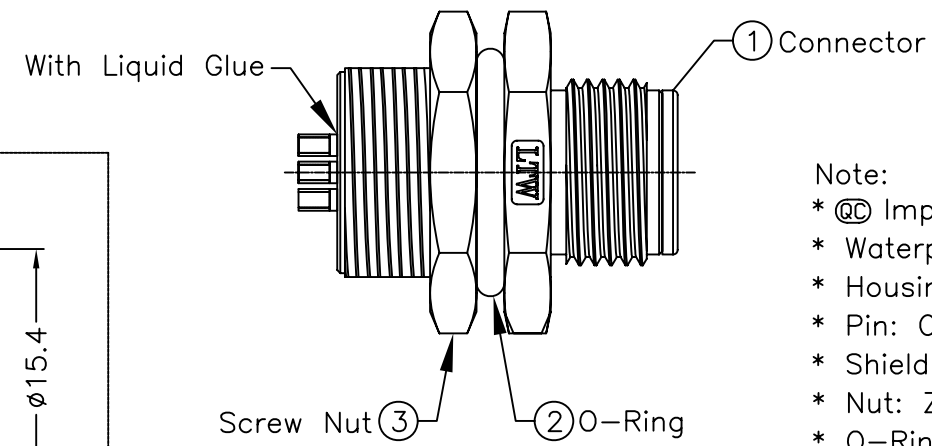
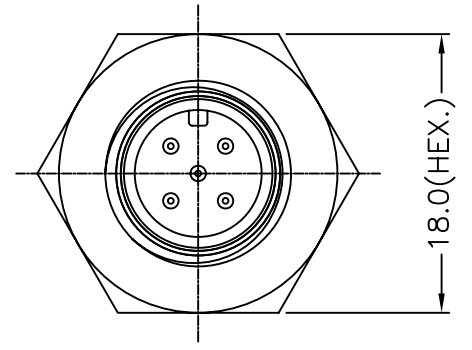
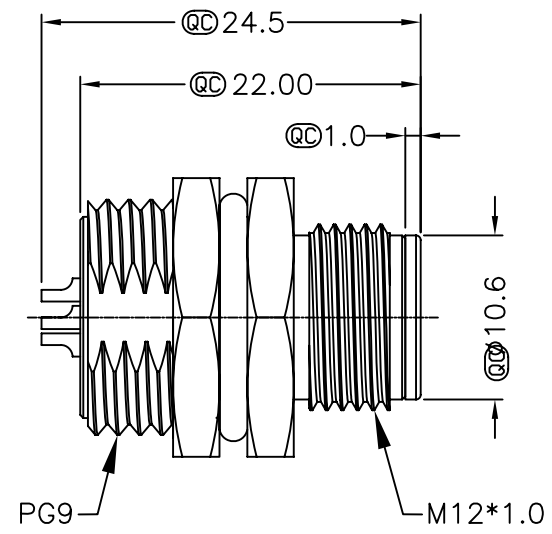
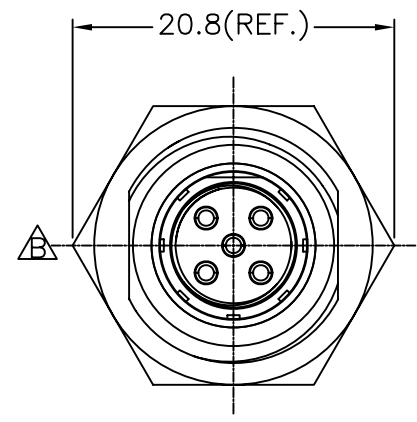
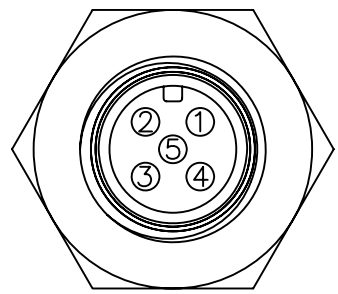


REV.	ECN NO.	DATE	SIGN	DESCRIPTION
C	LEN-7A0020	2007/10/01	Rommel A. Vergara	Add Note
B	LEN-790075	2007/09/10	Zhang Jin	Change Back View.

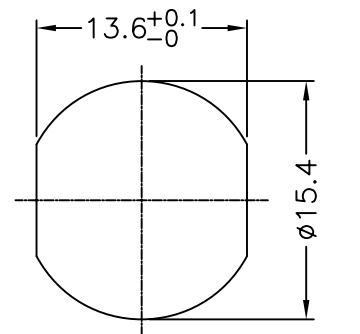
THIS DOCUMENT IS SUBJECT TO CHANGE WITHOUT NOTICE. IT IS CONFIDENTIAL AND A PROPERTY OF LTW. DISCLOSURE TO THIRD PARTY HAS TO BE AUTHORIZED BY LTW.



- Note:
- \* @C Important Dimension.
  - \* Waterproof Rate: IP68
  - \* Housing: Black, Nylon+GF
  - \* Pin: Copper Alloy, Gold Plated
  - \* Shield: Zinc Alloy, Nickel Plated
  - \* Nut: Zinc Alloy, Nickel Plated
  - \* O-Ring: Black, EPDM
  - \* For Panel Thickness Max 4.5mm
  - \* Nut Torque: 4-6 kgf.cm



Pin Assignments  
Front View



Recommended Panel Cut-Out

UNIT:mm		TITLE M12 Conn		<b>LTW</b> 亮泰企業股份有限公司		ITEM NO LTW12-05PMMS-SH8001	DRAWN BY Rommel A. Vergara	DATE 2007/10/01
TOLERANCE .X ±0.25 .XX ±0.1 .XXX ±0.05 ANGLES ±1°		Panel Screw 5Pin M Conn M Pin				DWG NO LTW12-05PMMS-SH8001	CHECKED BY Alan MJ Sundo	DATE 2007/10/02
SCALE Free		SHEET OF		Customer		APPROVED BY Cloud		DATE 2007/10/04
REV. C	SIZE A4	@C :Inspection Item				8 QP02C-01-01A2		