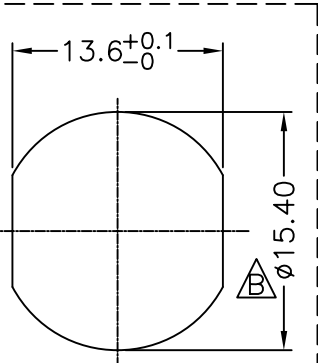
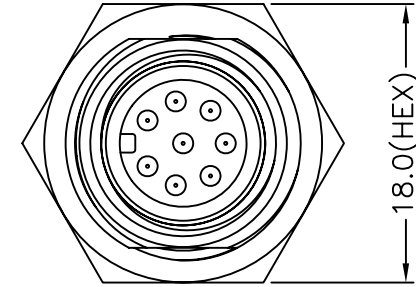
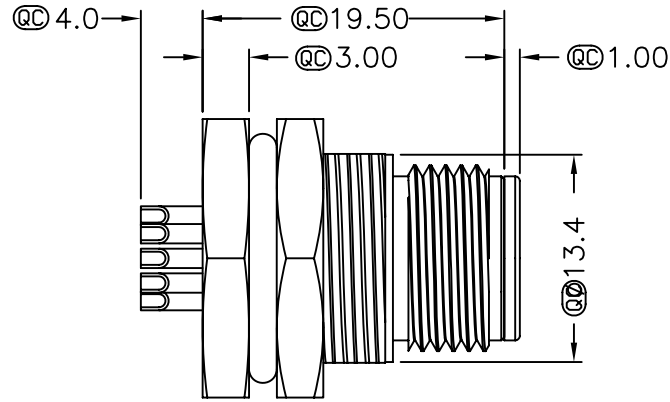
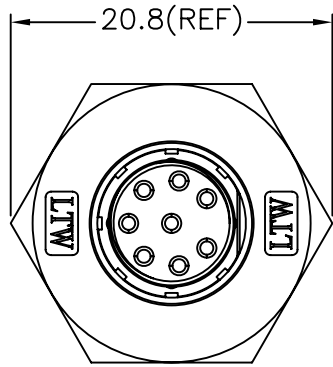
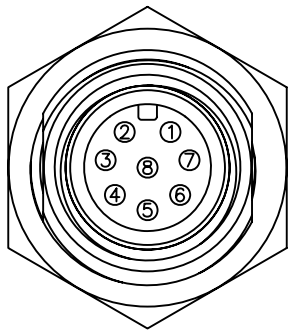




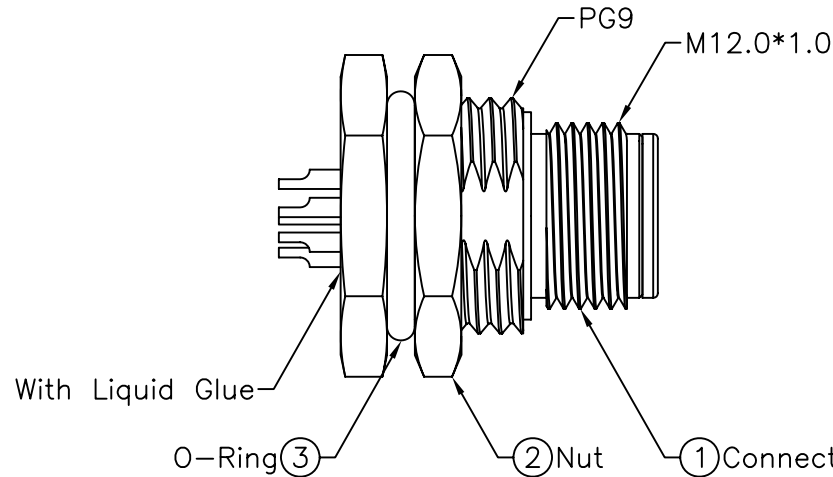
REV.	ECN NO.	DATE	SIGN	DESCRIPTION
B	LEN-750140	2007/05/09	Jason	Change Panel Cut-Out
C	LEN-7A0025	2007/10/01	Rommel A. Vergara	Add Note



Recommended Panel Cut-Out



Pin Assignments Front View



Note:

- \* @C Important Dimension.
- \* Waterproof Rate: IP68
- \* Housing: Black, Nylon+GF
- \* Male Pin: Copper Alloy, Gold Plated
- \* Shield: Zinc Alloy, Nickel Plated
- \* Nut: Zinc Alloy, Nickel Plated
- \* O-Ring: Black, EPDM
- \* For Panel Thickness Max 4.5mm
- \* Nut Torque: 4-6 kgf.cm

UNIT:mm	
TOLERANCE	
.X	±0.25
.XX	±0.1
.XXX	±0.05
ANGLES	±1°

TITLE		M12 Conn	
Panel Screw 8Pin M Conn M Pin			
SCALE	Free	SHEET	1 OF 1
REV.	C	SIZE	A4
		@C	:Inspection Item

**LTW**  
亮泰企業股份有限公司

ITEM NO	LTW12-08PMMS-SF8001
DWG NO	LTW12-08PMMS-SF8001
CUSTOMER	

DRAWN BY	Rommel A. Vergara
CHECKED BY	Alan MJ Sundo
APPROVED BY	Cloud

DATE	2007/10/01
DATE	2007/10/01
DATE	2007/10/04

THIS DOCUMENT IS SUBJECT TO CHANGE WITHOUT NOTICE. IT IS CONFIDENTIAL AND A PROPERTY OF LTW. DISCLOSURE TO THIRD PARTY HAS TO BE AUTHORIZED BY LTW.