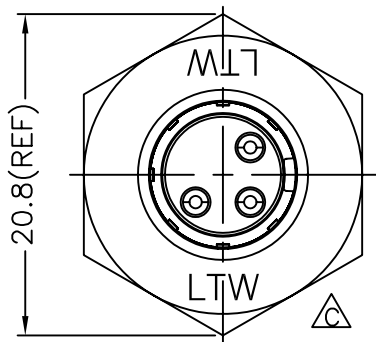
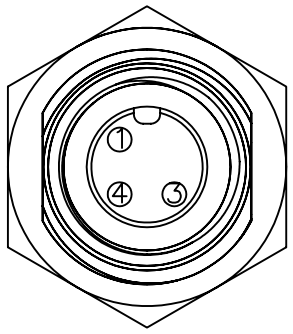
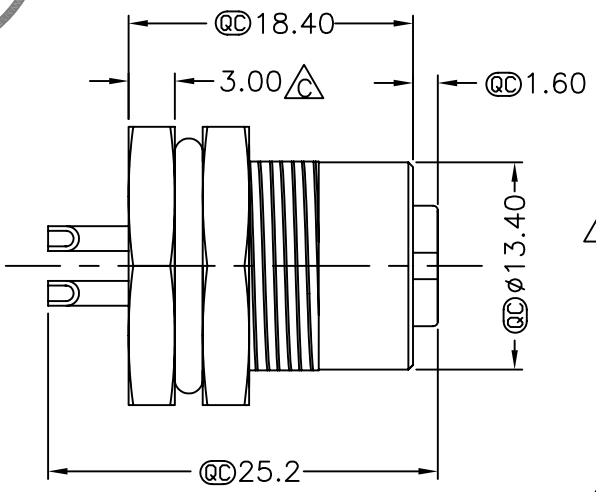
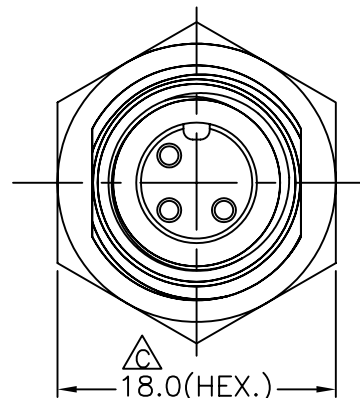
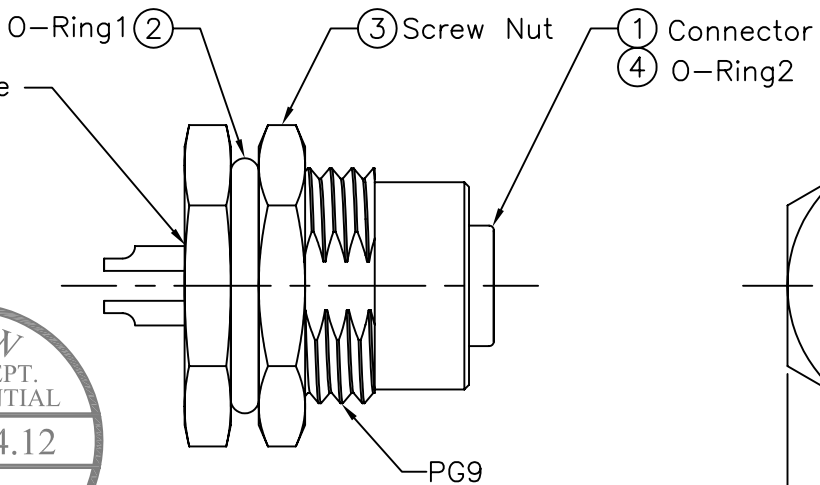


LTW
CONFIDENTIAL
2010.03.30
R&D DEPT.

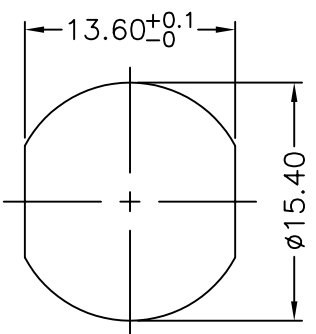
REV.	ECN NO.	DATE	SIGN	DESCRIPTION
B	LEN-7A0010	2007/09/29	Myrdal	Added Note
C	LEN-040042	2010/03/30	Vicky	REF. TO ECR/N.NOTE.



LTW
DCC. DEPT.
CONFIDENTIAL
2010.04.12
ISSUED



Pin Assignment
Front View



Recommended Panel Cut-Out

- Note:
- * @C Important Dimension.
 - △* Waterproof Rate:IP68.
IP68:1M Depth Of Water In 24hours.
 - * Housing:Nylon+GF,Black.
 - * Female Pin:Copper Alloy,Gold Plated.
 - * Shield:Zinc Alloy,Nickel Plated.
 - * Nut:Zinc Alloy,Nickel Plated.
 - * O-Ring1:EPDM,Black.
 - △* O-Ring2:Viton,Green.
 - * For Panel Thickness Max 4.5mm.
 - △* Nut Torque:4-6 Kgf.cm

UNIT:mm	
TOLERANCE	
.X	±0.25
.XX	±0.1
.XXX	±0.05
ANGLES	±1°

TITLE	M12 Conn	
	Panel Screw 3Pin F Conn F Pin	
SCALE	Free	SHEET 1 OF 1
REV. C	SIZE A4	@C :Inspection Item

LTW
亮泰企業股份有限公司

ITEM NO	LTW12-03PFFS-SF8001
DWG NO	LTW12-03PFFS-SF8001
CUSTOMER	

DRAWN BY	Vicky
CHECKED BY	Simon
APPROVED BY	Lion

DATE	2010/03/30
DATE	2010/03/30
DATE	2010/03/30

THIS DOCUMENT IS SUBJECT TO CHANGE WITHOUT NOTICE. IT IS CONFIDENTIAL AND A PROPERTY OF LTW. DISCLOSURE TO THIRD PARTY HAS TO BE AUTHORIZED BY LTW.