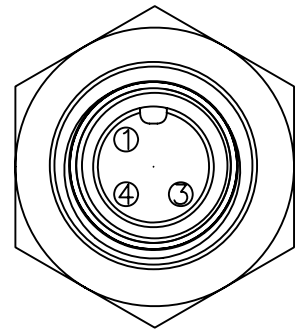
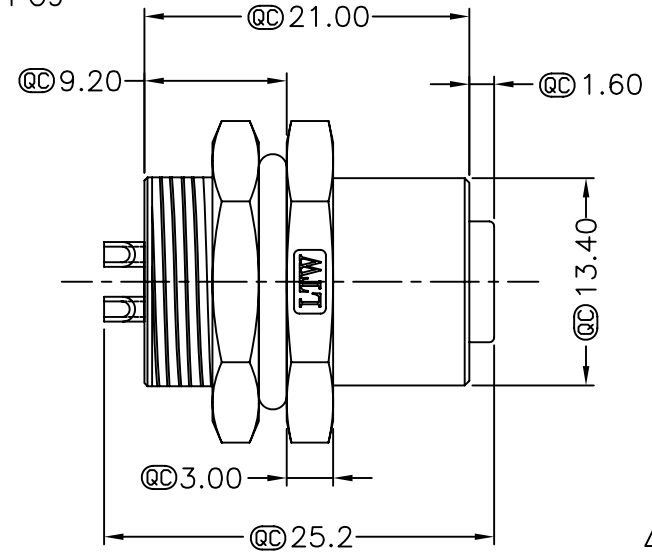
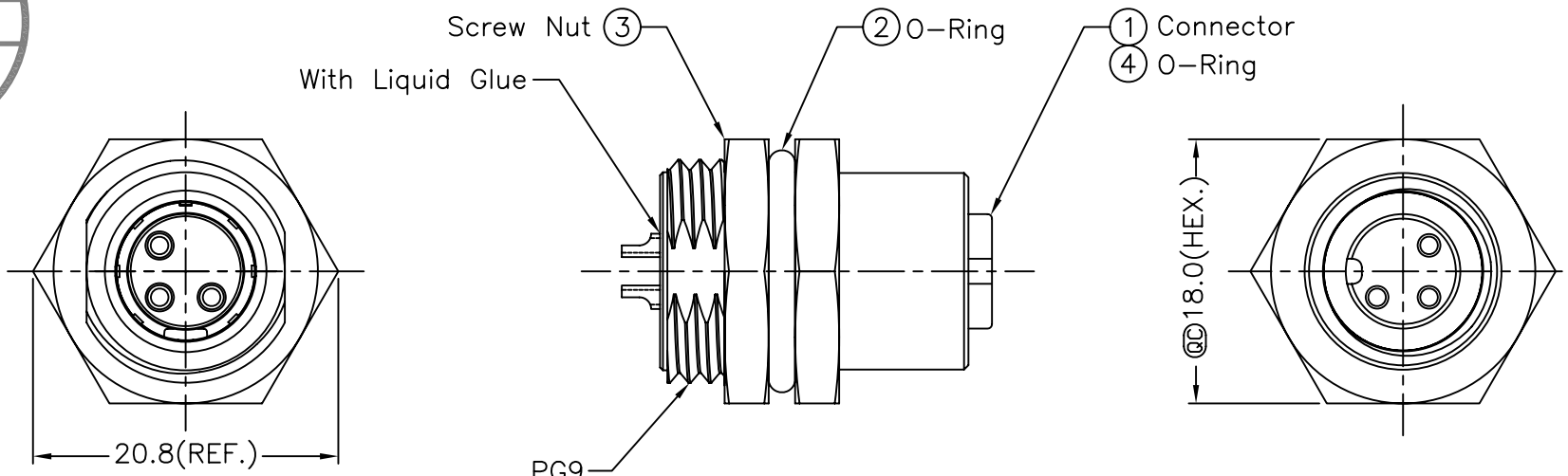
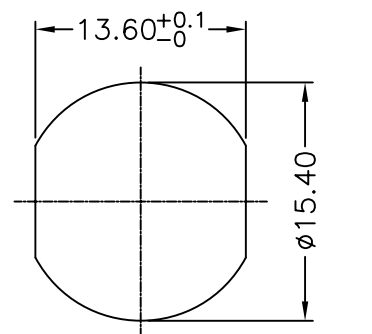


5	6	7	8
REV. B	ECN NO. LEN-7A0006	DATE 2007/09/29	SIGN Myrdal
			DESCRIPTION Added Note



Pin Assignment Front View



Recommended Panel Cut-Out

- Note:
- * @C Important Dimension.
 - * Waterproof Rate: IP68
 - * Housing: Black, Nylon+GF
 - * Pin: Copper Alloy, Gold Plated
 - * Shield: Zinc Alloy, Nickel Plated
 - * Nut: Zinc Alloy, Nickel Plated
 - * O-Ring: Black, EPDM
 - * For Panel Thickness Max 4.5mm
 - * Nut Torque: 4-6 kgf.cm

UNIT:mm	
TOLERANCE	
.X	±0.25
.XX	±0.1
.XXX	±0.05
ANGLES	±1°

TITLE		M12 Conn	
Panel Screw 3Pin F Conn F Pin			
SCALE	Free	SHEET	1 OF 1
REV. B	SIZE A4	@C :Inspection Item	

LTW
亮泰企業股份有限公司

ITEM NO	LTW12-03PFFS-SH8001
DWG NO	LTW12-03PFFS-SH8001
CUSTOMER	

DRAWN BY	Myrdal Manzano
CHECKED BY	Alan MJ Sundo
APPROVED BY	Cloud

DATE	2007/09/29
DATE	2007/10/01
DATE	2007/10/04

THIS DOCUMENT IS SUBJECT TO CHANGE WITHOUT NOTICE. IT IS CONFIDENTIAL AND A PROPERTY OF LTW. DISCLOSURE TO THIRD PARTY HAS TO BE AUTHORIZED BY LTW.