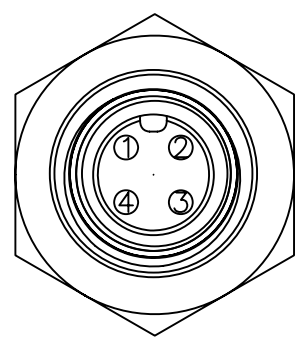
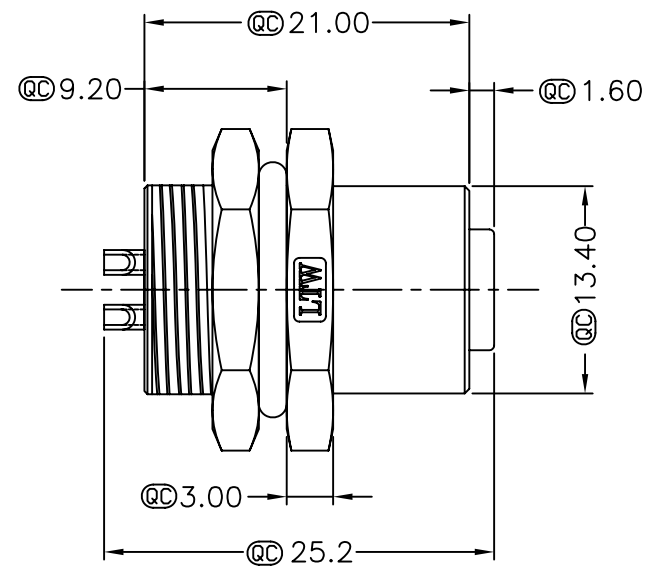
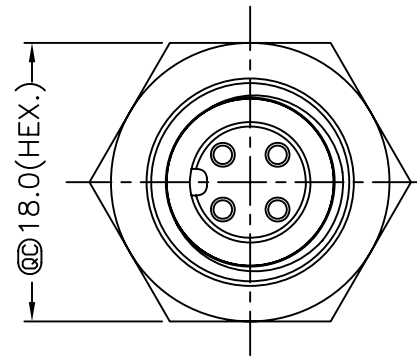
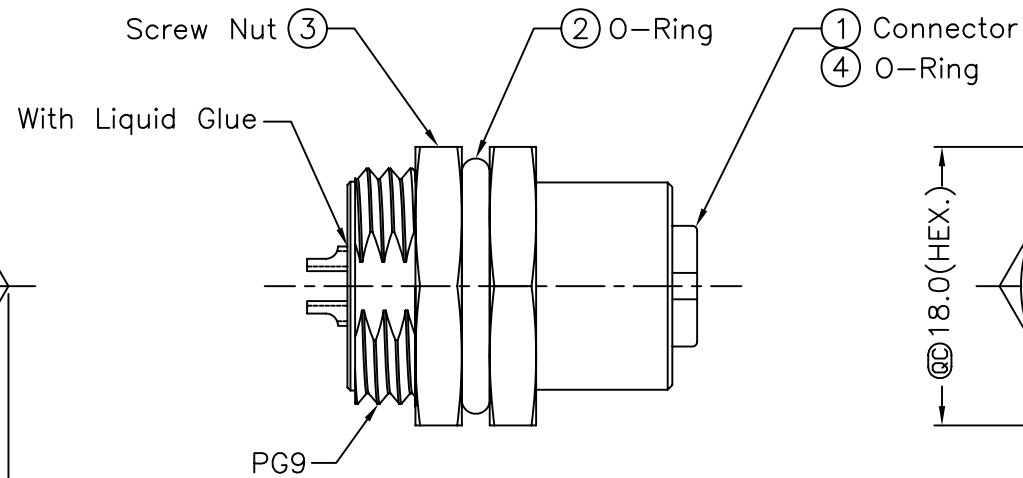
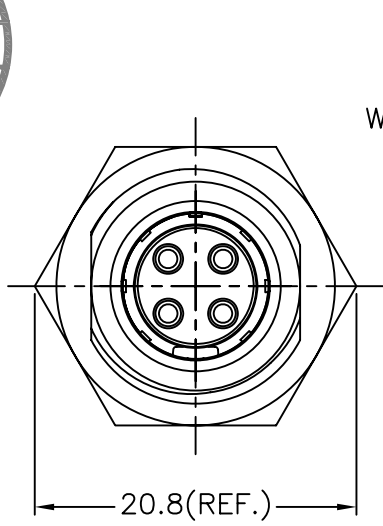
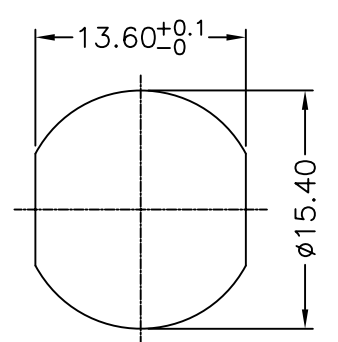


5	6	7	8
REV. B	ECN NO. LEN-7A0007	DATE 2007/09/29	SIGN Myrdal
			DESCRIPTION Added Note



Pin Assignment Front View



Recommended Panel Cut-Out

- Note:
- \* @C Important Dimension.
  - \* Waterproof Rate: IP68
  - \* Housing: Black, Nylon+GF
  - \* Pin: Copper Alloy, Gold Plated
  - \* Shield: Zinc Alloy, Nickel Plated
  - \* Nut: Zinc Alloy, Nickel Plated
  - \* O-Ring: Black, EPDM
  - \* For Panel Thickness Max 4.5mm
  - \* Nut Torque: 4-6 kgf.cm

UNIT:mm		TITLE M12 Conn		ITEM NO LTW12-04PFFS-SH8001		DRAWN BY Myrdal Manzano		DATE 2007/09/29	
TOLERANCE .X ±0.25 .XX ±0.1 .XXX ±0.05 ANGLES ±1°		Panel Screw 4Pin F Conn F Pin		DWG NO LTW12-04PFFS-SH8001		CHECKED BY Alan MJ Sundo		DATE 2007/10/01	
SCALE Free		SHEET 1 OF 1		CUSTOMER		APPROVED BY Cloud		DATE 2007/10/04	
REV. B		SIZE A4		@C :Inspection Item				8 QP02C-01-01A2	

**LTW**  
亮泰企業股份有限公司

THIS DOCUMENT IS SUBJECT TO CHANGE WITHOUT NOTICE. IT IS CONFIDENTIAL AND A PROPERTY OF LTW. DISCLOSURE TO THIRD PARTY HAS TO BE AUTHORIZED BY LTW.