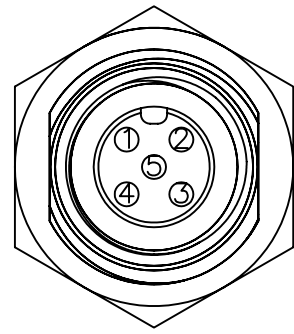
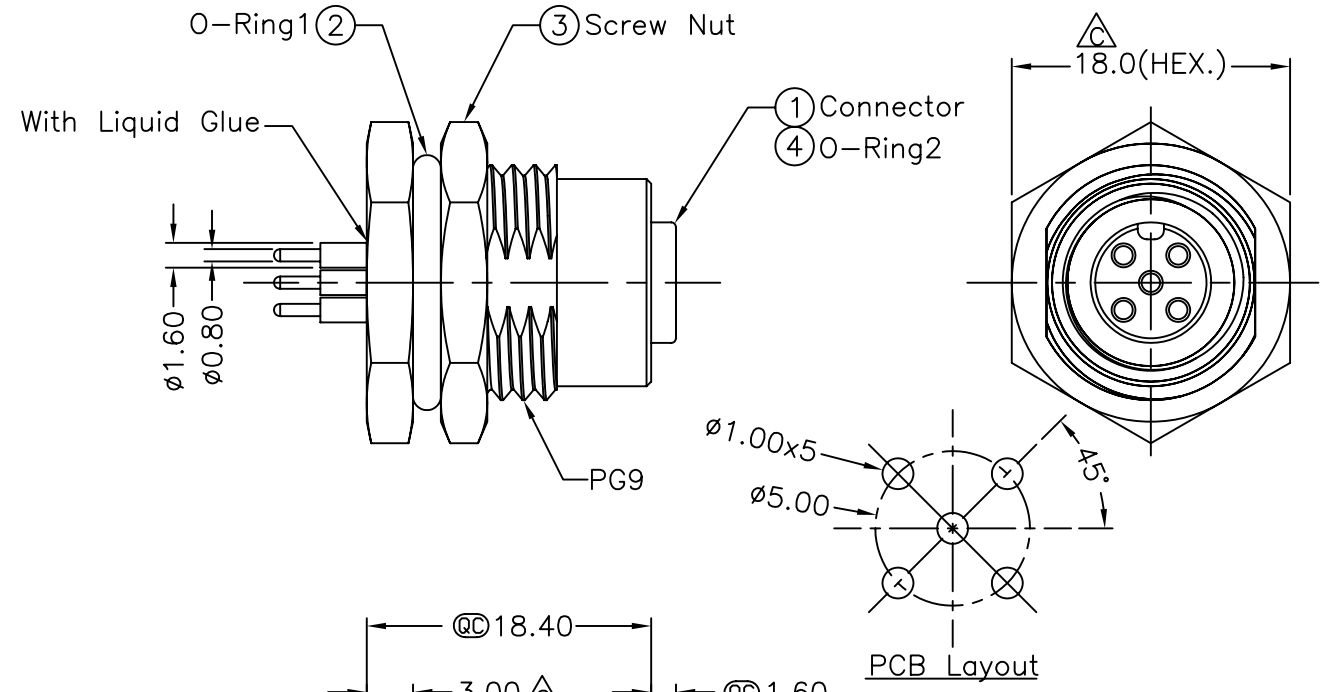
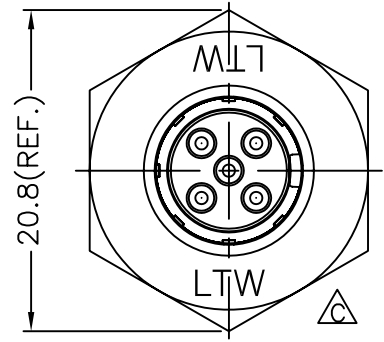


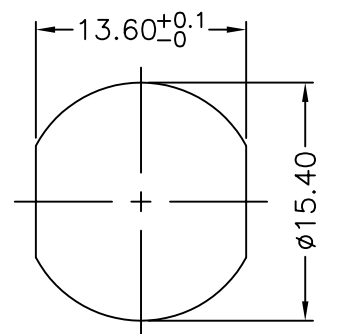
| | | | | |
|------|------------|------------|-------|---------------------|
| REV. | ECN NO. | DATE | SIGN | DESCRIPTION |
| B | LEN-7A0016 | 2007/10/01 | Zeus | Added Note |
| C | LEN-040045 | 2010/03/30 | Vicky | REF. TO ECR/N.NOTE. |

LTW
DCC. DEPT.
CONFIDENTIAL
2010.04.12
ISSUED

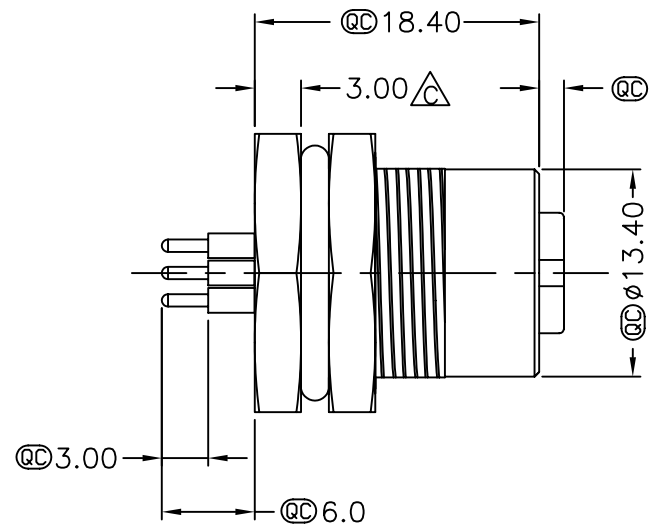
LTW
CONFIDENTIAL
2010.03.30
R&D DEPT.



Pin Assignment
Front View



Recommended Panel Cut-Out



- Note:
- * @@Important Dimension.
 - △* Waterproof Rate:IP68.
IP68:1M Depth Of Water In 24hours.
 - * Housing:Nylon+GF,Black.
 - * Female Pin:Copper Alloy,Gold Plated.
 - * Shield:Zinc Alloy,Nickel Plated.
 - * Nut:Zinc Alloy,Nickel Plated.
 - * O-Ring1:EPDM,Black.
 - △* O-Ring2:Viton,Green.
 - * For Panel Thickness Max 4.5mm.
 - △* Nut Torque:4-6 Kgf.cm

| | |
|-----------|-------|
| UNIT:mm | |
| TOLERANCE | |
| .X | ±0.25 |
| .XX | ±0.1 |
| .XXX | ±0.05 |
| ANGLES | ±1° |

| | | |
|--------|-------------------------------|---------------------|
| TITLE | M12 Conn | |
| | Panel Screw 5Pin F Conn F Pin | |
| SCALE | Free | SHEET 1 OF 1 |
| REV. C | SIZE A4 | QC :Inspection Item |

LTW
亮泰企業股份有限公司

| | |
|----------|---------------------|
| ITEM NO | LTW12-05PFFP-SF8001 |
| DWG NO | LTW12-05PFFP-SF8001 |
| CUSTOMER | |

| | |
|-------------|-------|
| DRAWN BY | Vicky |
| CHECKED BY | Simon |
| APPROVED BY | Lion |

| | |
|------|------------|
| DATE | 2010/03/30 |
| DATE | 2010/03/30 |
| DATE | 2010/03/30 |

THIS DOCUMENT IS SUBJECT TO CHANGE WITHOUT NOTICE. IT IS CONFIDENTIAL AND A PROPERTY OF LTW. DISCLOSURE TO THIRD PARTY HAS TO BE AUTHORIZED BY LTW.