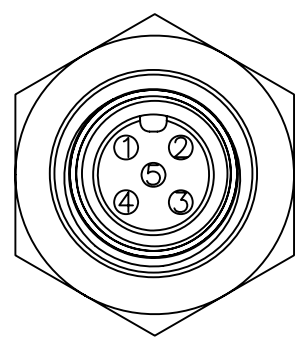
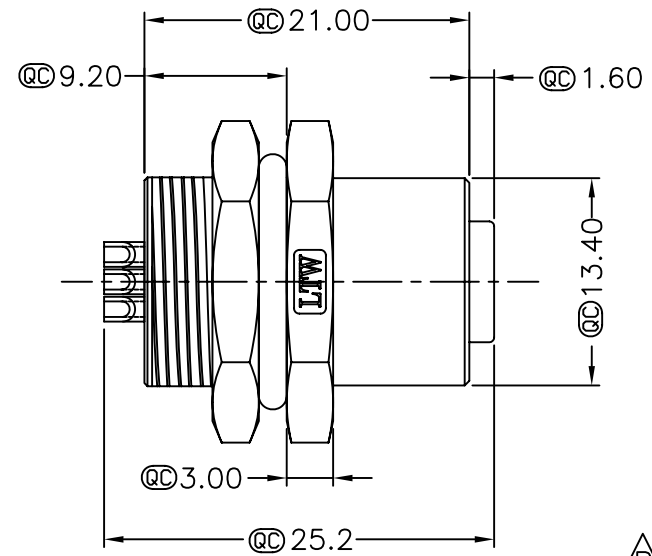
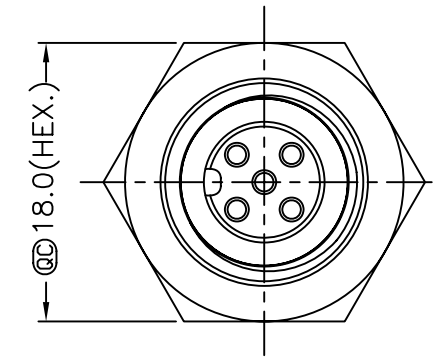
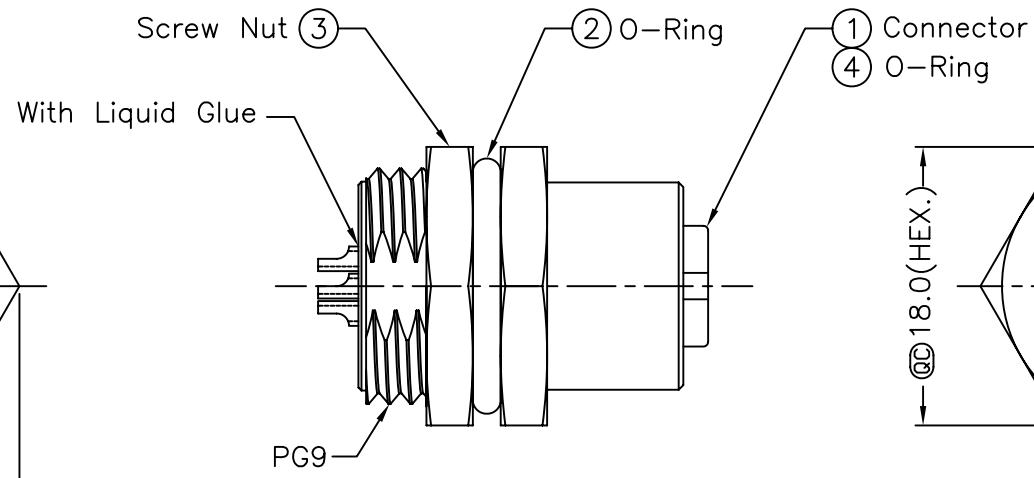
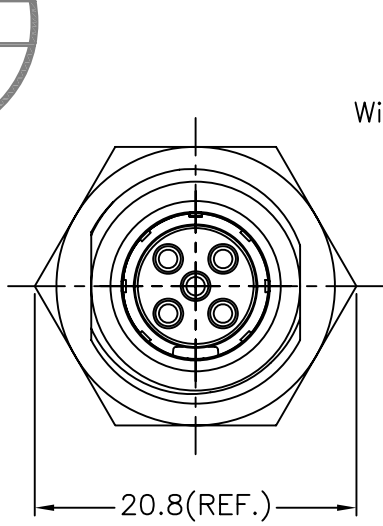
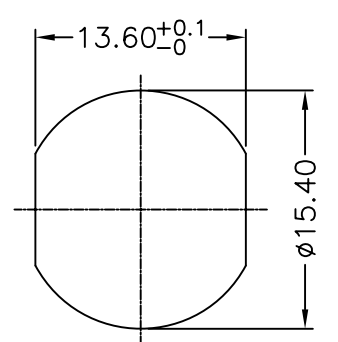


5	6	7	8
REV. B	ECN NO. LEN-7A0008	DATE 2007/01/10	SIGN Zeus
			DESCRIPTION Added Note



Pin Assignment Front View



Recommended Panel Cut-Out

Note:

- * @C Important Dimension.
- * Waterproof Rate: IP68
- * Housing: Black, Nylon+GF
- * Pin: Copper Alloy, Gold Plated
- * Shield: Zinc Alloy, Nickel Plated
- * Nut: Zinc Alloy, Nickel Plated
- * O-Ring: Black, EPDM
- * For Panel Thickness Max 4.5mm
- * Nut Torque: 4-6 kgf.cm



UNIT:mm	
TOLERANCE	
.X	±0.25
.XX	±0.1
.XXX	±0.05
ANGLES	±1°

TITLE		M12 Conn	
Panel Screw 5Pin F Conn F Pin			
SCALE	Free	SHEET	1 OF 1
REV. B	SIZE A4	@C :Inspection Item	

LTW
亮泰企業股份有限公司

ITEM NO	LTW12-05PFFS-SH8001
DWG NO	LTW12-05PFFS-SH8001
CUSTOMER	

DRAWN BY	Zeus Bautista
CHECKED BY	Alan MJ Sundo
APPROVED BY	Cloud

DATE	2007/10/01
DATE	2007/10/02
DATE	2007/10/04

THIS DOCUMENT IS SUBJECT TO CHANGE WITHOUT NOTICE. IT IS CONFIDENTIAL AND A PROPERTY OF LTW. DISCLOSURE TO THIRD PARTY HAS TO BE AUTHORIZED BY LTW.