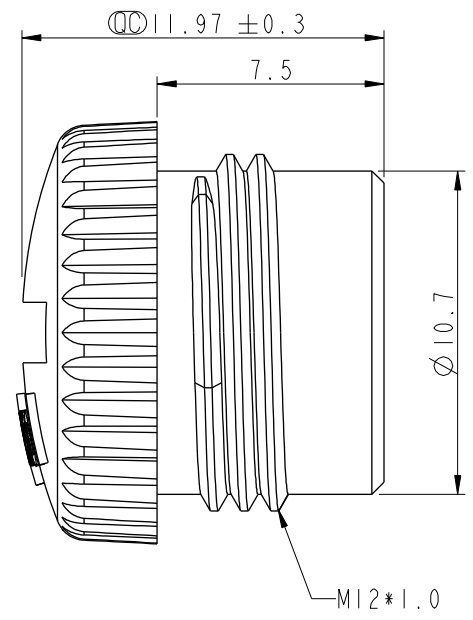
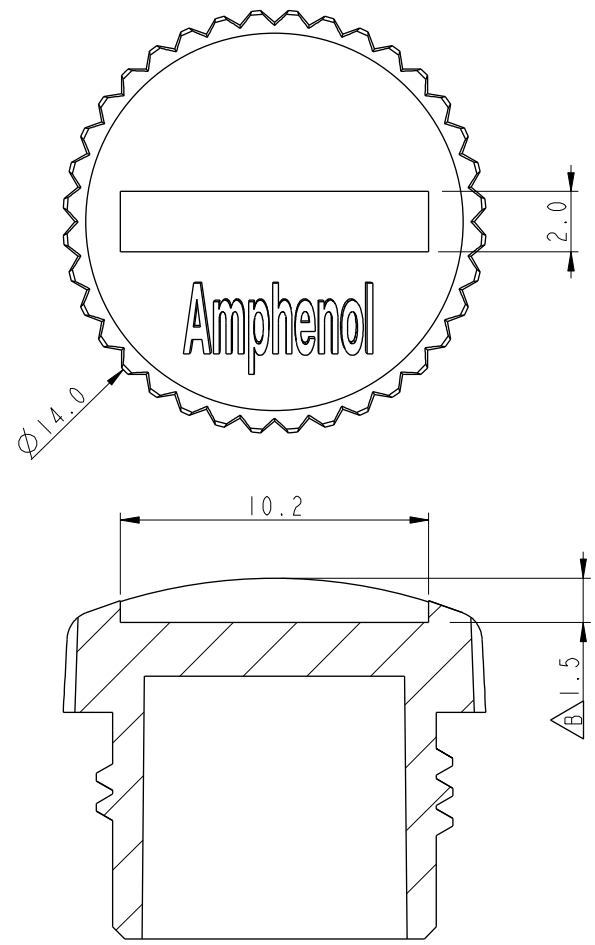


THIS DOCUMENT IS SUBJECT TO CHANGE WITHOUT NOTICE. IT IS CONFIDENTIAL AND A PROPERTY OF Amphenol LTW. DISCLOSURE TO THIRD PARTY HAS TO BE AUTHORIZED BY Amphenol LTW.

REV.	ECN NO.	DATE	SIGN	DESCRIPTION
A	Initial Release	2013/09/12	Vicky	Old Item No. CAP-WBDMFSAI
B	LEN1490175	2014/09/11	Vicky	Update Dimension

ALTW
CONFIDENTIAL
 2014-09-11
R&D DEPT.



Note:
 * CC Important Dimension.
 * Waterproof Rate: IP67
 * Cap: PC+ABS, Black

UNIT: mm		
TOLERANCE	.X ±0.25	
	.XX ±0.1	
	.XXX ±0.05	
ANGLES	±1°	

TITLE Waterproof Cap M12*1.0P For Female Conn Screw Type			
SCALE 4:1	SIZE A4	SHEET 1 OF 1	
REV. B	WC-REV. A.1	CC : Inspection item	

Amphenol LTW
安費諾亮泰企業股份有限公司

ITEM NO. CAP-WBDFSMAI	DRAWN BY Vicky	DATE 2014-09-11
DWG NO. CAP-WBDFSMAI	CHECKED BY Sam	DATE 2014-09-11
CUSTOMER ALTW	APPROVED BY Rita	DATE 2014-09-11