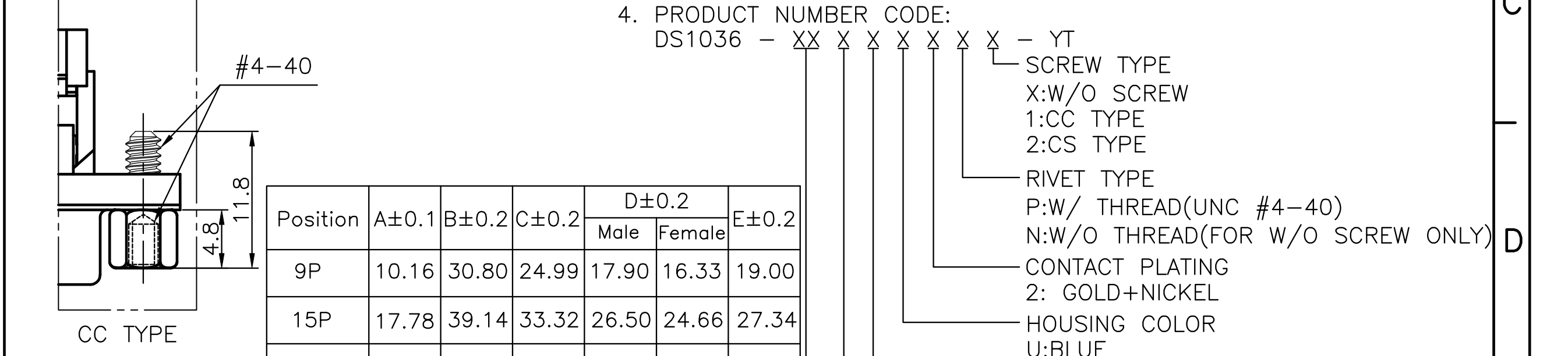


REV.	DESCRIPTION	DRAWN	CHECKED	APPROVED
A	NEW RELEASE	YCH 02/01/07	~	LJC 02/01/07
B	整理圖面	YCH 08/15/07	~	LJC 08/15/07
D	Drawing Update	JLZ 07/25/16'	~	

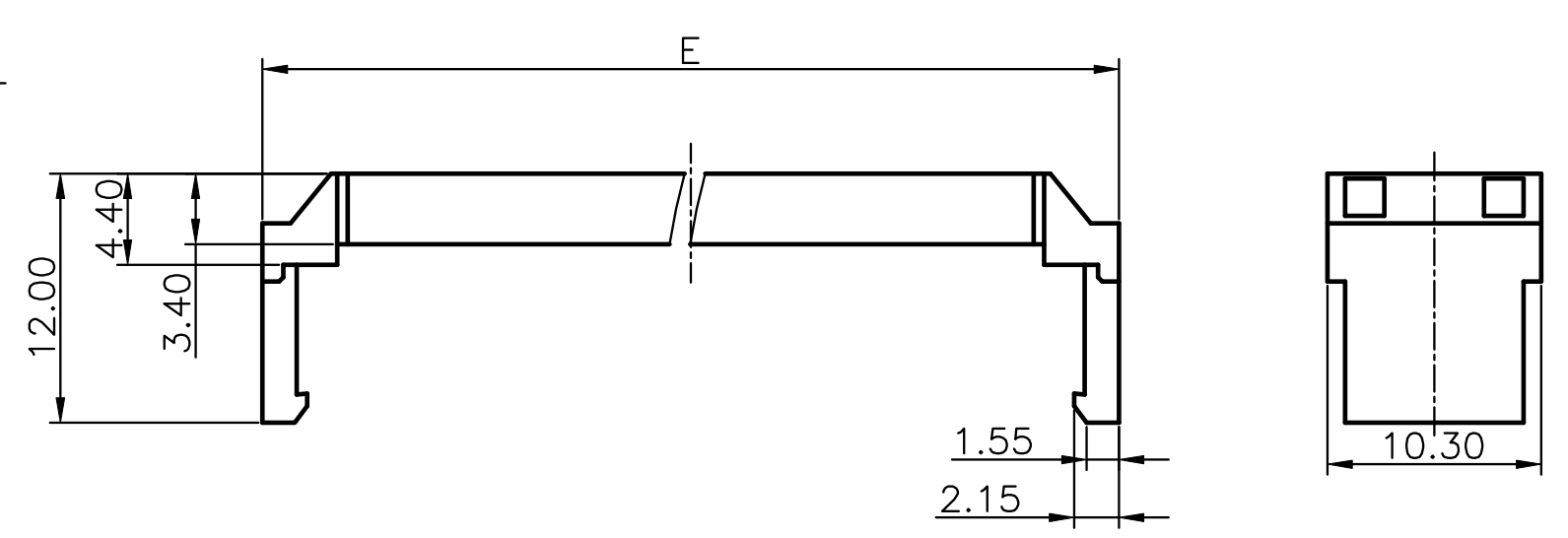
NOTES:

- ELECTRICAL CHARACTERISTICS:
 - CONTACT RESISTANCE: 30m Ω Max.INITIAL.
 - DIELECTRIC WITHSTANDING VOLTAGE:500V AC(rms) FOR 1 MINUTE.
 - INSULATION RESISTANCE:1000M Ω Min.
- MECHANICAL CHARACTERISTICS:
 - DURABILITY: 300 CYCLES.
- ENVIRONMENT CHARACTERISTICS:
 - TEMPERATURE RANGE: -40°C~+105°C.
- PRODUCT NUMBER CODE:
DS1036 - XX X X X X X X - YT



Position	D±0.2			E±0.2	
	A±0.1	B±0.2	C±0.2	Male	Female
9P	10.16	30.80	24.99	17.90	16.33
15P	17.78	39.14	33.32	26.50	24.66
25P	30.48	53.04	47.04	40.00	38.38
37P	45.72	69.32	63.50	56.50	54.84

SCREW TYPE
X:W/O SCREW
1:CC TYPE
2:CS TYPE
RIVET TYPE
P:W/ THREAD(UNC #4-40)
N:W/O THREAD(FOR W/O SCREW ONLY)
CONTACT PLATING
2: GOLD+NICKEL
HOUSING COLOR
U:BLUE
B:BLACK
STRAIN RELIEF
P:W/
N:W/O
CONNECTOR TYPE
M:MALE
F:FEMALE
No.OF CONTACTS
09:9pos 15:15pos
25:25pos 37:37pos



GENERAL TOLERANCE	ANGLE TOLERANCE	PROJECTION	TITLE	
X. ±0.60	X. ±3°	UNITS	I.D.C D-SUB	
.X ±0.38	.X ±2°	SHEET SIZE	A4	SERIES DS1036 SERIES
.XX ±0.25	.XX ±1°	晨翔电子有限公司 CONNFLY® CONNFLY ELECTRONIC CO., LTD		
DRAWING TYPE	CUSTOMER			
SCALE	1:1 SHEET 1 OF 1			
DRAWING NO.	C-DS1036-XXXXXXX-YT-D			