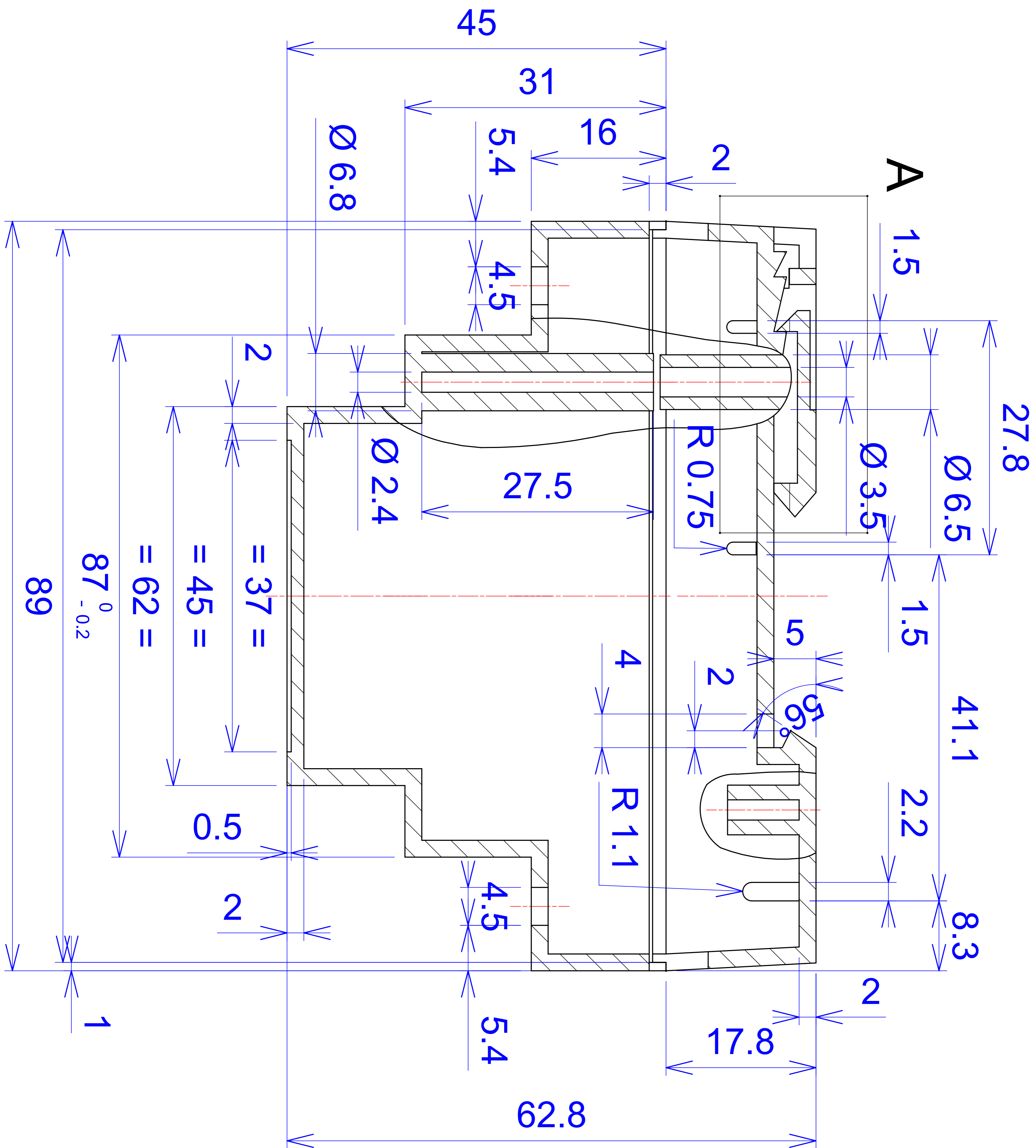
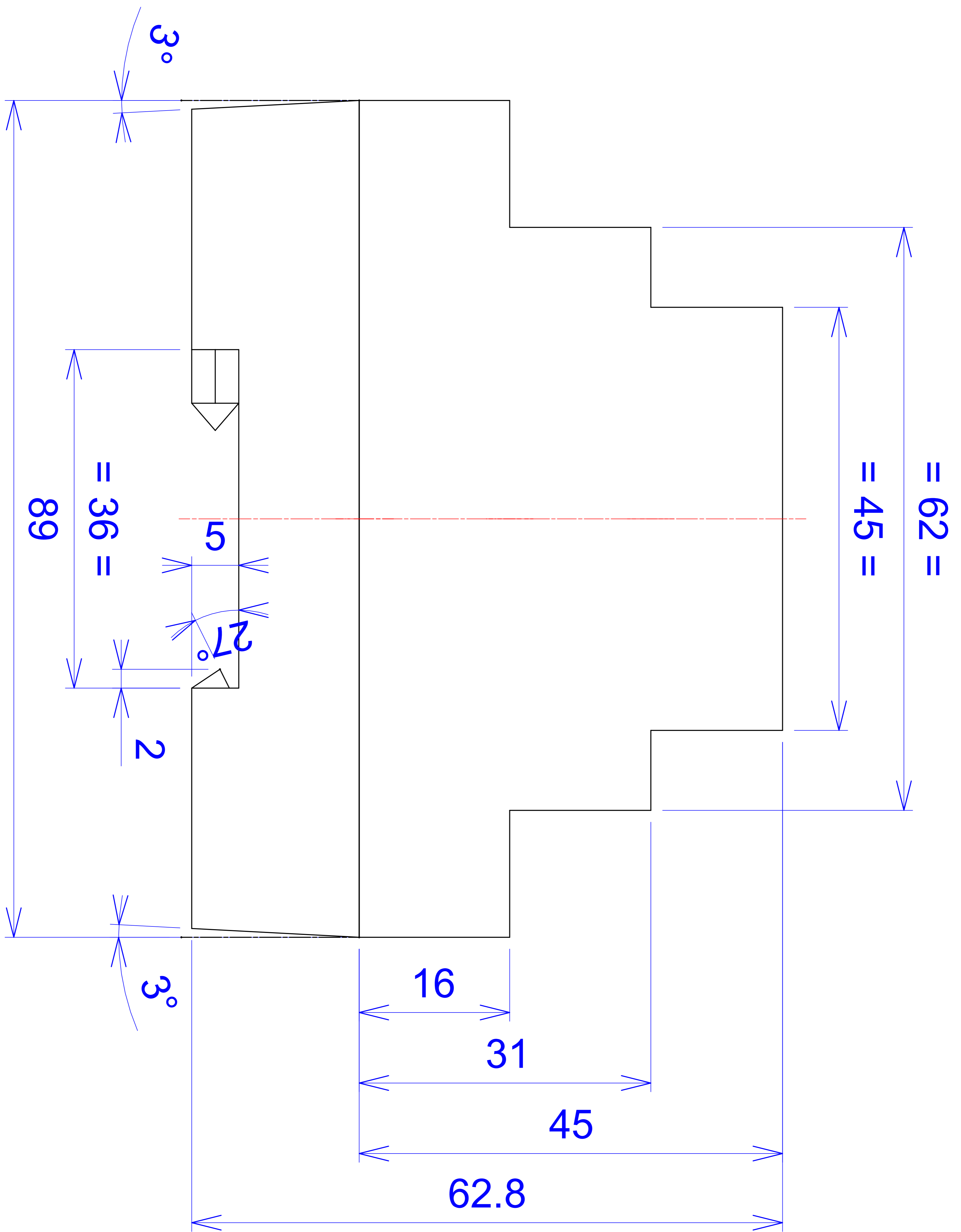
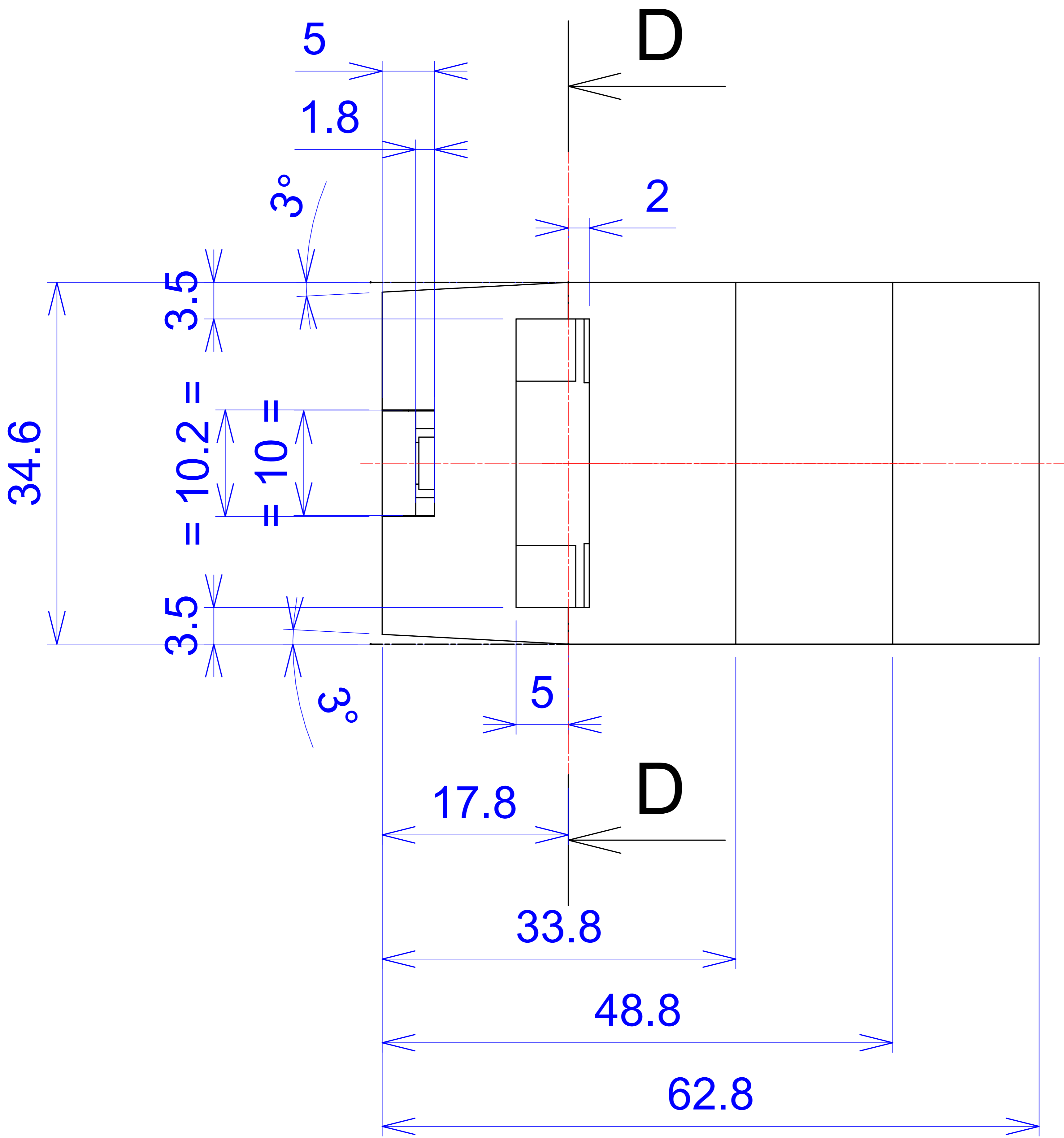
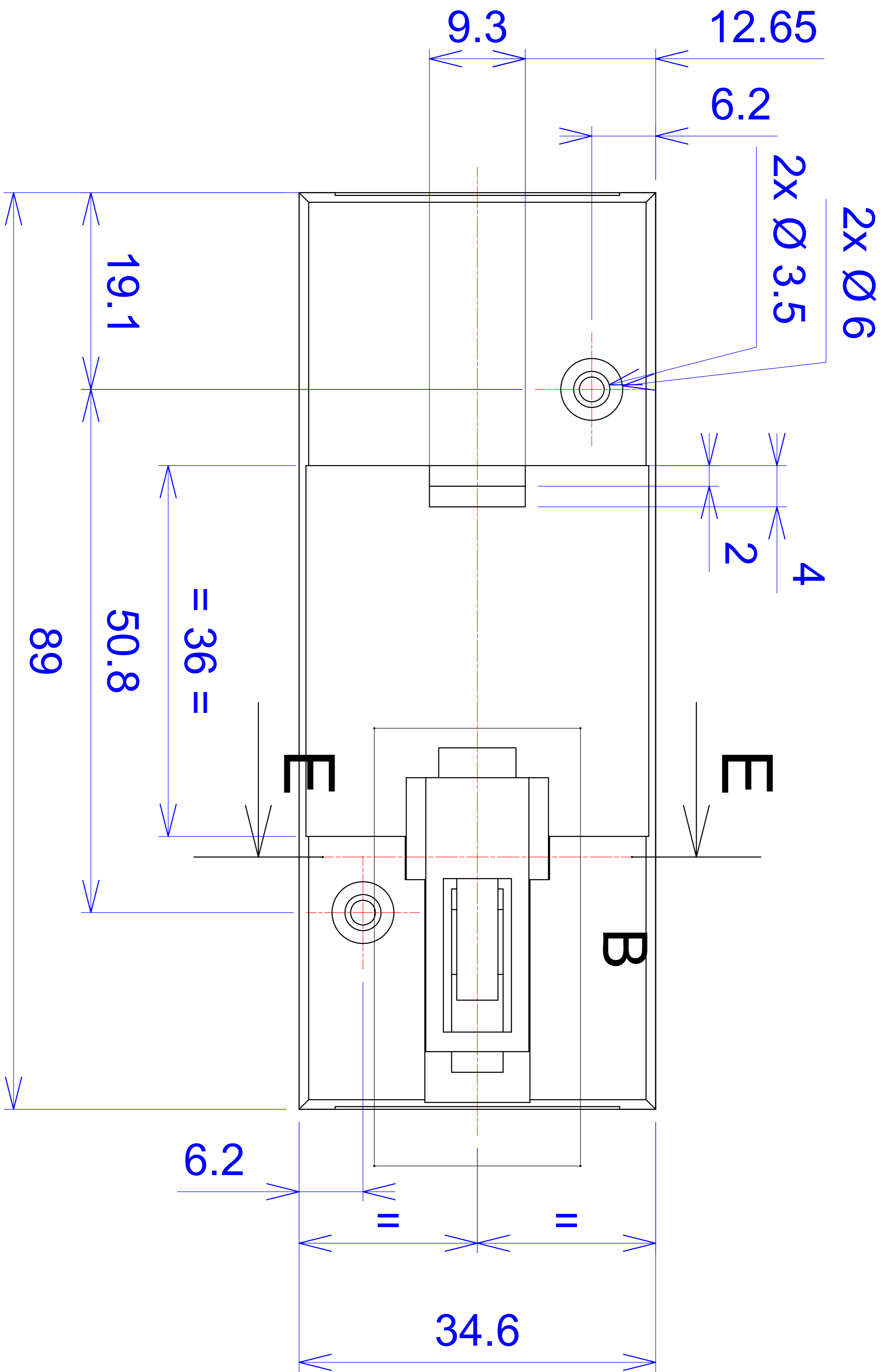


A - A

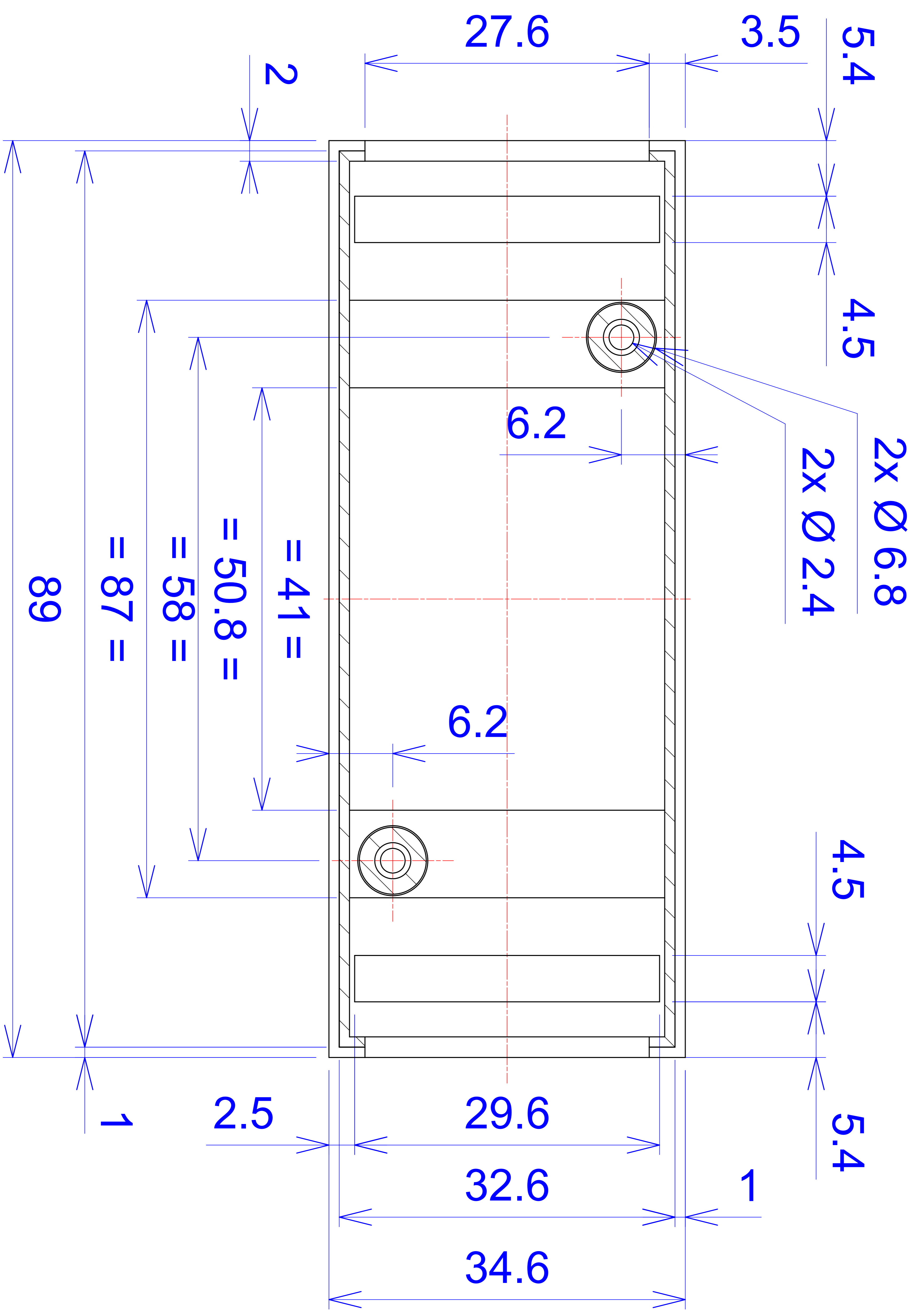




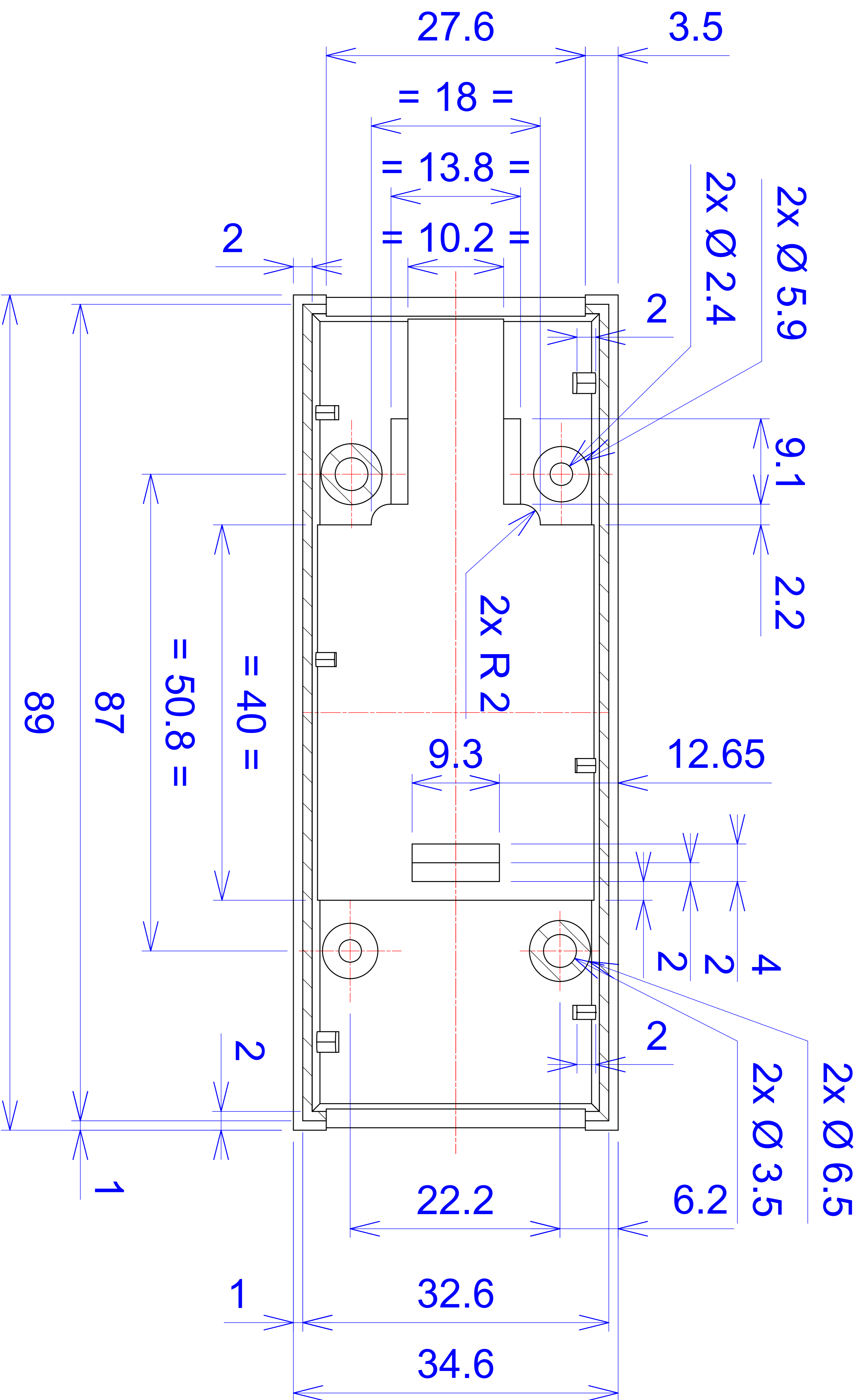




C - C



D - D



E-E

C

