



## 型号说明 Ordering Information

MTS-102-A1



## 技术特性 Specification

- 规格 Rating: 6A 125VAC; 3A 250VAC
  - 接触电阻 Contact Resistance: 20mΩ max
  - 绝缘电阻 Insulation Resistance: 500VDC 1000MΩ min
  - 耐电压 Dielectric Strength: 1500VAC, 1Minute
  - 操作温度 Operating Temperature: -25°C ~ +85°C
  - 电气寿命 Electrical Life: 10,000 Cycles
- 基座颜色 Base color

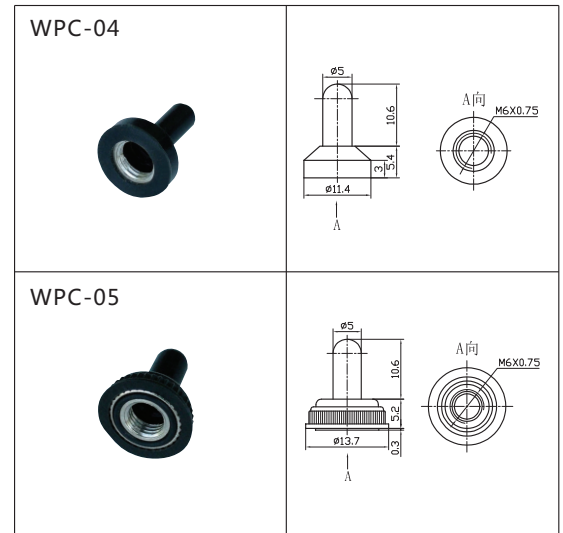
## 电路特性 Circuitry trait

型号 Model No	电路特性 Circuitry trait			类型 Type	端子数 Terminals
MTS-101	ON	—	OFF	SPST	2P
MTS-102	ON	—	ON	SPDT	3P
MTS-112	ON	—	(ON)	SPDT	3P
MTS-103	ON	OFF	ON	SPDT	3P
MTS-113	ON	OFF	(ON)	SPDT	3P
MTS-123	(ON)	OFF	(ON)	SPDT	3P

材料 Material	基座颜色 Base color	
塑料 PBT	蓝 Blue	
电木 Bakelite	红 Red	黑 Black

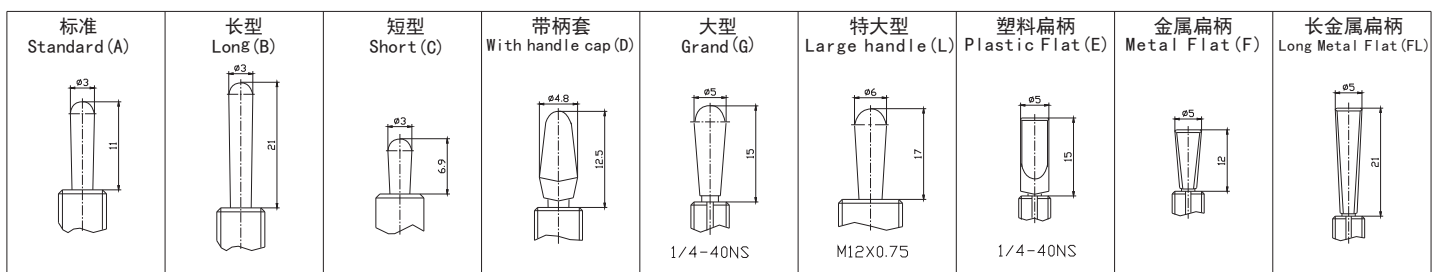
型号 Model No	电路特性 Circuitry trait			类型 Type	端子数 Terminals
MTS-201	ON	—	OFF	DPST	4P
MTS-202	ON	—	ON	DPDT	6P
MTS-212	ON	—	(ON)	DPDT	6P
MTS-203	ON	OFF	ON	DPDT	6P
MTS-213	ON	OFF	(ON)	DPDT	6P
MTS-223	(ON)	OFF	(ON)	DPDT	6P

## 防水帽 Water proof cap

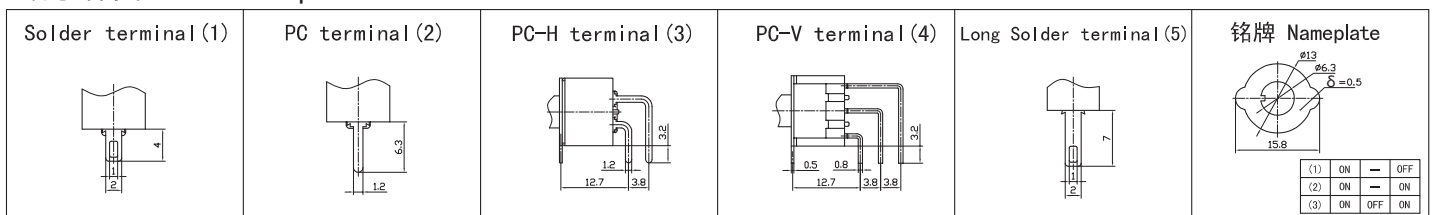


( ) 回弹指示 Indicates Momentary

## 手柄种类 Handle options



## 端子种类 Terminal options





# 小型钮子开关 Miniature Toggle Switch

# MTS Series

	<p><b>MTS-101</b> ON-OFF SPST 2P</p>	
	<p><b>MTS-102</b> ON-ON <b>MTS-103</b> ON-OFF-ON SPDT 3P</p>	
	<p><b>MTS-201</b> ON-OFF DPST 4P</p>	
	<p><b>MTS-202</b> ON-ON <b>MTS-203</b> ON-OFF-ON <b>MTS-2033</b> ON-ON-ON DPDT 6P</p>	
	<p><b>MTS-302</b> ON-ON <b>MTS-303</b> ON-OFF-ON 3PDT 9P</p>	
	<p><b>MTS-402</b> ON-ON <b>MTS-403</b> ON-OFF-ON 4PDT 12P</p>	
	<p><b>MTS-101-A2</b> ON-OFF SPST 2P</p>	