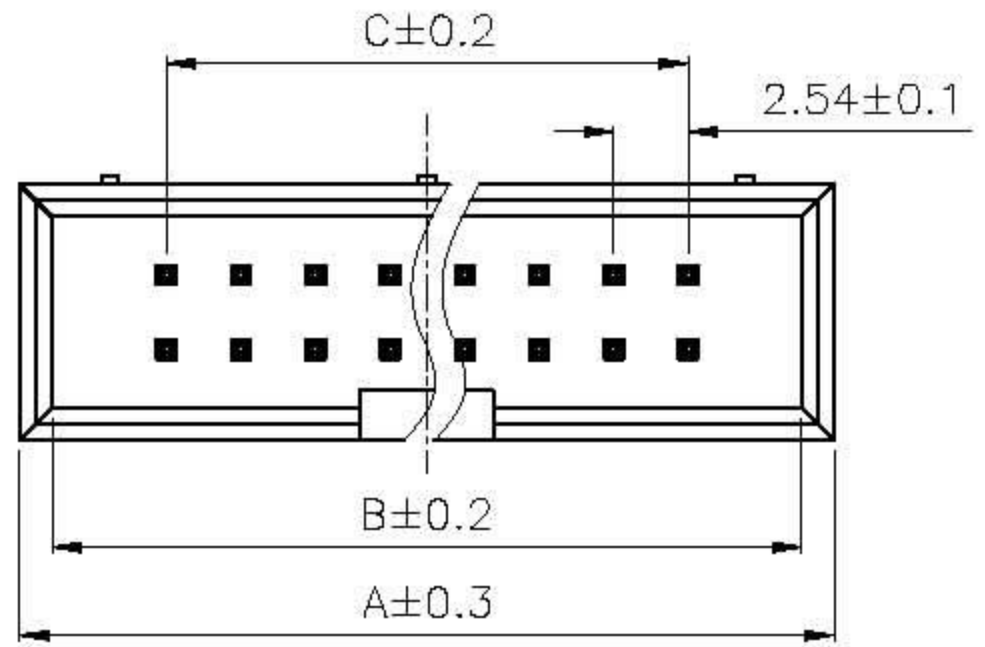
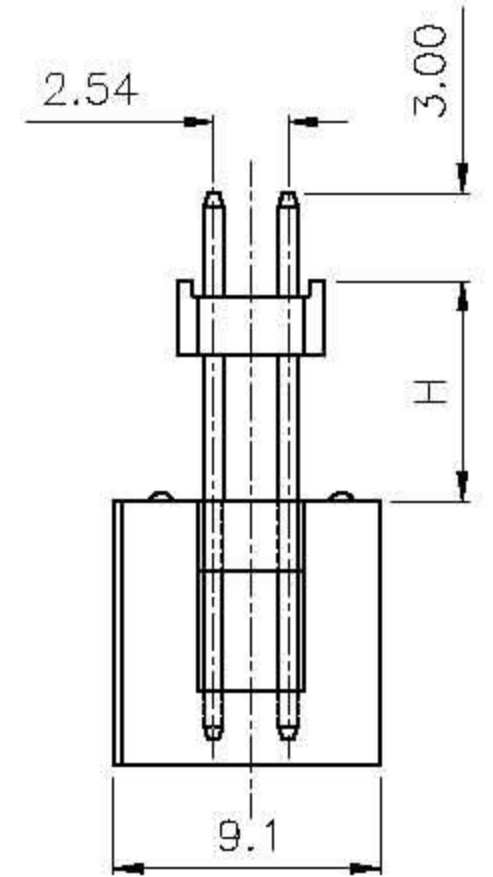
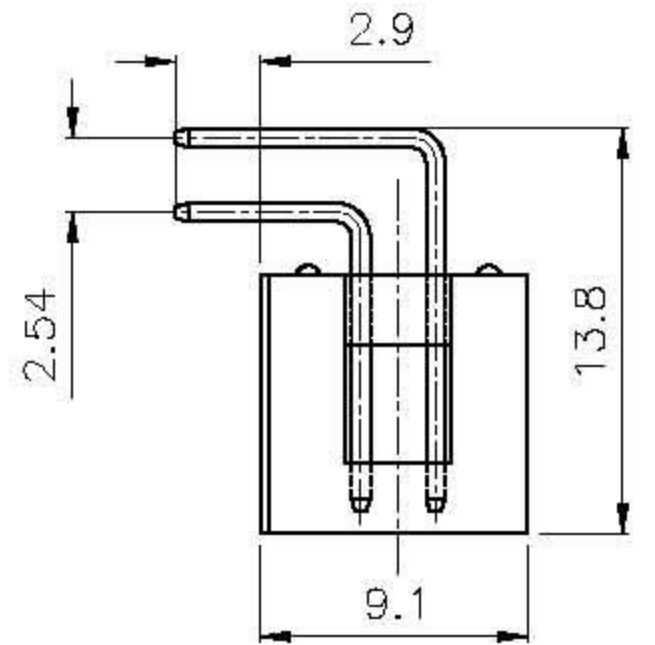
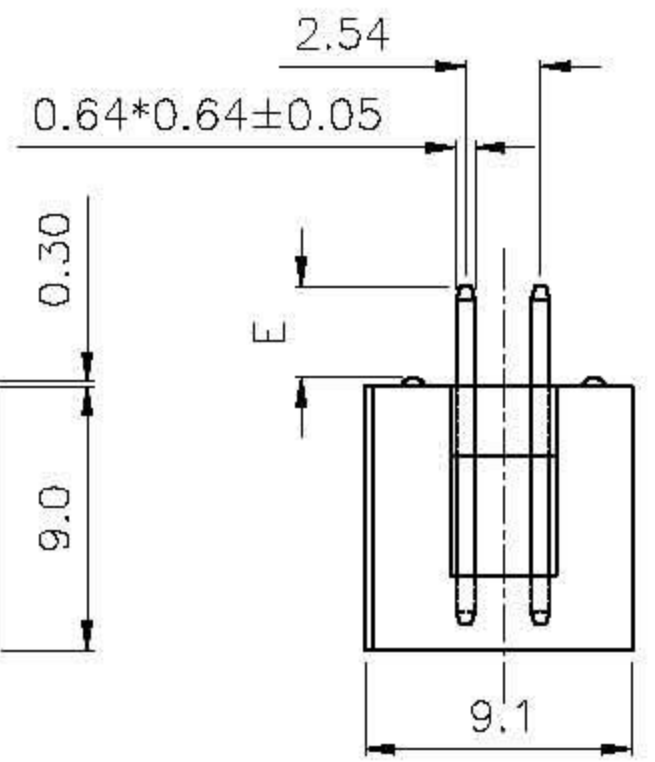
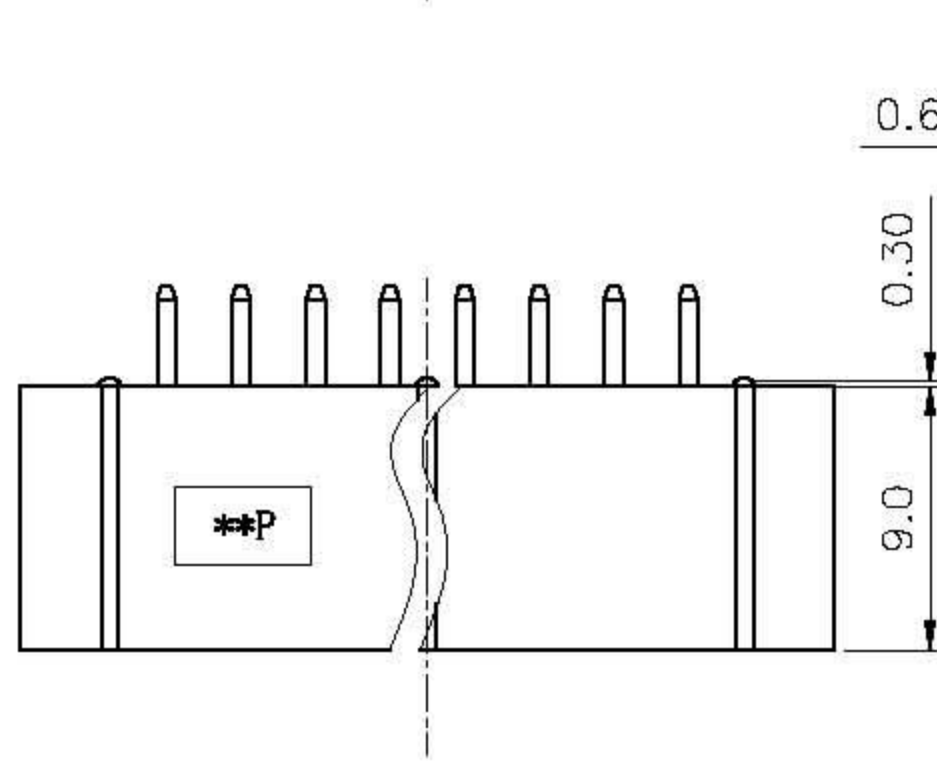
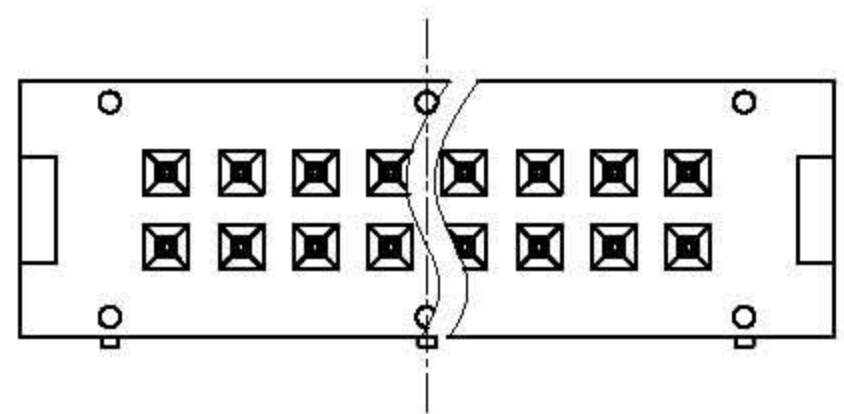


REV.	DESCRIPTION	DRAWN	CHECKED	APPROVED
A	NEW RELEASE	LJH 09/20/05'	~	LJC 09/20/05'
B	料号中增加尺寸DIM. H, E选项	YCH 07/18/08'	~	



V/T TYPE

R/A TYPE

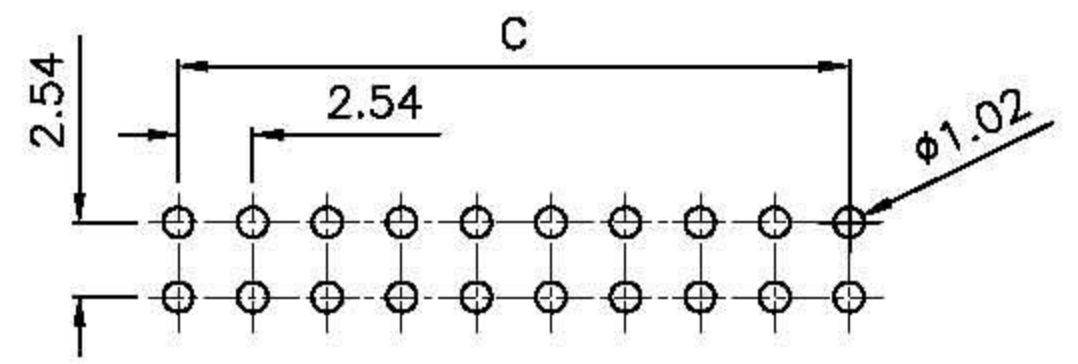
Elevator TYPE

NOTES:

- ELECTRICAL CHARACTERISTICS:
 - CONTACT RESISTANCE: 20mΩ Max. INITIAL.
 - DIELECTRIC WITHSTANDING VOLTAGE: 500V AC(rms) FOR 1 MINUTE.
 - INSULATION RESISTANCE: 1000MΩ Min.
- ENVIRONMENT CHARACTERISTICS:
 - TEMPERATURE RANGE: -45°C~+105°C.
- PART NUMBER: DS1013
- PRODUCT NUMBER CODE:
 DS1013- X X X X X X
 DIM. H TYPE (FOR ELEVATOR ONLY)
 1: 7.50
 2: 9.50
 DIM. E TYPE (FOR V/T ONLY)
 1: 3.10
 2: 8.00
 HOUSING COLOR
 B: BLACK
 W: WHITE
 U: BLUE
 A: GRAY
 CONTACT PLATING
 Si: FULL GOLD FLASH
 MOUNTING TYPE
 S: V/T TYPE
 R: R/A TYPE
 E: Elevator TYPE
 No.OF CONTACTS
 08 10 14 16
 20 26 30 34
 40 50 60 64

Dimension

Position	A	B	C				
10	20.30	18.10	10.16	30	45.70	43.50	35.56
12	22.84	20.64	12.70	34	50.78	48.58	40.64
14	25.38	23.18	15.24	40	58.40	56.20	48.26
16	27.92	25.72	17.78	50	71.10	68.90	60.96
20	33.00	30.80	22.86	60	83.80	81.60	73.66
26	40.62	38.42	30.48	64	88.88	86.68	78.74



RECOMMEND PCB LAYOUT(TOLERANCE=±0.05)

GENERAL TOLERANCE	ANGLE TOLERANCE	PROJECTION	⊕	TITLE	BOX HEADER PITCH 2.54mm	
X. ±0.60	X. ±5°	UNITS	mm	SHEET SIZE	A4	SERIES DS1013 SERIES
.X ±0.38	.X ±3°	晨翔电子有限公司 CONNFLY® CONNFLY ELECTRONIC CO., LTD				
.XX ±0.25	.XX ±2°					
DRAWING TYPE	CUSTOMER					
SCALE	1:1	SHEET	1 OF 1			
DRAWING NO.	C-DS1013-XXXX-B					

REV.	DESCRIPTION	DRAWN	CHECKED	APPROVED
A	NEW RELEASE	LJH 09/20/05'		

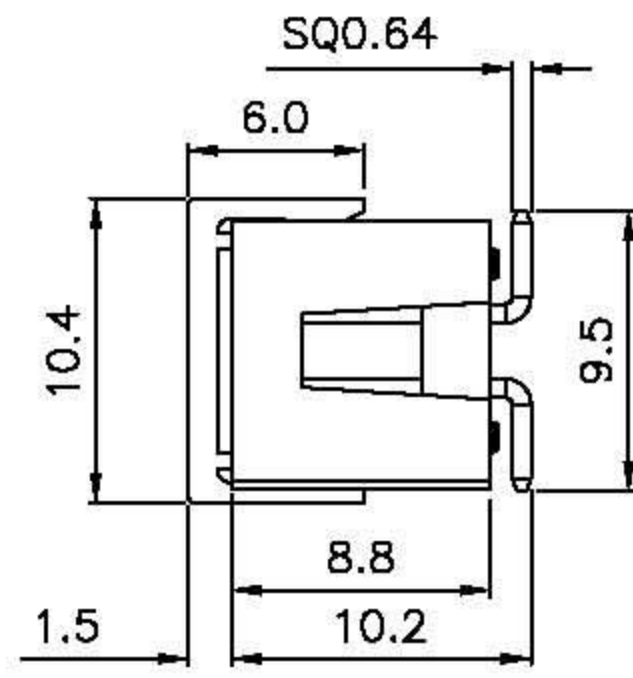
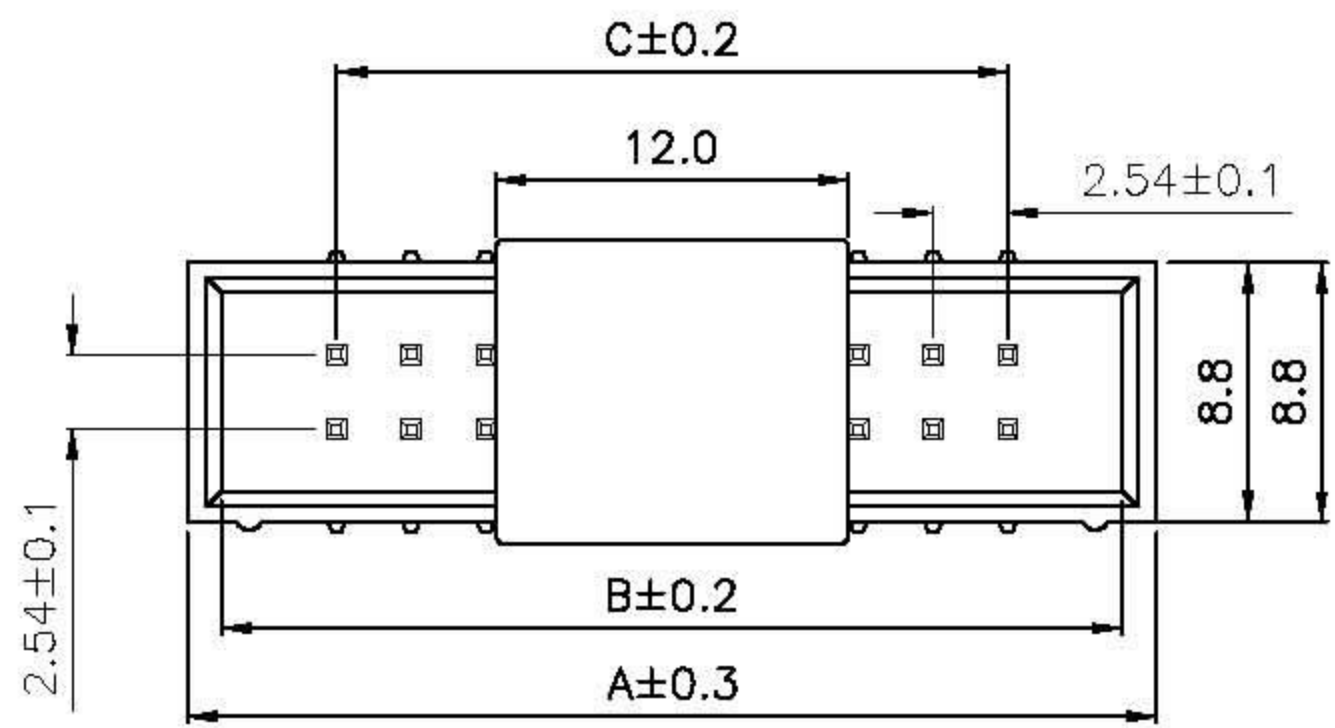
NOTES:

- ELECTRICAL CHARACTERISTICS:
 - CONTACT RESISTANCE: 20mΩ Max. INITIAL.
 - DIELECTRIC WITHSTANDING VOLTAGE: 500V AC(rms) FOR 1 MINUTE.
 - INSULATION RESISTANCE: 1000MΩ Min.
- ENVIRONMENT CHARACTERISTICS:
 - OPERATING TEMPERATURE: 0°C~+85°C.
 - STORAGE TEMPERATURE: -20°C~+70°C.

- PART NUMBER: DS1013
- PRODUCT NUMBER CODE:

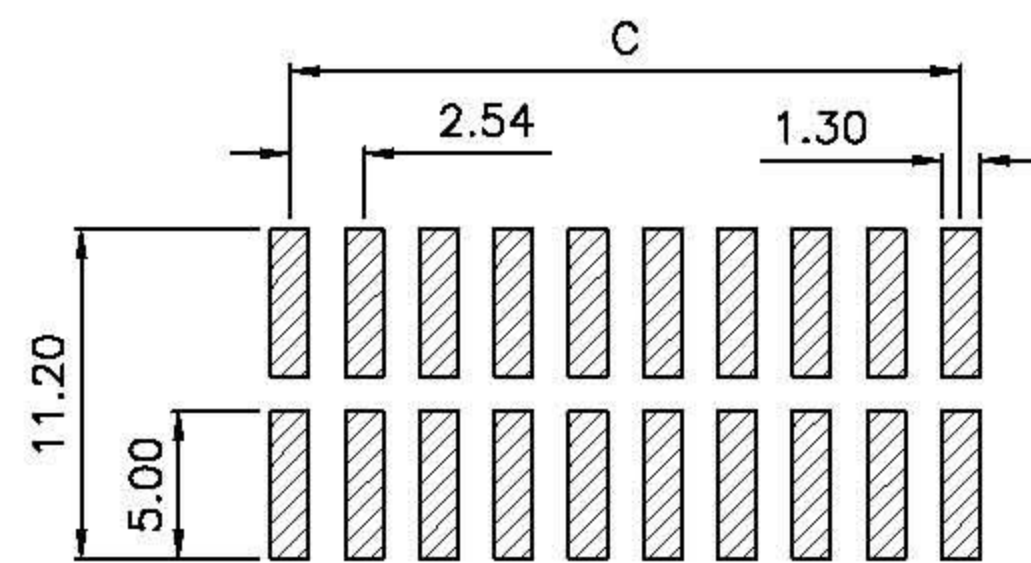
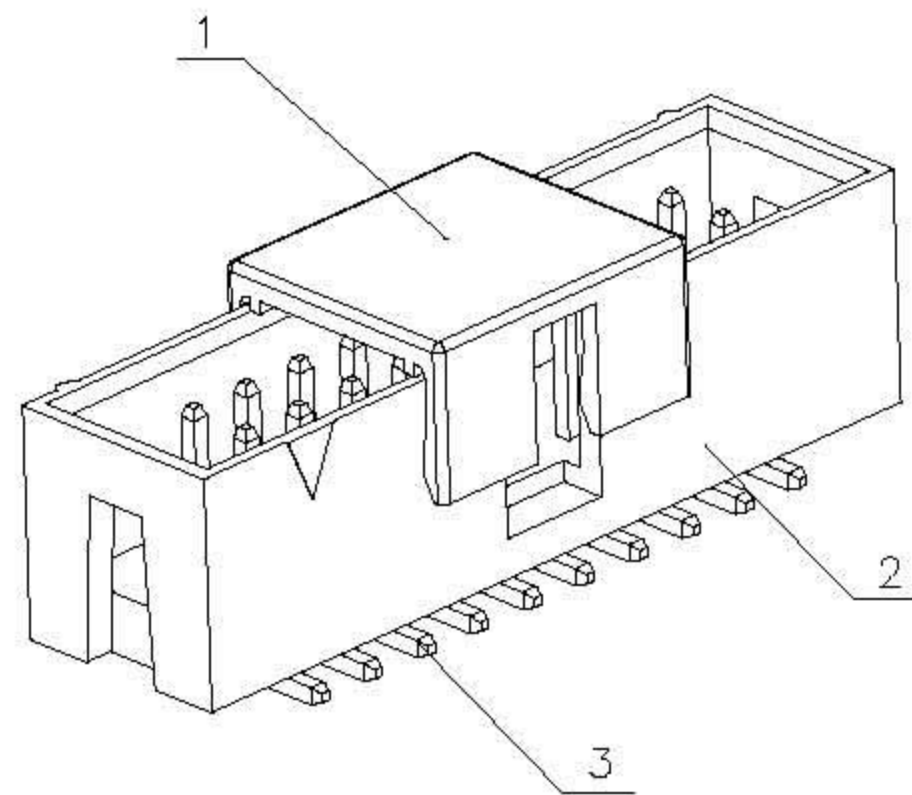
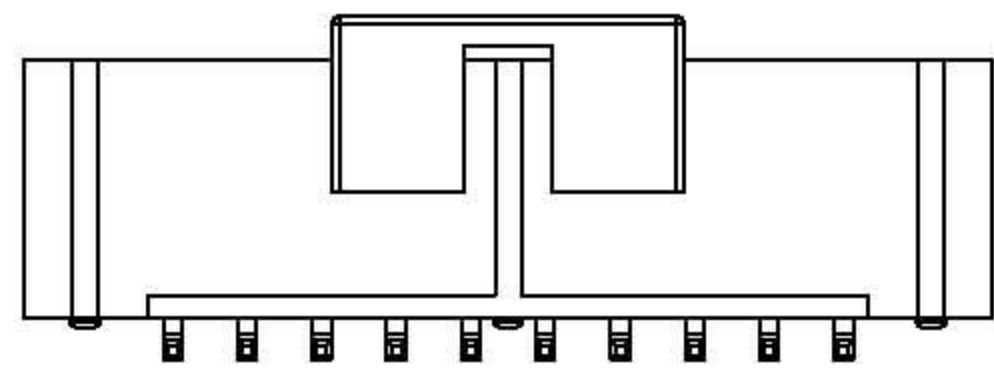
DS1013- X X X X X

- PACKING TYPE
A: TUBE
R: TAPE ON REEL
T: TRAY
- PICK UP SUPPORT
S: W/ PICK UP
X: W/O PICK UP
- CONTACT PLATING
Si: FULL GOLD FLASH
- MOUNTING TYPE
M: SMT TYPE
- No. OF CONTACTS
08 10 14 16
20 26 30 34
40 50 60 64
- SERIES No.
DS1013



Dimension

Position	A	B	C
10	20.30	18.10	10.16
12	22.84	20.64	12.70
14	25.38	23.18	15.24
16	27.92	25.72	17.78
20	33.00	30.80	22.86
26	40.62	38.42	30.48
30	45.70	43.50	35.56
34	50.78	48.58	40.64
40	58.40	56.20	48.26
50	71.10	68.90	60.96
60	83.80	81.60	73.66
64	88.88	86.68	78.74




RECOMMEND PCB LAYOUT
TOLERANCE=±0.05

GENERAL TOLERANCE	ANGLE TOLERANCE	PROJECTION	⊕	TITLE	BOX HEADER PITCH 2.54mm
X. ±0.60	X. ±5°	UNITS	mm		SMT TYPE
.X ±0.38	.X ±3°	SHEET SIZE	A4	SERIES	DS1013 SERIES
.XX ±0.25	.XX ±2°				

3	CONTACT		COPPER ALLOY	GOLD FLASH
2	HOUSING		NYLON-46	GLASS FILLED, UL 94 V-0
1	PICK UP		NYLON-66	UL 94 V-2
ITEM	PART NAME	PART NO.	MATERILAS	FINISHED

DRAWING TYPE	CUSTOMER
SCALE	1:1 SHEET 1 OF 1
DRAWING NO.	C-DS1013-XXMXXXX


晨翔电子有限公司
CONNFLY® CONNFLY ELECTRONIC CO., LTD