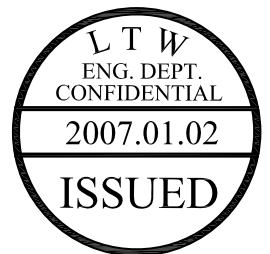
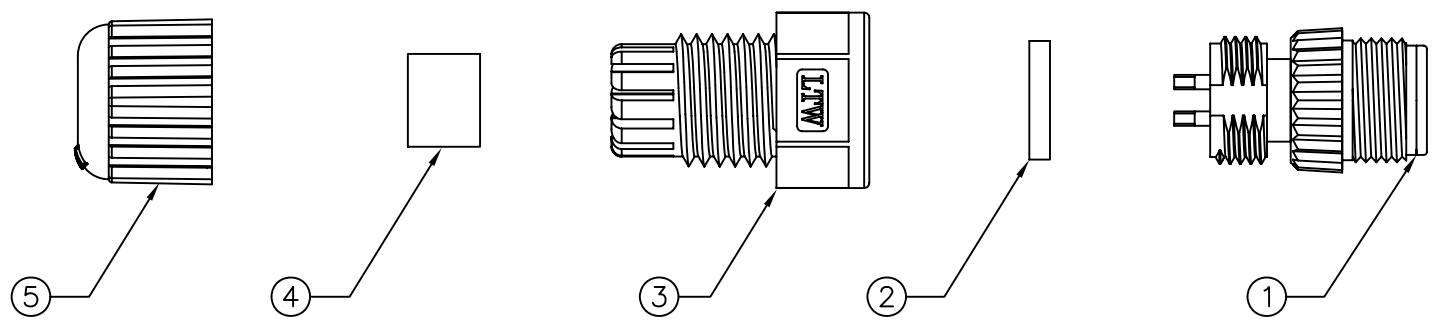
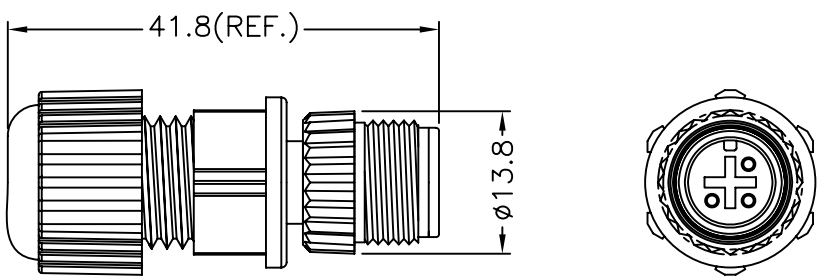


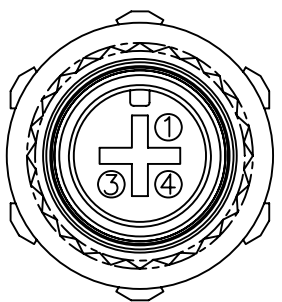
5	6	7	8
REV.	ECN NO.	DATE	SIGN



- Note:
- * @C Important Dimension To Check.
 - * Waterproof Rate: IP68
 - * Housing: Black, Nylon+GF
 - * Pin: Copper Alloy, Gold Plated
 - * Nut: Black, Nylon+GF
 - * Gasket: Black, EPDM
 - * Clamp Ring: Black, Nylon
 - * Sealing Nut: Black, Nylon
 - * Seal: Black, EPDM
 - * Seal For Cable OD: $\phi 4.5\text{mm} \sim \phi 6.5\text{mm}$



Conn.



Pin Assignments
Front View

UNIT:mm		TITLE	M12 Conn		LTW	ITEM NO	LTW12P-03BMMA-SL8001	DRAWN BY	Jason Manas	DATE	2006/12/21	
TOLERANCE	$\pm 0.5 \text{ mm}$	Assy Screw 3Pin M Conn M Pin		SCALE		Free	DWG NO	LTW12P-03BMMA-SL8001	CHECKED BY	Alan MJ Sundo	DATE	2006/12/21
REV.	A	SIZE	A4	SHEET		1 OF 1	CUSTOMER		APPROVED BY	Max Hung	DATE	2006/12/21
										8 QP02C-01-01A1		

THIS INFORMATION IS CONFIDENTIAL AND IS DISCLOSED TO YOU ON CONDITION THAT NO FURTHER DISCLOSURE IS MADE BY YOU TO OTHER THAN LTM PERSONNEL WITHOUT AUTHORIZATION FROM LTM CORP.