

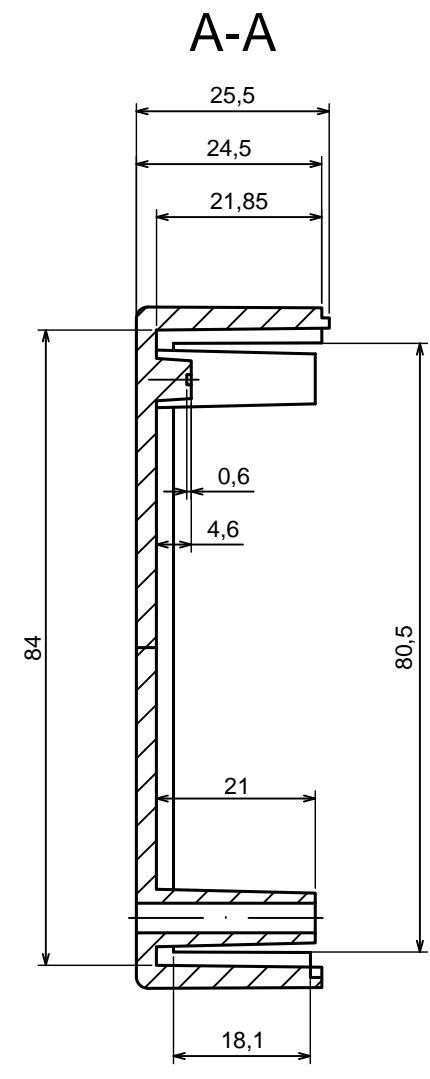
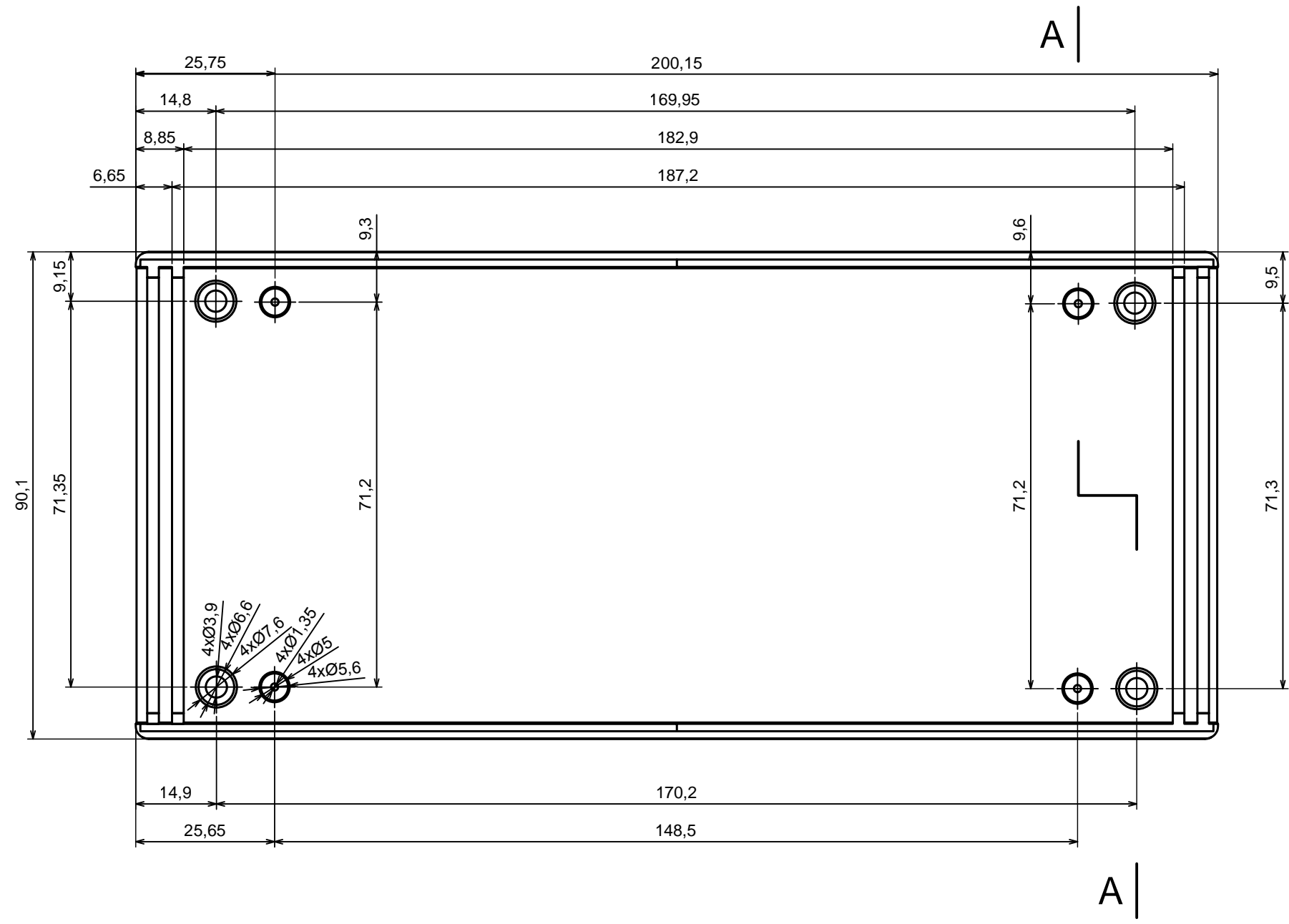
All rights reserved, Copyright Kradox 2016


Product model Enclosure Z5B - assembly

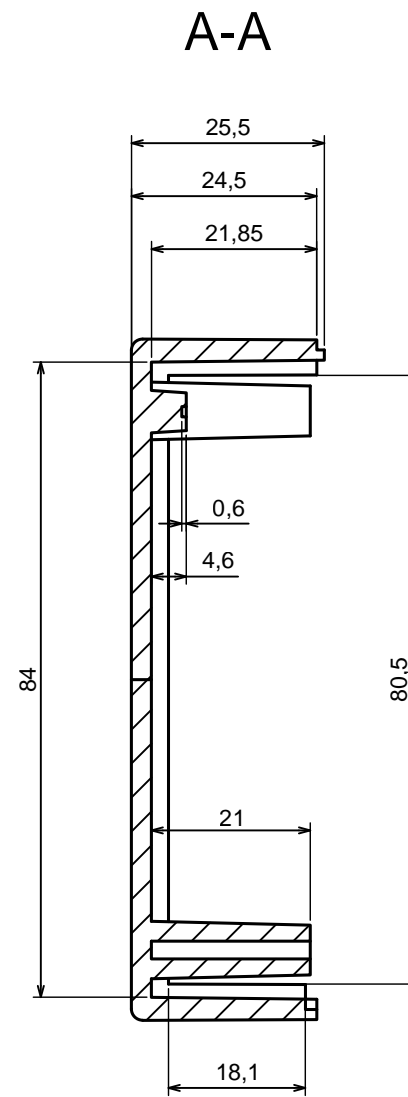
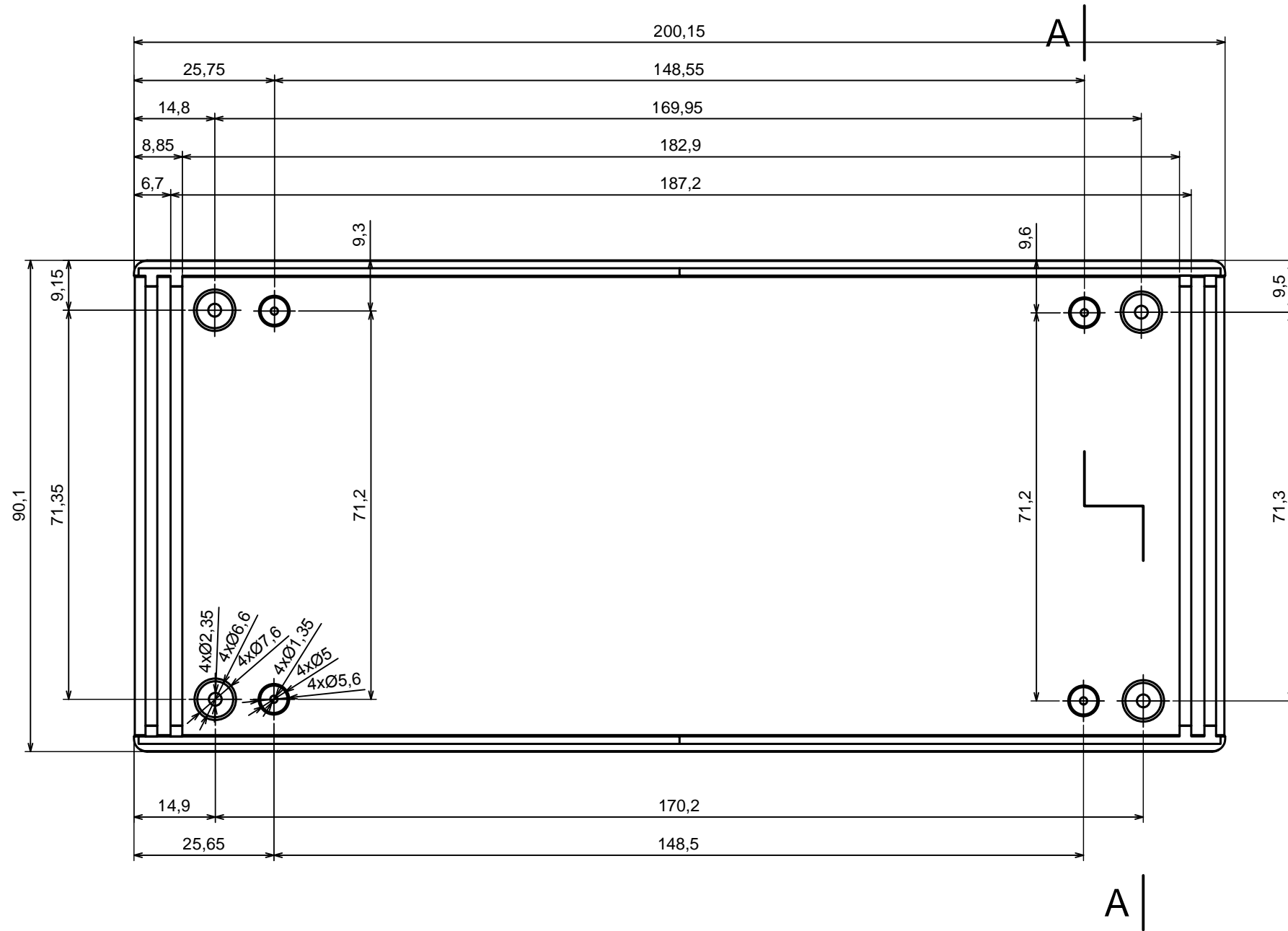
Format: A3 Material: PS, ABS

Scale 1:1 Tolerance: +/- 0.5





All rights reserved, Copyright Kradox 2016		
Product model	Enclosure Z5B - base	
Format: A3	Material: PS, ABS	
Scale 1:1	Tolerance: +/- 0.5	



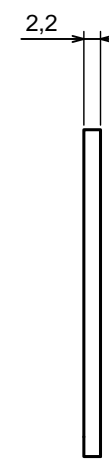
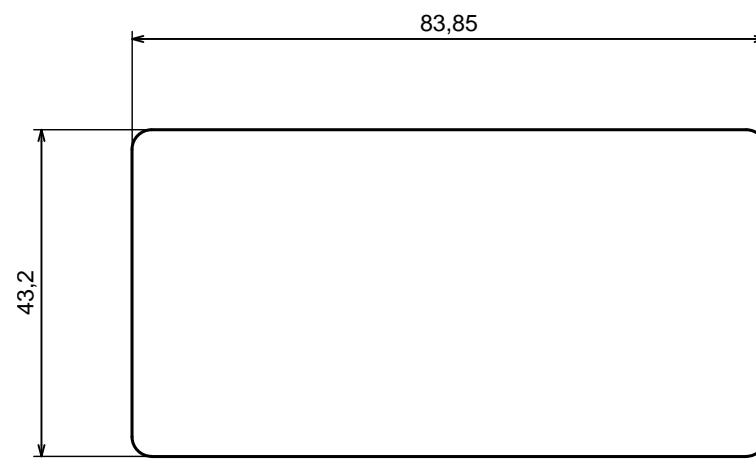
All rights reserved, Copyright Kradox 2016


Product model Enclosure Z5B - cover

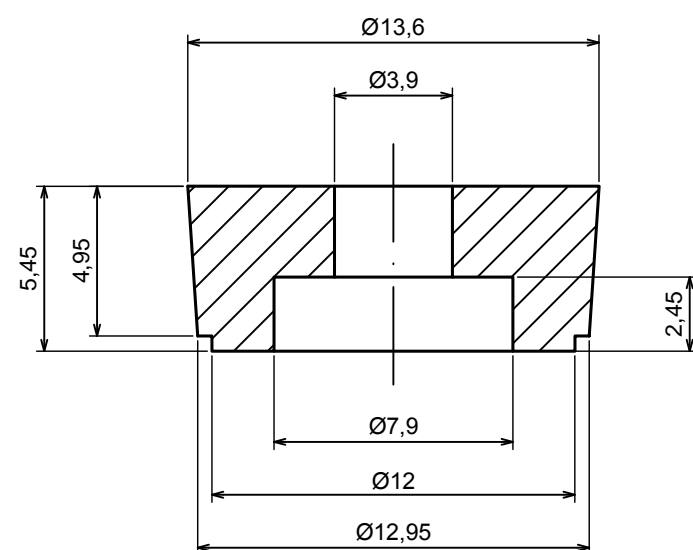
Format: A3 Material: PS, ABS

Scale 1:1 Tolerance: +/- 0.5





All rights reserved, Copyright Kradex 2016		
Product model	Enclosure Z5B - board	
Format: A3	Material: PS, ABS	
Scale 1:1	Tolerance: +/- 0.5	



All rights reserved, Copyright Kradex 2016

Product model: Enclosure Z5B - foot

Format: A3 Material: PS, ABS

Scale 4:1 Tolerance: +/- 0.5

