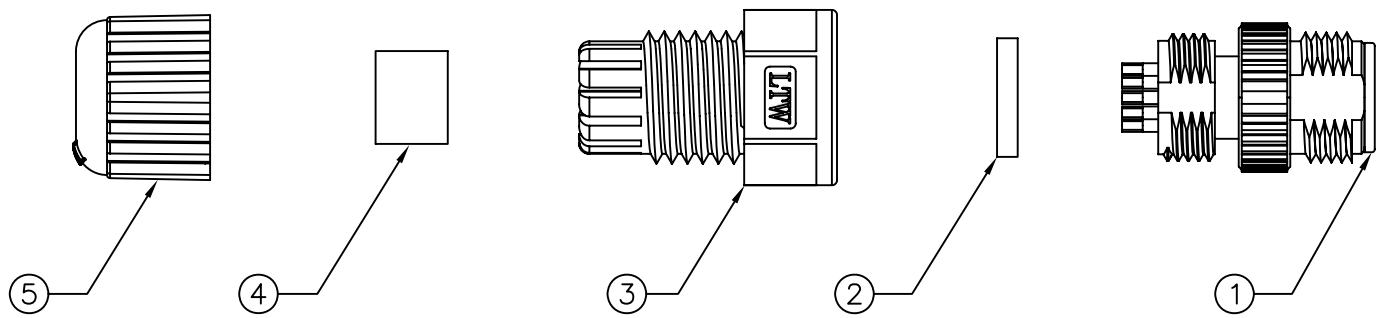


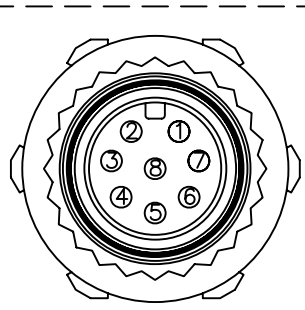
5	6	7	8
REV.	ECN NO.	DATE	SIGN

THIS DOCUMENT IS SUBJECT TO CHANGE WITHOUT NOTICE. IT IS CONFIDENTIAL AND A PROPERTY OF LTW. DISCLOSURE TO THIRD PARTY HAS TO BE AUTHORIZED BY LTW.

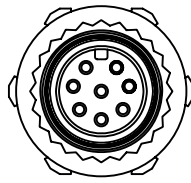
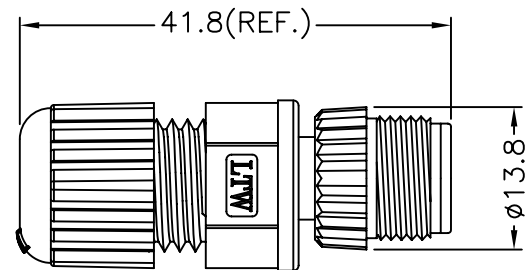


Note:

- * **QC** Important Dimension To Check.
- * Waterproof Rate: IP68
- * Housing: Black, Nylon+GF
- * Pin: Copper Alloy, Gold Plated
- * Nut: Black, Nylon+GF
- * Gasket: Black, EPDM
- * Clamp Ring: Black, Nylon
- * Sealing Nut: Black, Nylon
- * Seals: Black, EPDM
- * Seal For Cable OD: $\phi 4.5\text{mm} \sim \phi 6.5\text{mm}$



Pin Assignments
Front View



Conn.

UNIT:mm	
TOLERANCE	
±0.5 mm	

TITLE		
M12 Conn		
Assy Screw 8Pin M Conn M Pin		
SCALE	Free	SHEET
		1 OF 1
REV.	A	SIZE
		A4
QC :Inspection Item		



ITEM NO	LTW12P-08BMMA-SL8001
DWG NO	LTW12P-08BMMA-SL8001
CUSTOMER	

DRAWN BY	Jason Manas
CHECKED BY	Michael Cerenado
APPROVED BY	Max

DATE	2006/12/27
DATE	2006/12/28
DATE	2006/12/28