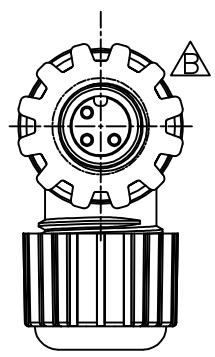
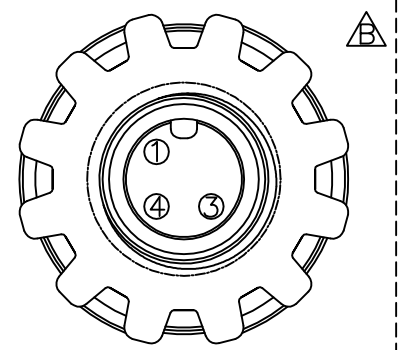
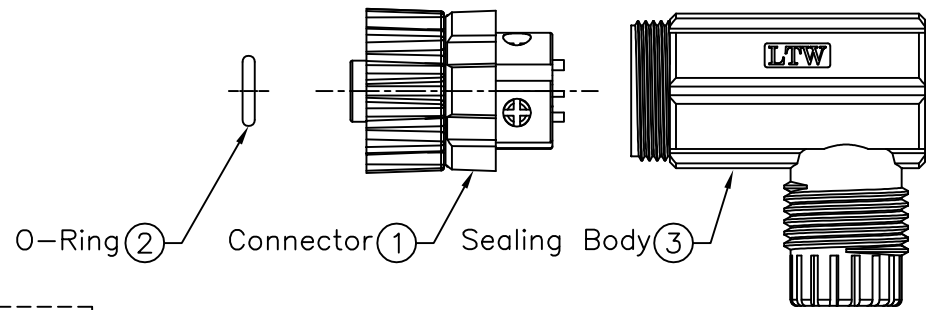
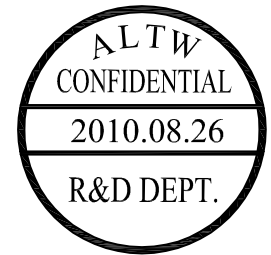
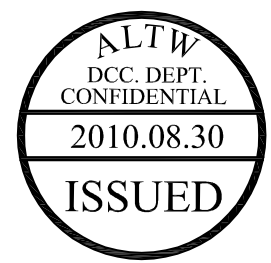
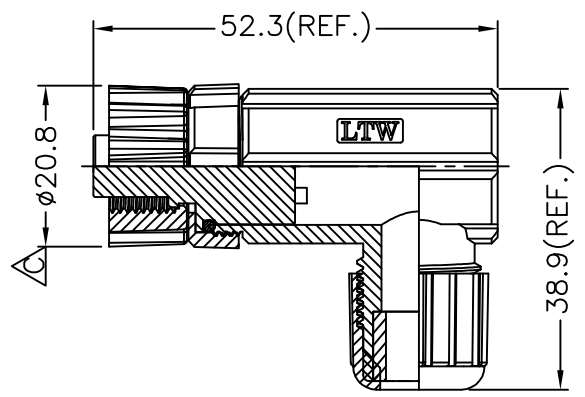


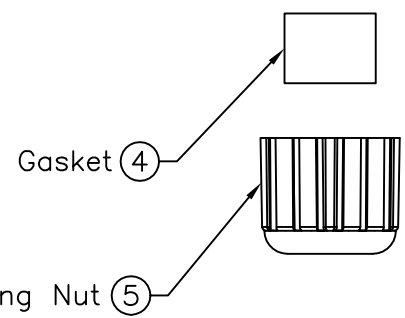
REV.	ECN NO.	DATE	SIGN	DESCRIPTION
B	LE3-890065	2008/08/12	Gao Ling	Change Connector Material.
C	LEN-080266	2010/08/26	Zhang Xing	Change Dimension.



Conn.



Pin Assignments
Front View



Note:

- * Waterproof Rate : IP67
- * Connector: PPO V0150B,Black
- * Pin: Copper Alloy,Gold Plated
- * O-Ring 1: Viton,Green.
- * O-Ring 2: EPDM,Black.
- * Holder: Nylon+GF,Black
- * Clamp Ring: Nylon 66,Black.
- * Gasket: EPDM,Black.
- * Sealing Nut:Black,Nylon 66.
- * Nut:Black,Nylon+GF,Black.
- * Seals For Cable OD $\phi 4.5\text{mm} \sim \phi 6.0\text{mm}$
- * Temperature Range: $-40^{\circ}\text{C} \sim +85^{\circ}\text{C}$.

UNIT:mm		TITLE M12 Screw In Female Conn 3Pin A Code		<h1>Amphenol LTW</h1>	ITEM NO 12P-03BFFB-SR7001	DRAWN BY Zhang Xing	DATE 2010/08/26
		TOLERANCE .X ±0.25 .XX ±0.1 .XXX ±0.05 ANGLES ±1'	SCALE Free		SHEET 1 OF 1	DWG NO 12P-03BFFB-SR7001	CHECKED BY Tina
		REV. C	SIZE A4	QC : Inspection Item	CUSTOMER ALTW	APPROVED BY Can	DATE 2010/08/26

THIS DOCUMENT IS SUBJECT TO CHANGE WITHOUT NOTICE. IT IS CONFIDENTIAL AND A PROPERTY OF AMPHENOL LTW. DISCLOSURE TO THIRD PARTY HAS TO BE AUTHORIZED BY AMPHENOL LTW.