

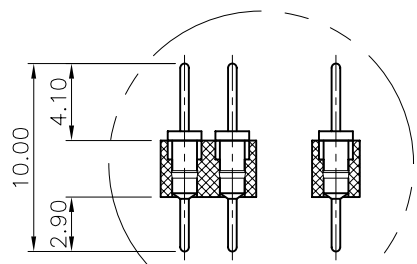
REV.	DESCRIPTION	DRAWN	CHECKED	APPROVED
A	NEW RELEASE	LJH 03/30/06'	~	LJC 03/30/06'
B	整理图纸	YCH 10/18/10'	~	

NOTES:

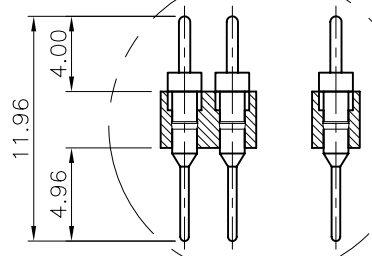
- ELECTRICAL CHARACTERISTICS:
 - CONTACT RESISTANCE: 20mΩ Max. INITIAL.
 - DIELECTRIC WITHSTANDING VOLTAGE: 500V AC(rms) FOR 1 MINUTE.
 - INSULATION RESISTANCE: 1000MΩ Min.
- ENVIRONMENT CHARACTERISTICS:
 - TEMPERATURE: -40°C~+105°C.
- PART NUMBER: DS1004
- PRODUCT NUMBER CODE:

DS1004 - X X X

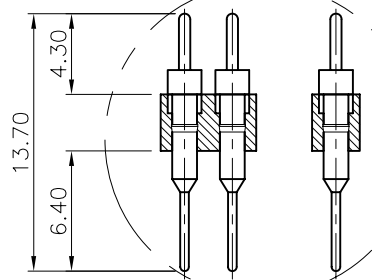
- CONTACT TYPE
1: TYPE 1 3: TYPE 3
2: TYPE 2 4: TYPE 4
- CONTACT PLATING
F1: Full GOLD FLASH
- No.OF CONTACTS
1*1 - 1*40
2*1 - 2*40



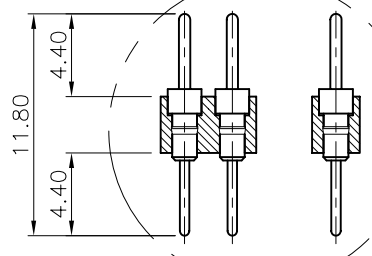
TYPE 1



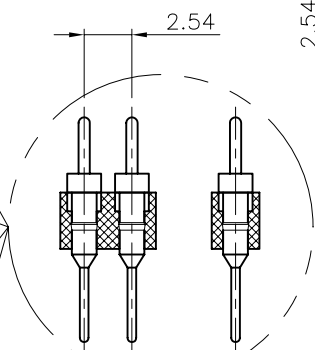
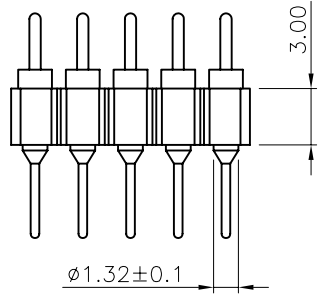
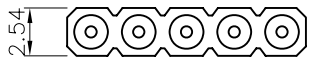
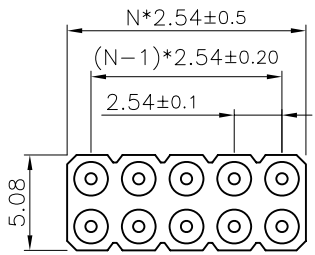
TYPE 2



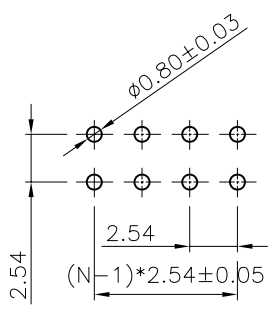
TYPE 3



TYPE 4

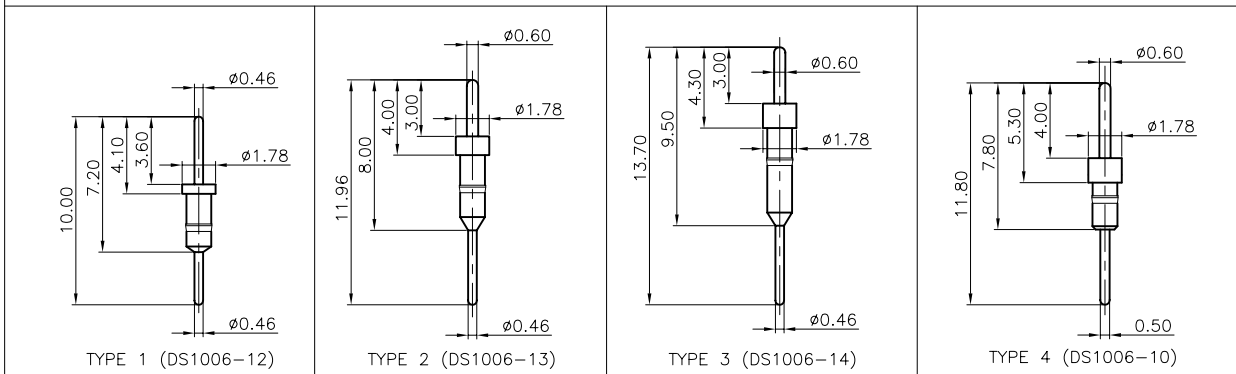


DUAL ROW SINGLE ROW




RECOMMEND PCB LAYOUT (TOLERANCE=±0.05)

TYPE1/2/3/4 DIA. (TOLERANCE=±0.05)



GENERAL TOLERANCE		ANGLE TOLERANCE		PROJECTION	TITLE	
X.	±0.60	X.	±5°	UNITS	DIP STRIP ADAPTER PITCH 2.54mm	
.X	±0.38	.X	±3°	SHEET SIZE	A4	
.XX	±0.25	.XX	±2°	SERIES DS1004 SERIES		

DRAWING TYPE	CUSTOMER		
SCALE	1:1	SHEET	10F1
DRAWING NO.	C-DS1004-XXX		


晨翔电子有限公司
CONNFLY CONNFLY ELECTRONIC CO. LTD