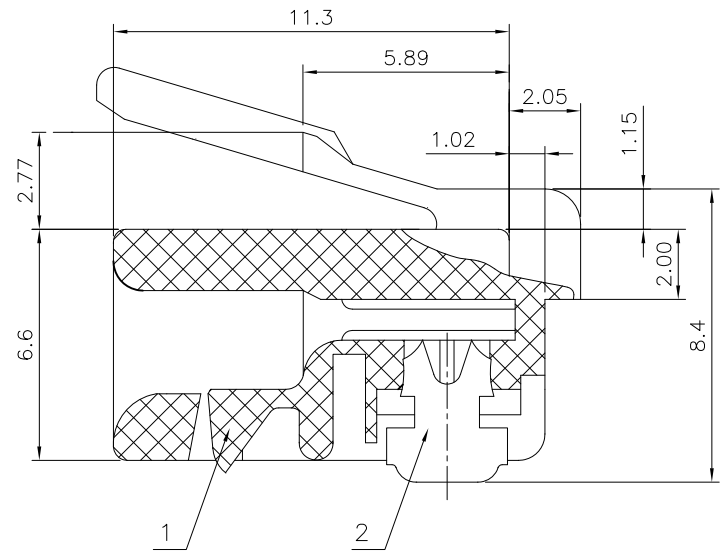
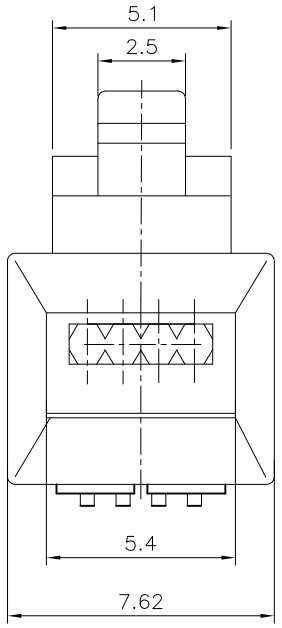


The information provided herein is from CONNELY Electronic Co., Ltd. and is confidential. Any disclosure to a party other than the recipient is prohibited. The intellectual properties and its rights contained herein, including but not limited to, trademarks, patents, copyrights, trade secrets, and technical know-how, are owned exclusively by CONNELY or its affiliates. Unauthorized use or modification is strictly prohibited without prior written consent from CONNELY. All intellectual properties provided herein are for reference purposes only and does not constitute authorization of its use in any format or manner. CONNELY may enforce its intellectual property rights at its own discretion. CONNELY does not constitute a waiver of such rights.

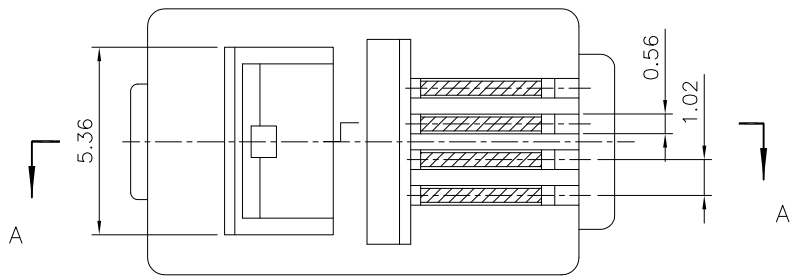
1 2 3 4 5 6 7 8

Dept	Qty
DC	1
ED	1
IE	1
ISO	1
PD	1
R&D	1
SD	1
QA	1
QC	1
QE	1

REV.	DESCRIPTION	DRAWN	CHECKED	APPROVED
A	NEW RELEASE	LL 06/28/06'		LJC 06/28/06'
B	DRAWING UPDATE	JLZ 08/14/18'		



SECTION A-A



SPECIFICATION

1. Insulation Resistance:1000MΩ Min.
2. Withstand Voltage:500V AC/Minute.
3. Durability:600 Cycles Min.
4. Contact resistance:50mΩ max.
5. Product Number Code:

DS1121 - X X X X

- Housing Color
T:Transparent
- Contact Plating
0:Gold Flash 15:15u''Au
3:3u''Au 30:30u''Au
6:6u''Au
- No.Of Contacts
4:4p4c
- Connector Type
P:Plug
- Series No.
DS1121

GENERAL TOLERANCE		ANGLE TOLERANCE	
X.	±0.60	X.	±5°
.X	±0.38	.X	±3°
.XX	±0.25	.XX	±2°

PROJECTION		TITLE	Plug 4P4C SQUARE TYPE
UNITS	mm	SERIES	DS1121 SERIES
SHEET SIZE	A4	SHEET	1 OF 1

(2)	BLADE	4	Copper alloy	GOLD PLATING	DRAWING TYPE	CUSTOMER		
(1)	HOUSING	1	PC	UL94 V-0 OR 94 V-2	SCALE	1:1	SHEET	1 OF 1
No.	PART NAME	Q'TY	MATERIAL	REMARK	DRAWING NO.	C-DS1121-XXXX-B		

晨翔电子有限公司
CONNELY CONNELY ELECTRONIC CO. LTD

1 2 3 4 5 6 7 8