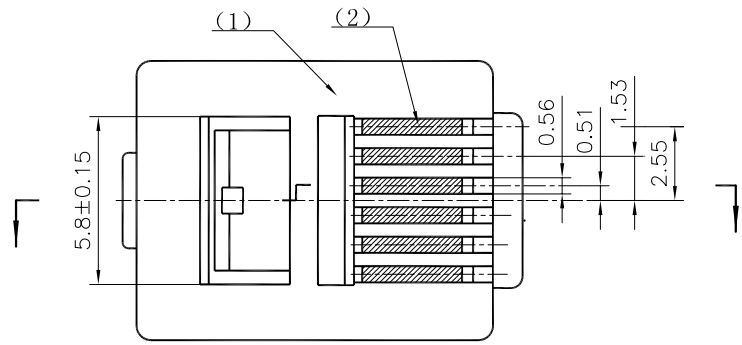


| REV. | DESCRIPTION | DRAWN | CHECKED | APPROVED |
|------|-------------|---------------|---------|----------|
| A | NEW RELEASE | LJH 03/01/06' | | |
| | | | | |
| | | | | |

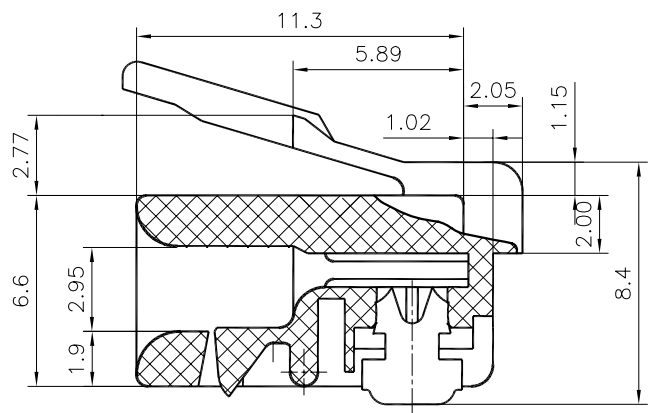


SPECIFICATION

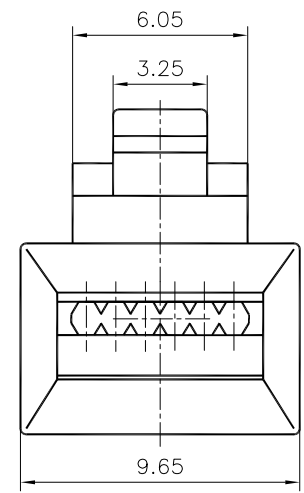
1. Insulation Resistance:1000MΩ Min.
2. Withstand Voltage:500V AC/Minute.
3. Durability:600 Cycles Min.
4. Contact resistance:50mΩ max.
5. Product Number Code:

DS1122 - X X X X

- Housing Color
T:Transparent
- Contact Plating
0:Gold Flash 15:15u''Au
3:3u''Au 30:30u''Au
6:6u''Au
- No.Of Contacts
6:6p6c
- Connector Type
P:Plug
- Series No.
DS1122



SECTION A-A




| No. | PART NAME | Q'TY | MATERIAL | REMARK |
|-----|-----------|------|--------------|--------------------|
| (2) | BLADE | 6 | Copper alloy | GOLD PLATING |
| (1) | HOUSING | 1 | PC | UL94 V-0 OR 94 V-2 |

| GENERAL TOLERANCE | | ANGLE TOLERANCE | |
|-------------------|-------|-----------------|-----|
| X. | ±0.60 | X. | ±5' |
| .X | ±0.38 | .X | ±3' |
| .XX | ±0.25 | .XX | ±2' |

| DRAWING TYPE | CUSTOMER | | |
|--------------|---------------|-------|--------|
| SCALE | 1:1 | SHEET | 1 OF 1 |
| DRAWING NO. | C-DS1122-XXXX | | |

| PROJECTION | TITLE |
|------------|----------------------|
| UNITS | RJ45 6P Plug |
| SHEET SIZE | SERIES DS1122 SERIES |


晨翔电子有限公司
CONNFLY CONNFLY ELECTRONIC CO. LTD