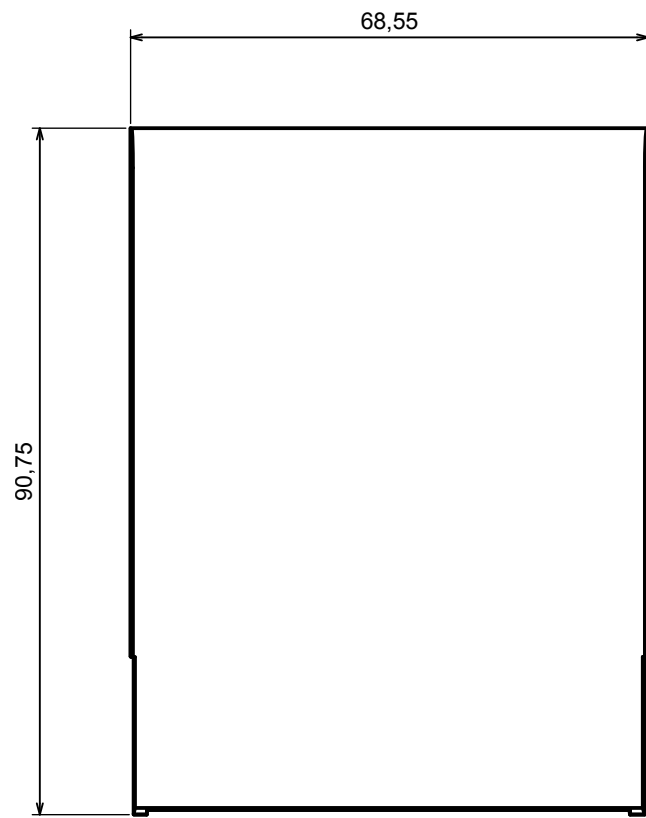
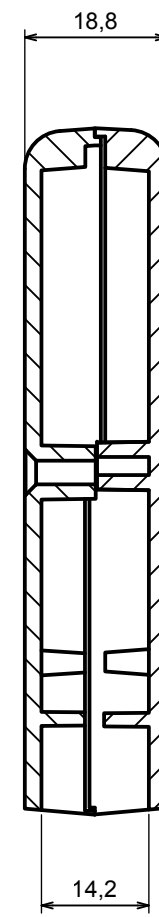


A |



A |

A-A



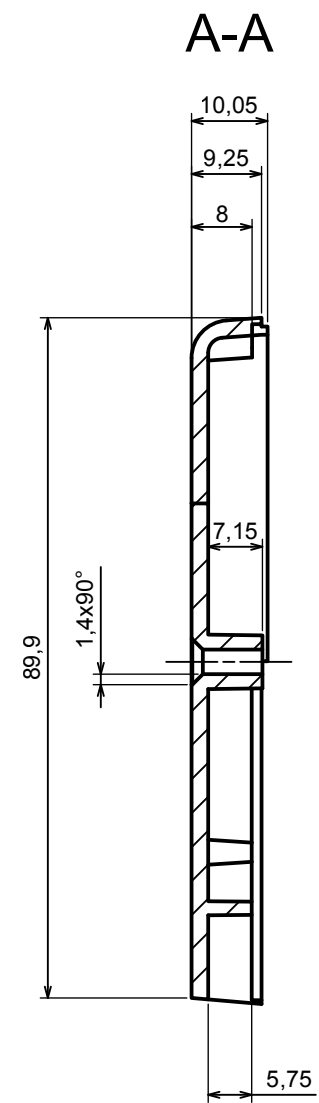
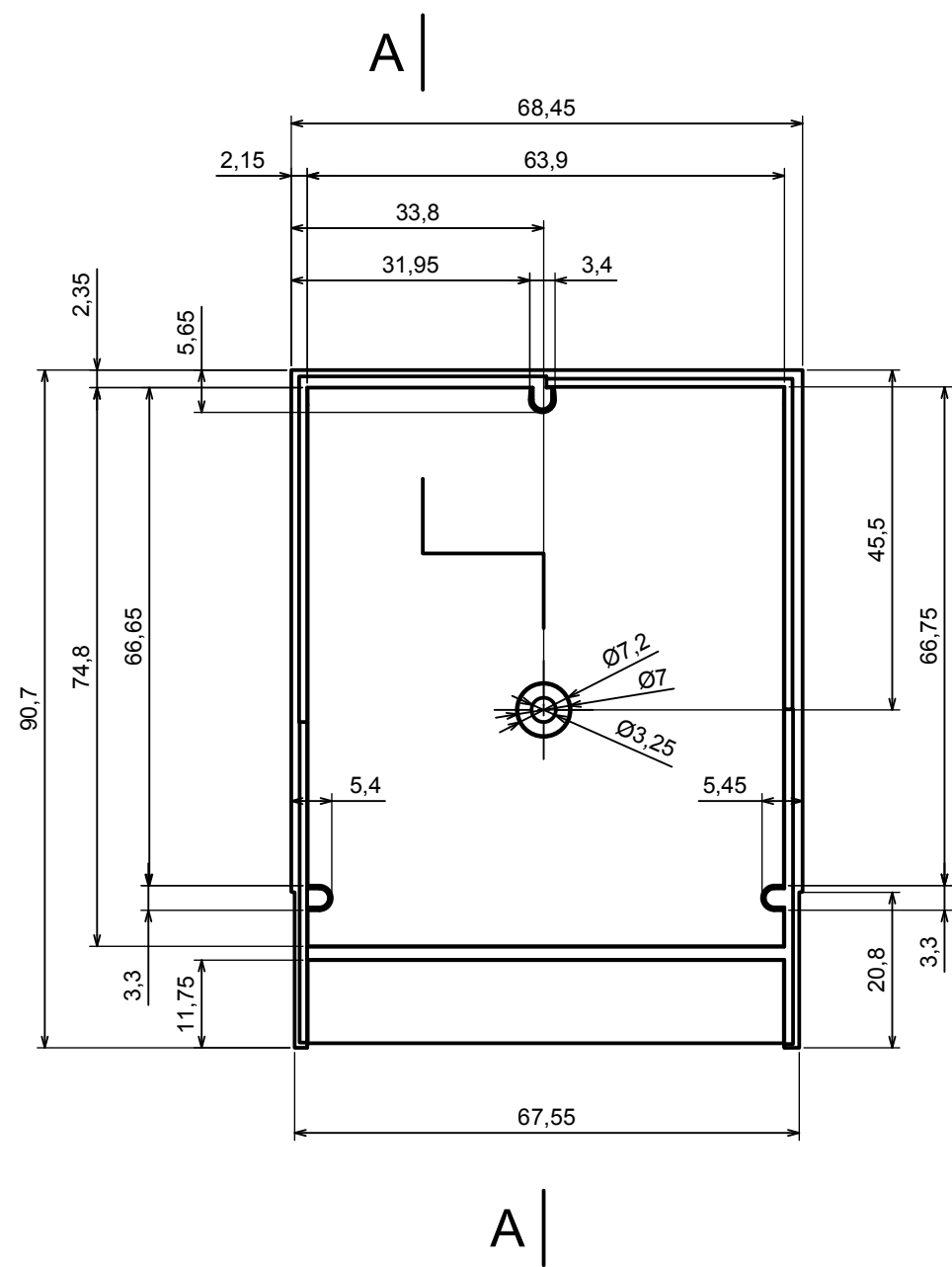
All rights reserved, Copyright Kradox 2017


Product model Enclosure Z7 - Assembly

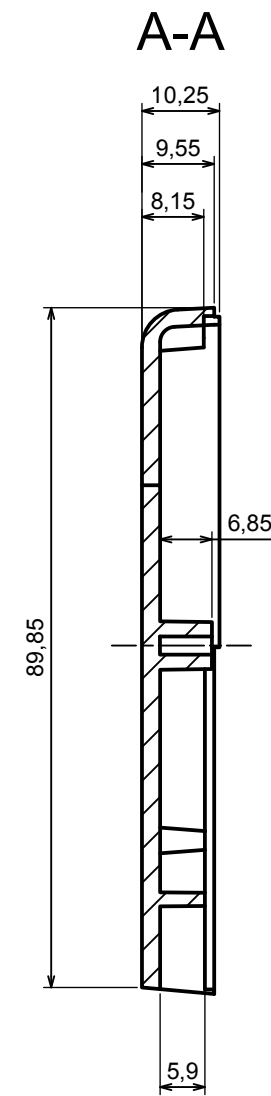
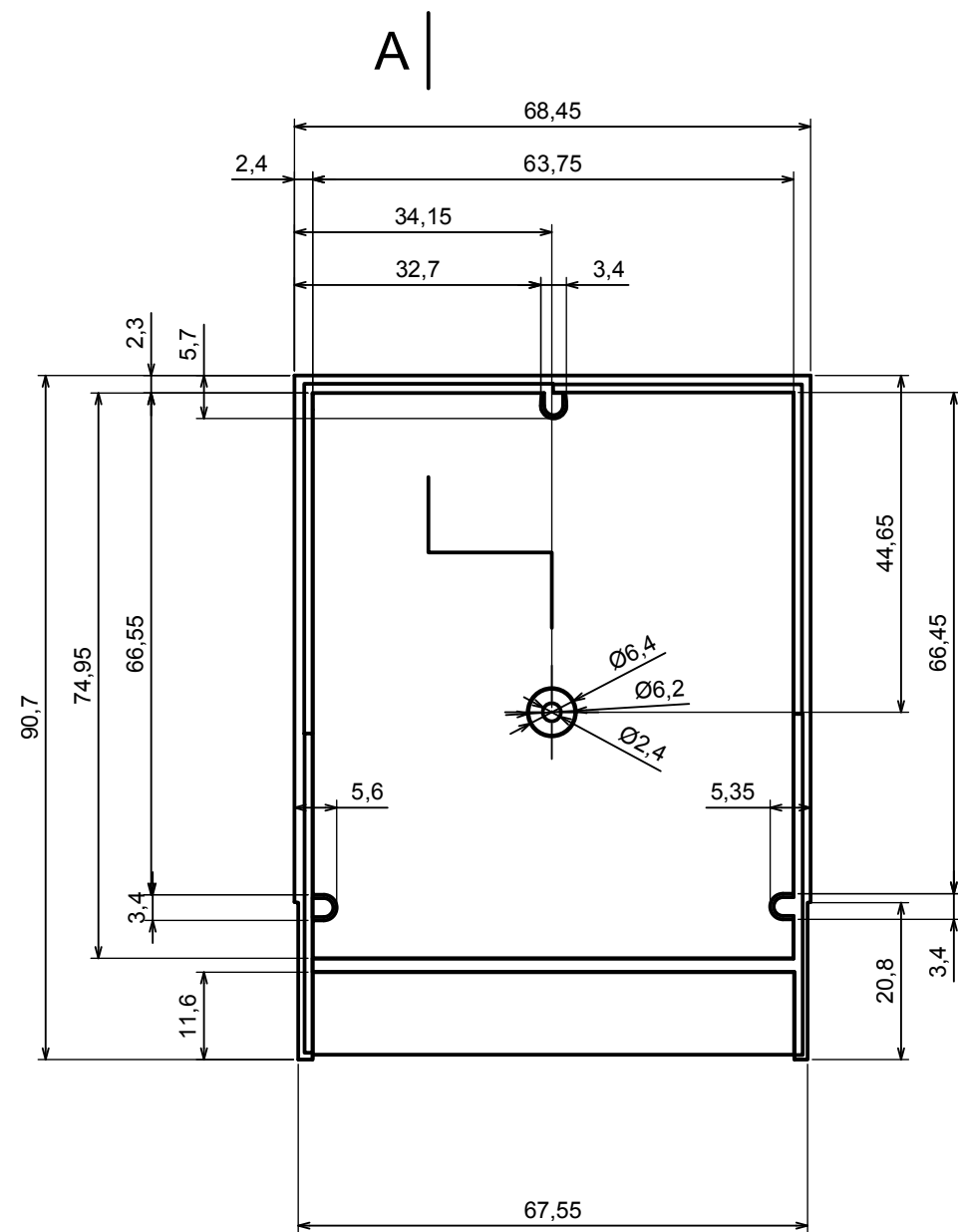
Format: A3 Material: PS, ABS

Scale 1:1 Tolerance: +/- 0.5






All rights reserved, Copyright Kradox 2017		
Product model	Enclosure Z7- Base	
Format: A3	Material: PS, ABS	
Scale 1:1	Tolerance: +/- 0.5	



A |

All rights reserved, Copyright Kradox 2017		
Product model	Enclosure Z7 - Cover	
Format: A3	Material: PS, ABS	
Scale 1:1	Tolerance: +/- 0.5	