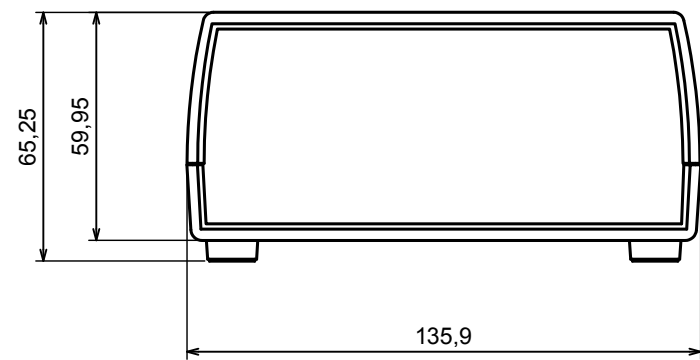
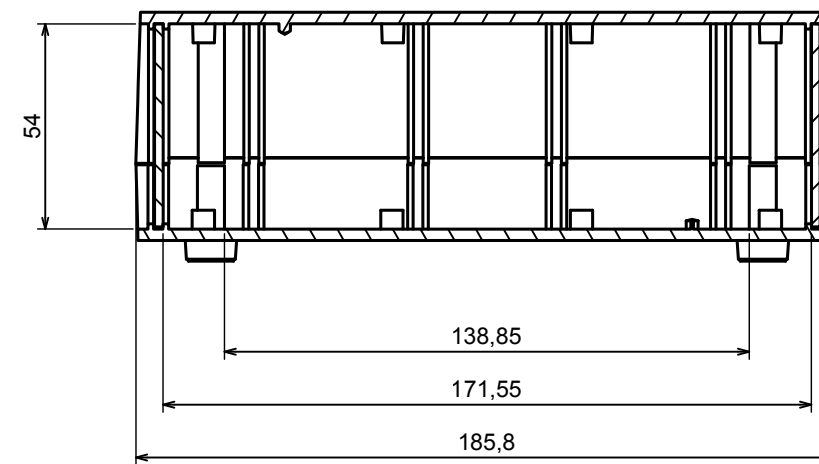


A |



A |

A-A



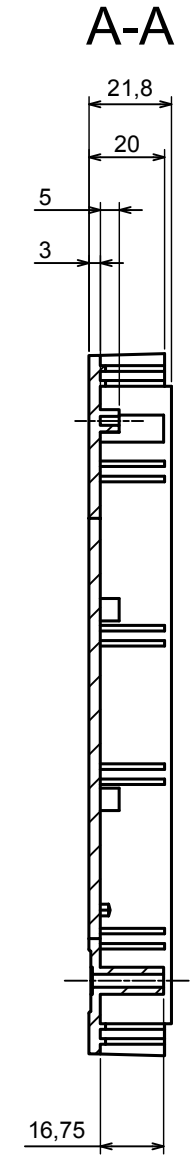
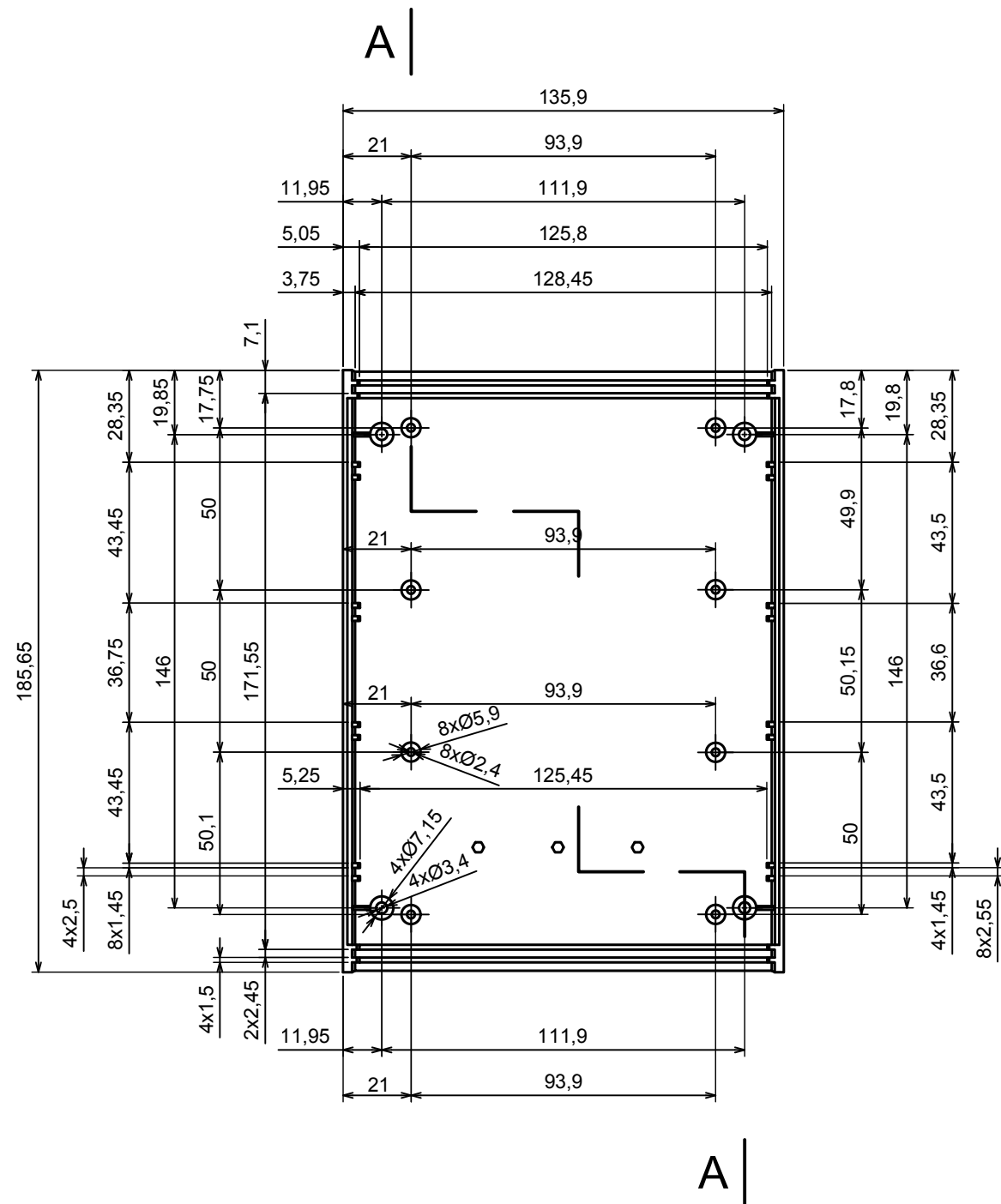
All rights reserved, Copyright KradeX 2017


Product model Enclosure Z112 - Assembly

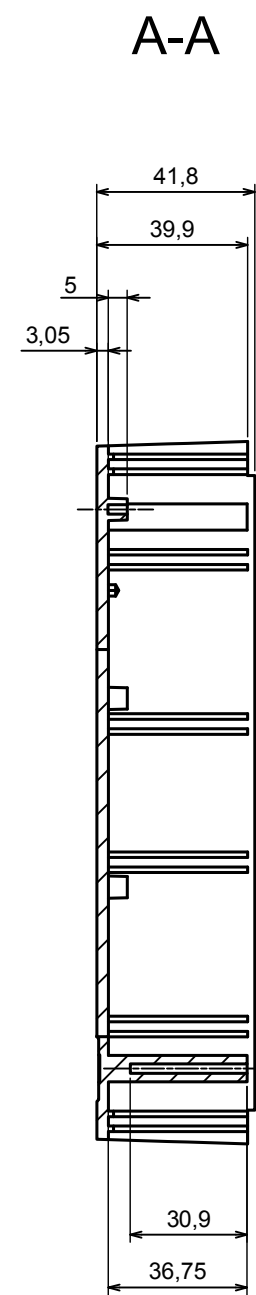
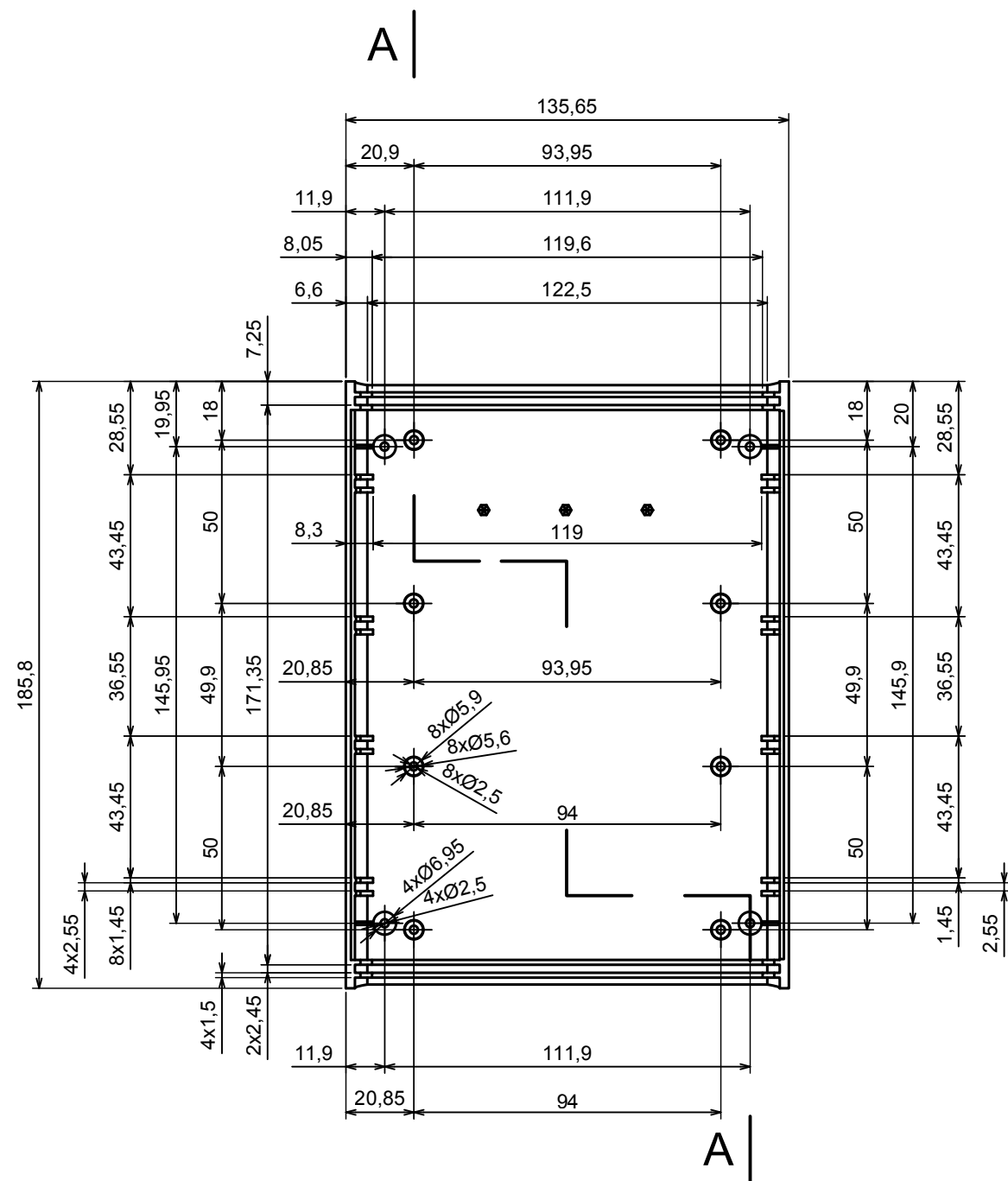
Format: A3 Material: PS, ABS


Scale 1:2 Tolerance: +/- 0.6

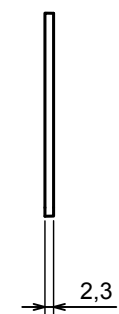
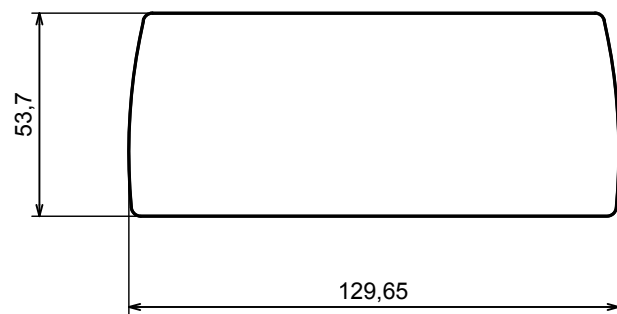





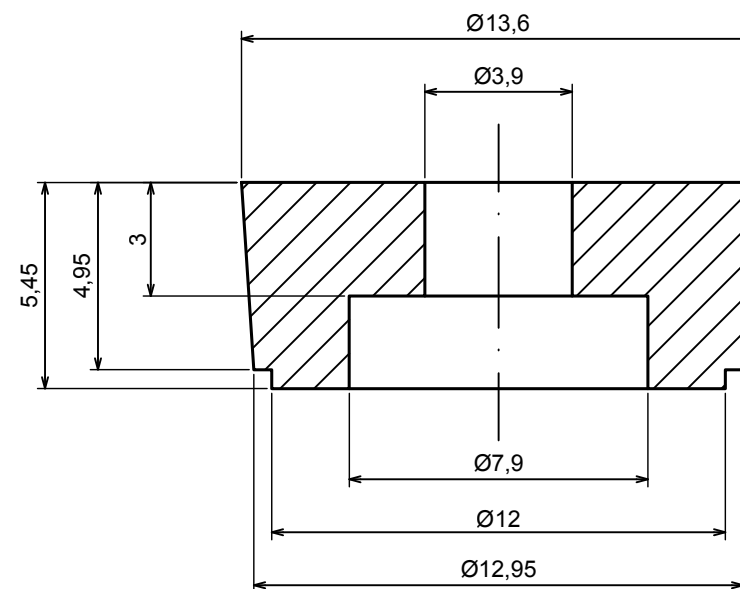
All rights reserved, Copyright Kradox 2017		
Product model	Enclosure Z112 - Base	
Format: A3	Material: PS, ABS	
Scale 1:2	Tolerance: +/- 0.6	



All rights reserved, Copyright Kradox 2017		
Product model	Enclosure Z112 - Cover	
Format: A3	Material: PS, ABS	
Scale 1:2	Tolerance: +/- 0.6	



All rights reserved, Copyright Kradex 2017		
Product model	Enclosure Z112 - Board	
Format: A3	Material: PS, ABS	
Scale 1:2	Tolerance: +/- 0.6	



All rights reserved, Copyright Kradox 2017

Product model Enclosure Z112 - Foot

Format: A3 Material: PS, ABS

Scale 5:1 Tolerance: +/- 0.5

