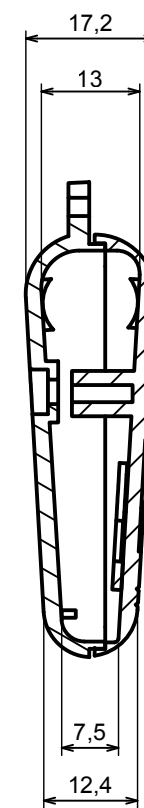


A |

A-A



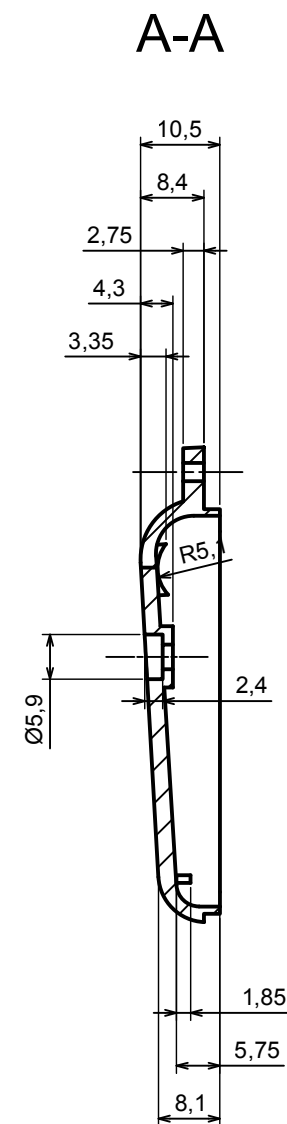
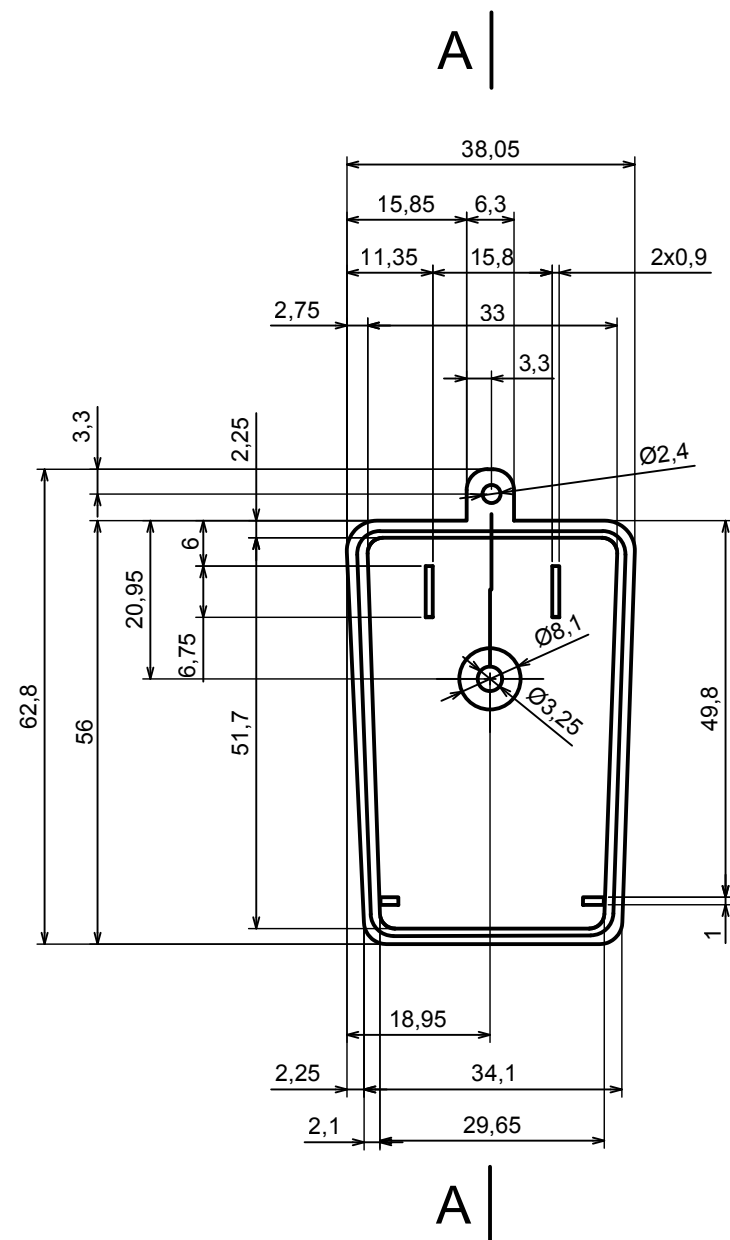
All rights reserved, Copyright Kradox 2017


Product model    Enclosure Z14B - Assembly

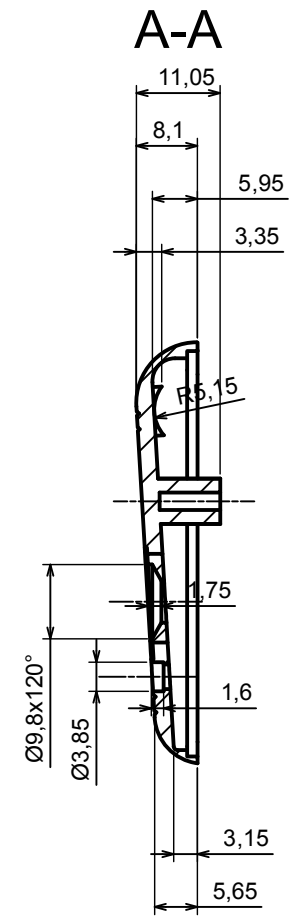
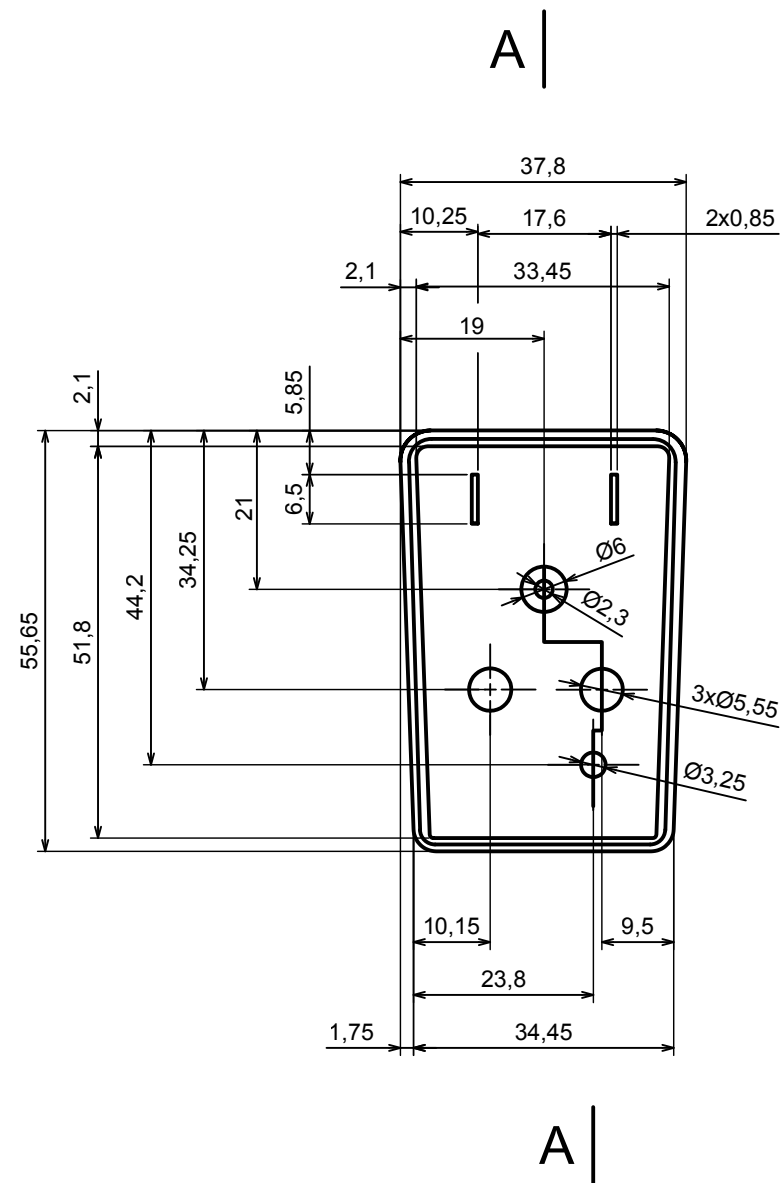
Format: A3    Material: PS, ABS

Scale 1:1    Tolerance: +/- 0.6





All rights reserved, Copyright Kradox 2017		
Product model	Enclosure Z14B - Base	
Format: A3	Material: PS, ABS	
Scale 1:1	Tolerance: +/- 0.6	



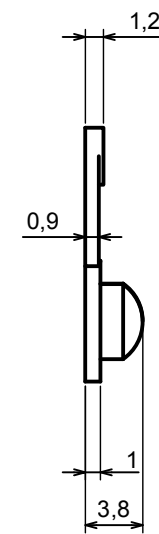
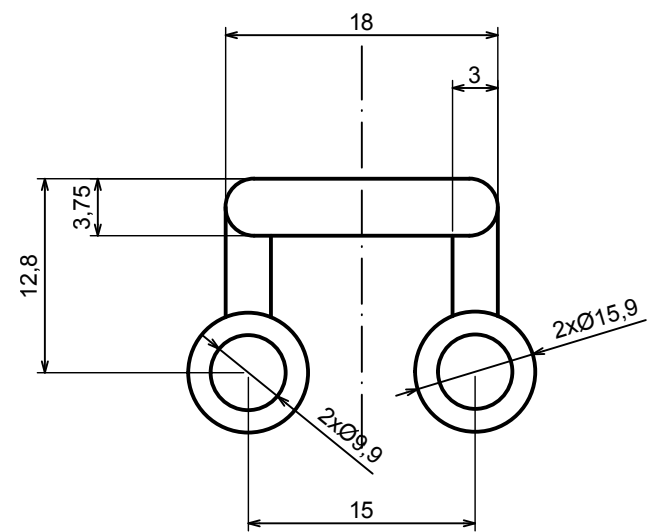
All rights reserved, Copyright Kradox 2017

Product model: Enclosure Z1 - Cover

Format: A3 | Material: PS, ABS

Scale 1:1 | Tolerance: +/- 0.5





All rights reserved, Copyright Kradox 2017

Product model Enclosure Z14B - Buttons

Format: A3 Material: PS, ABS

Scale 2:1 Tolerance: +/- 0.6

