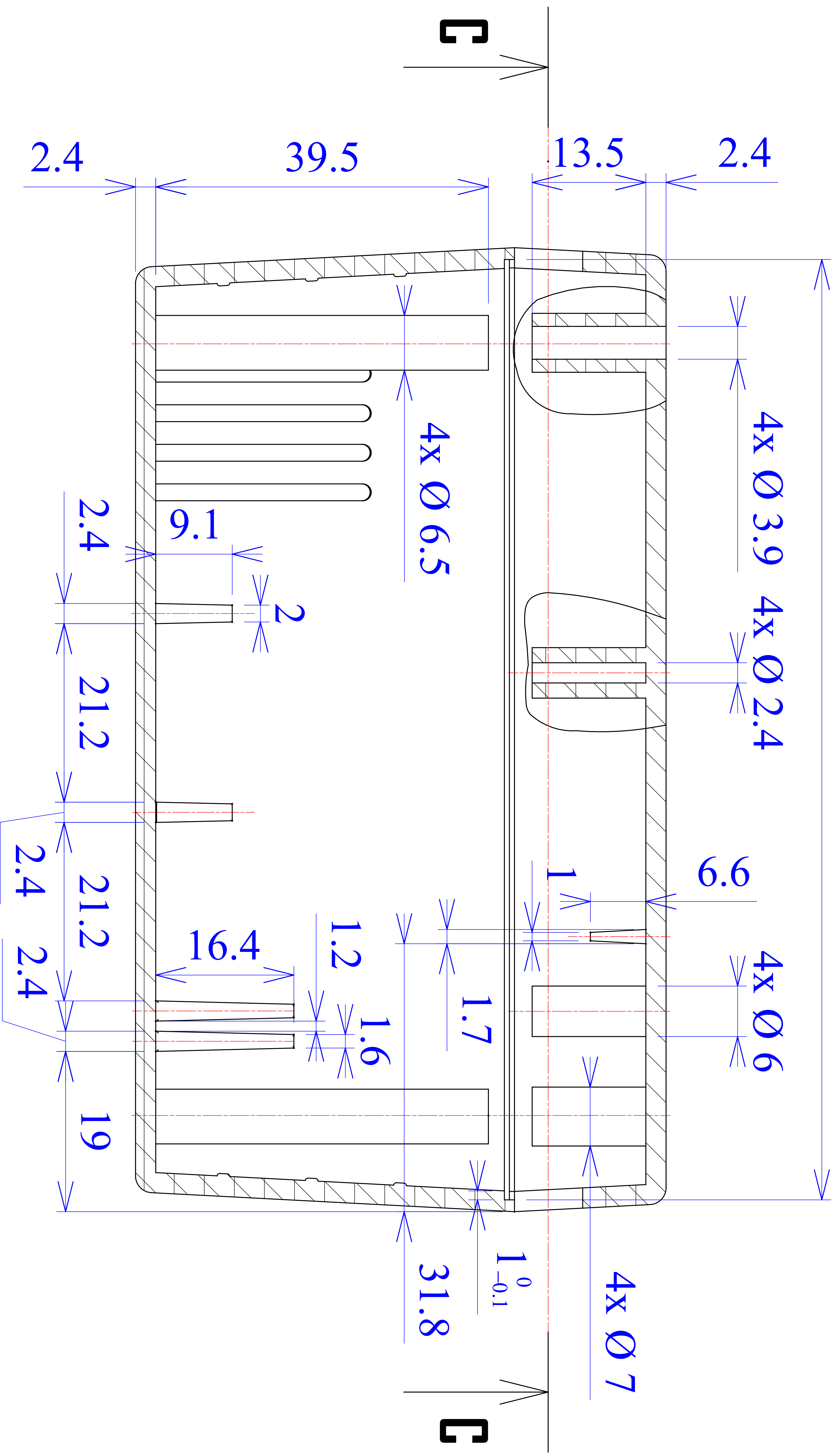
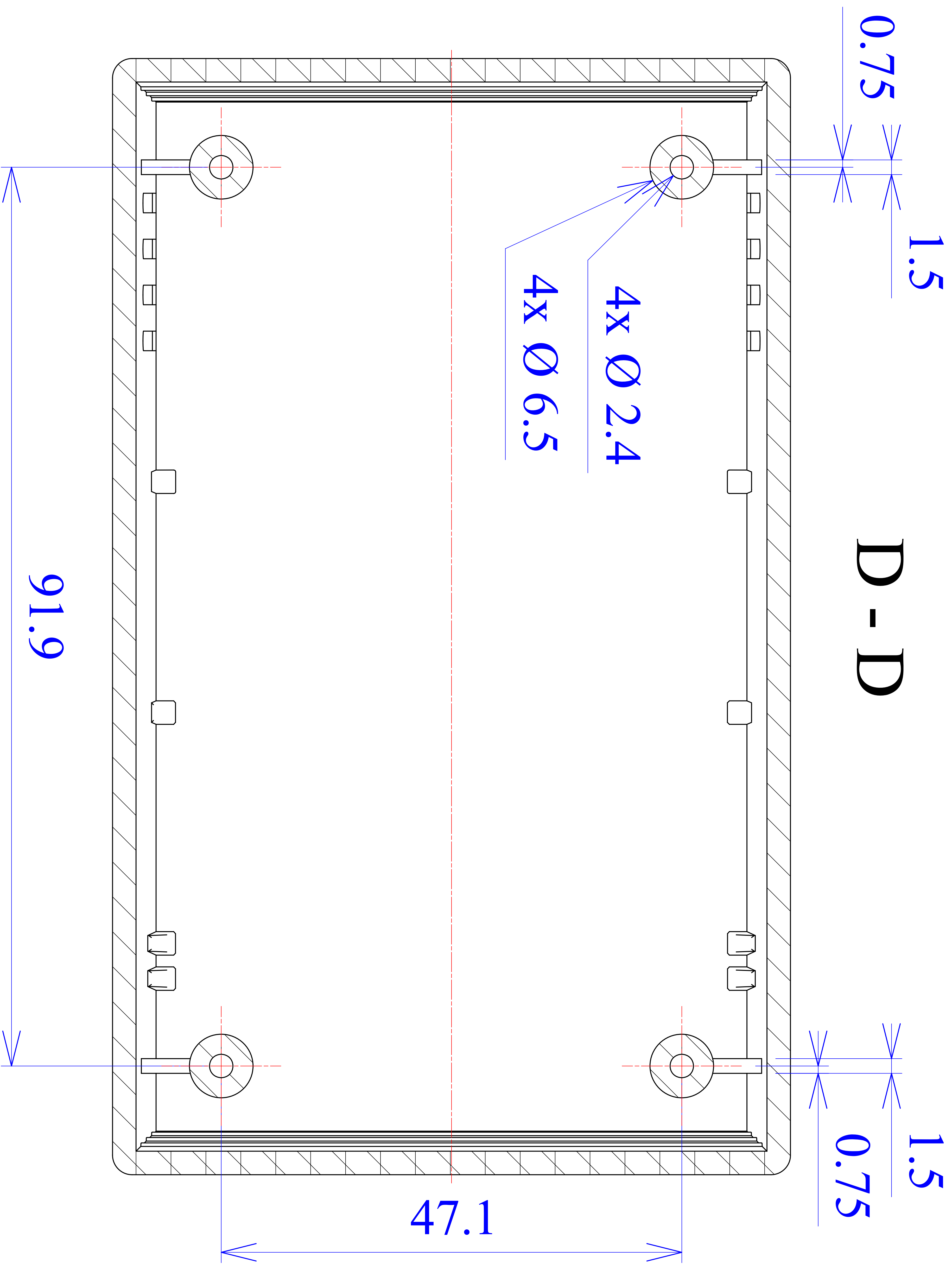
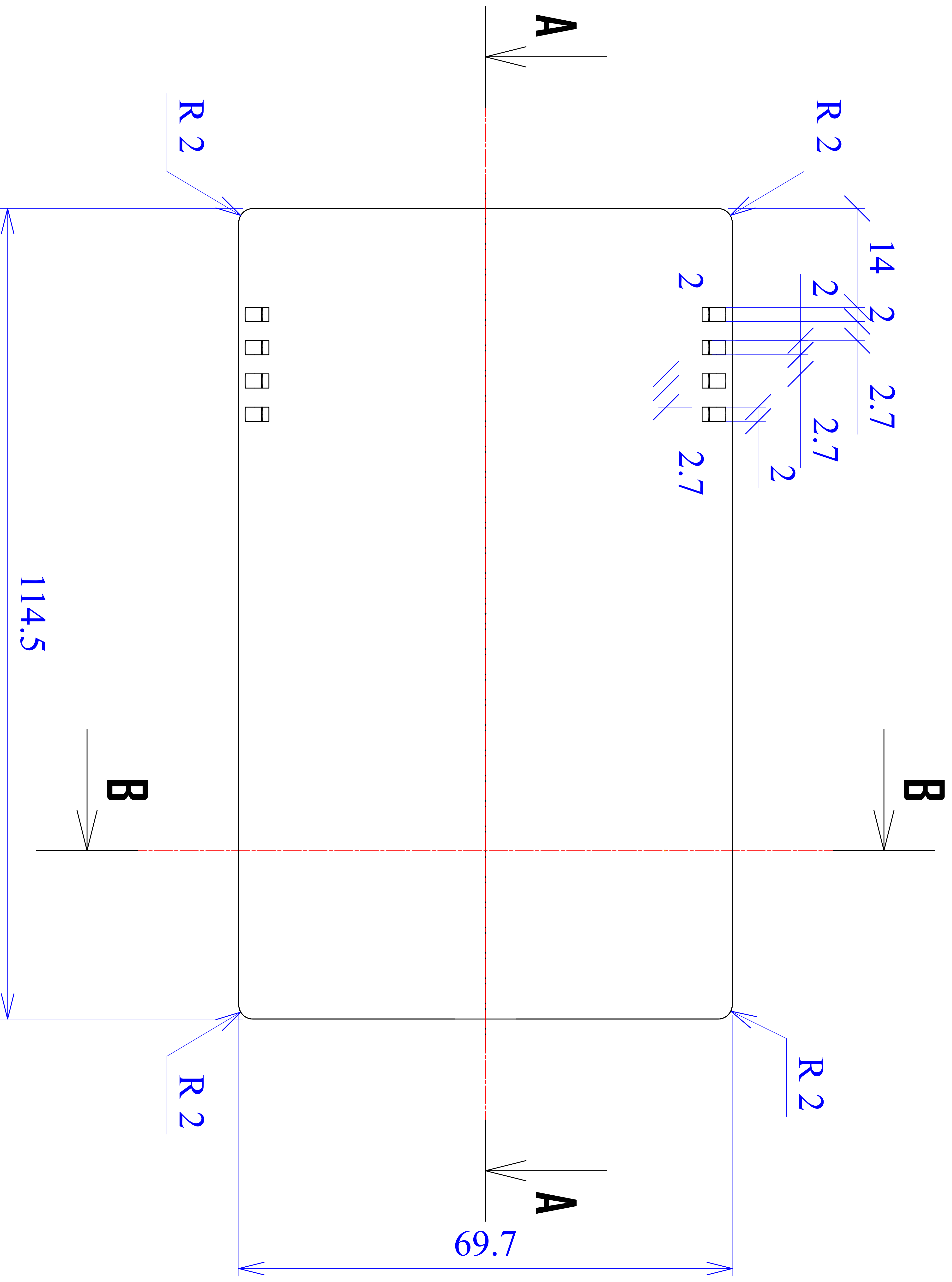


A - A

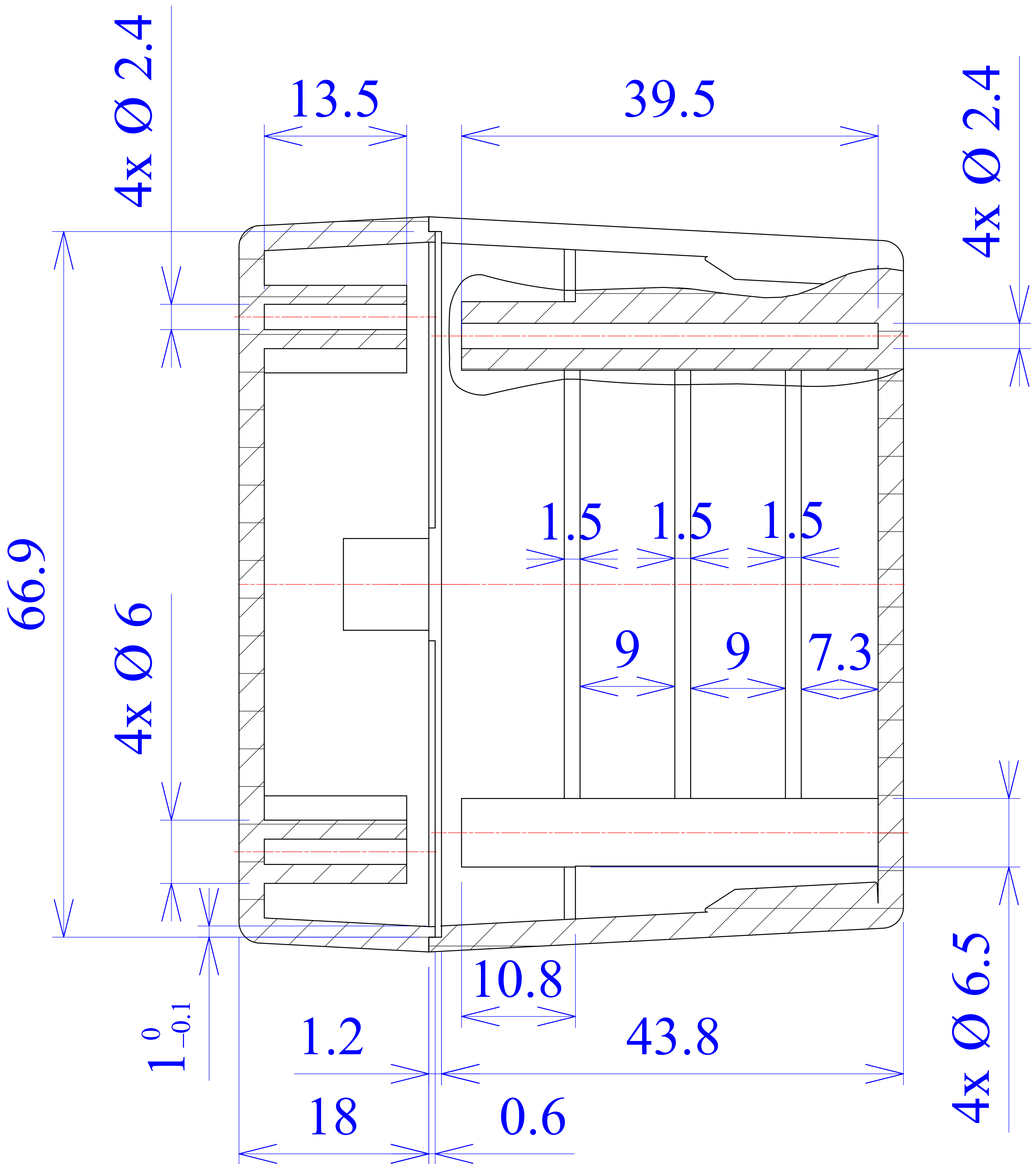
111.7

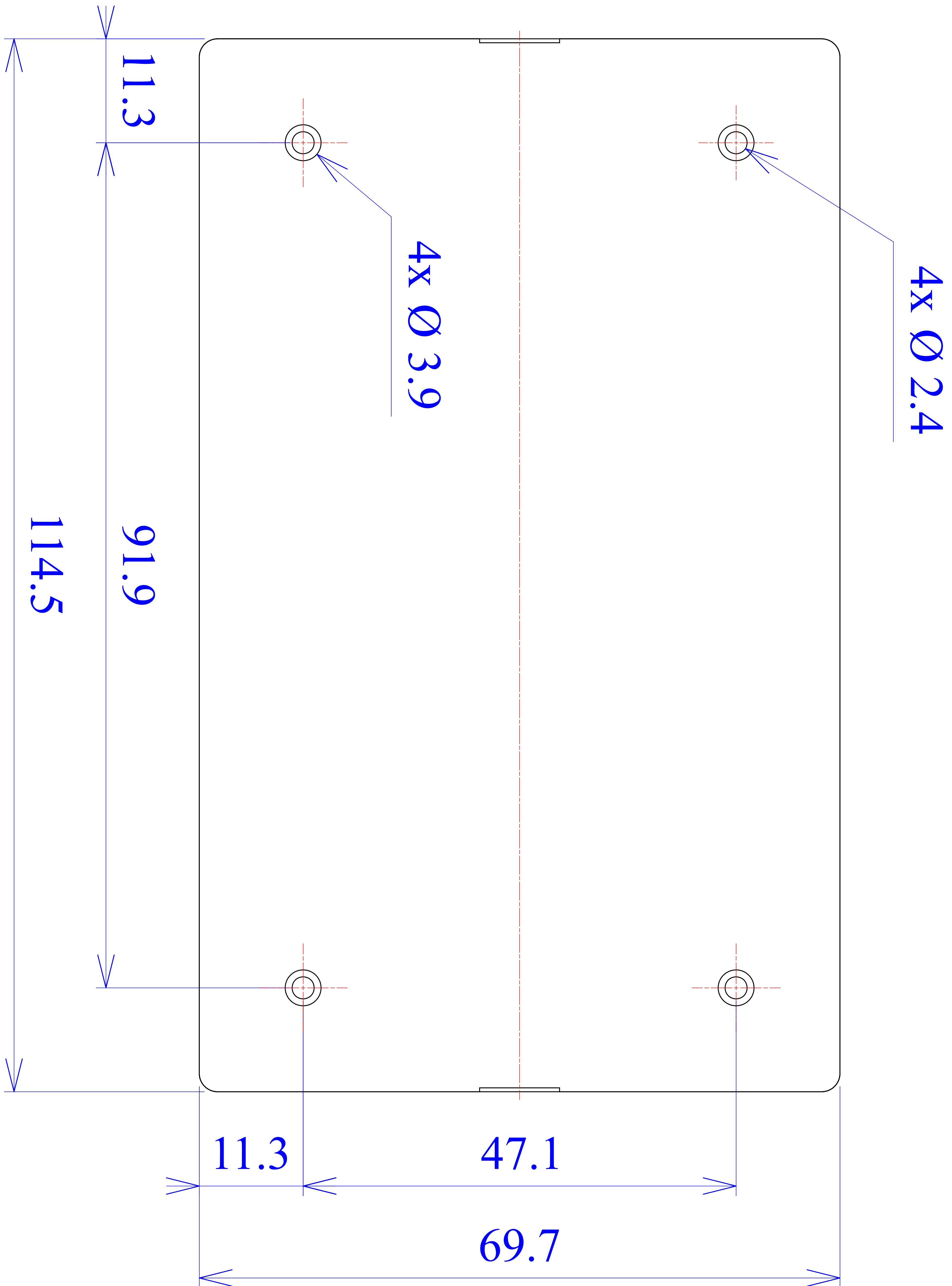


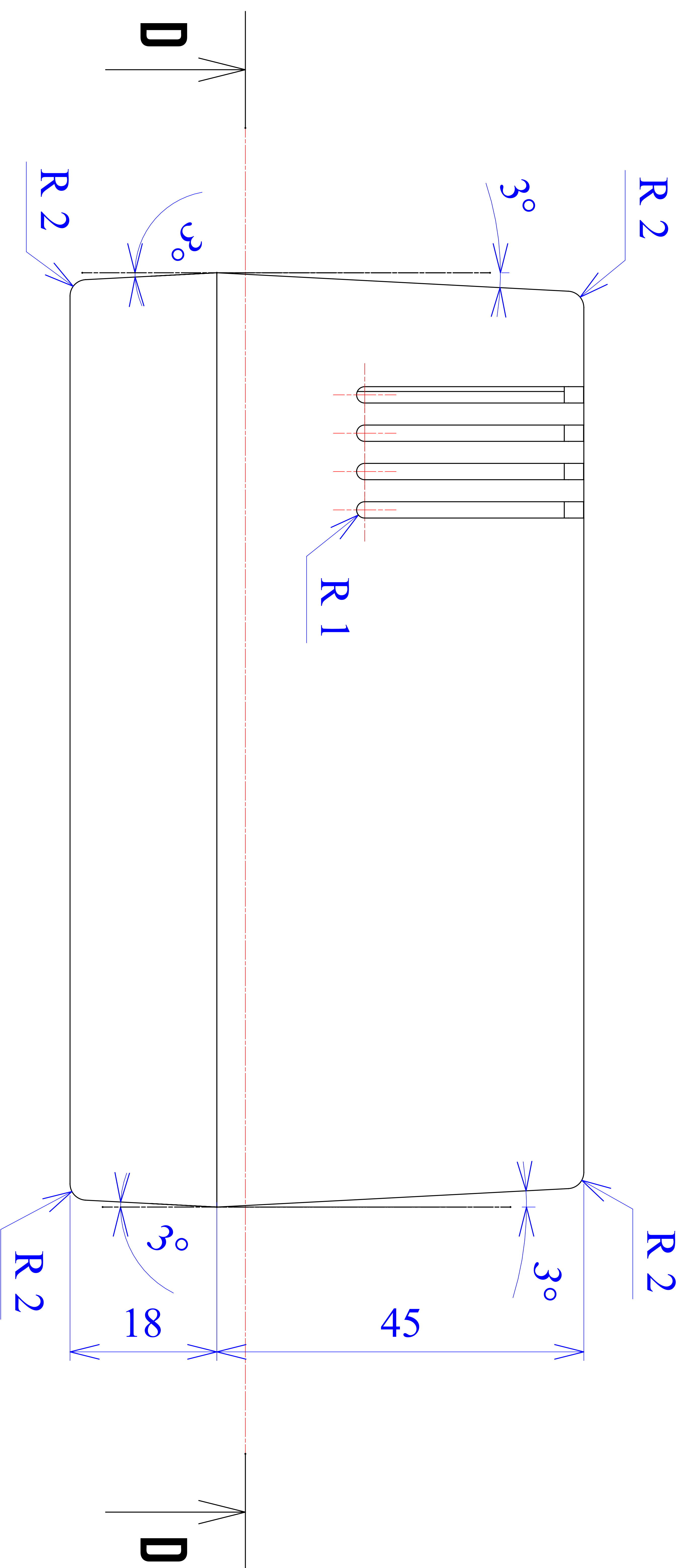


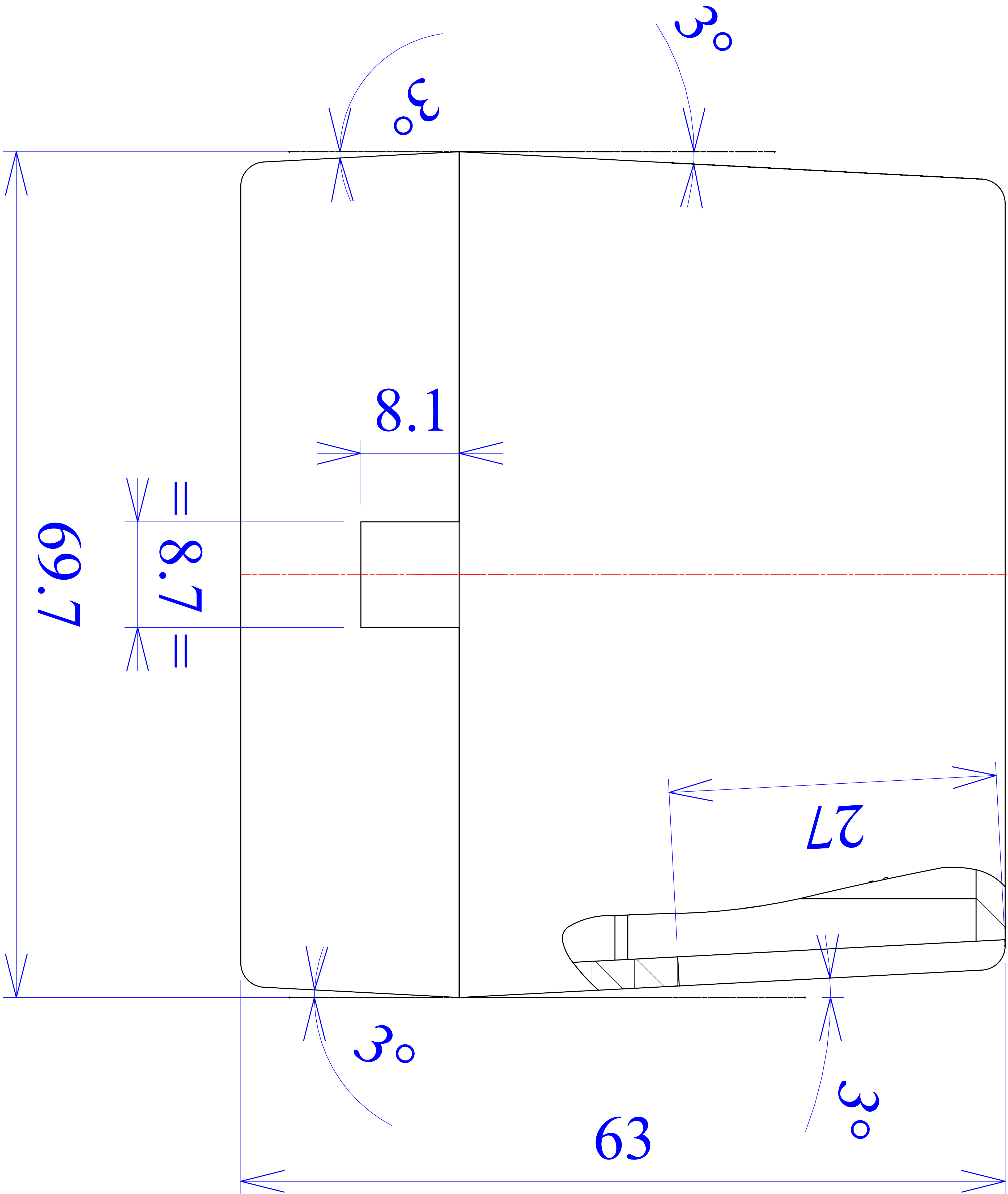


B - B









C - C

4x Ø 3.9

4x Ø 7

= 8.7 =

4x Ø 6

4x Ø 2.4

47.1

50.7

91.9

40.2

