

R 2

A

129.2

A

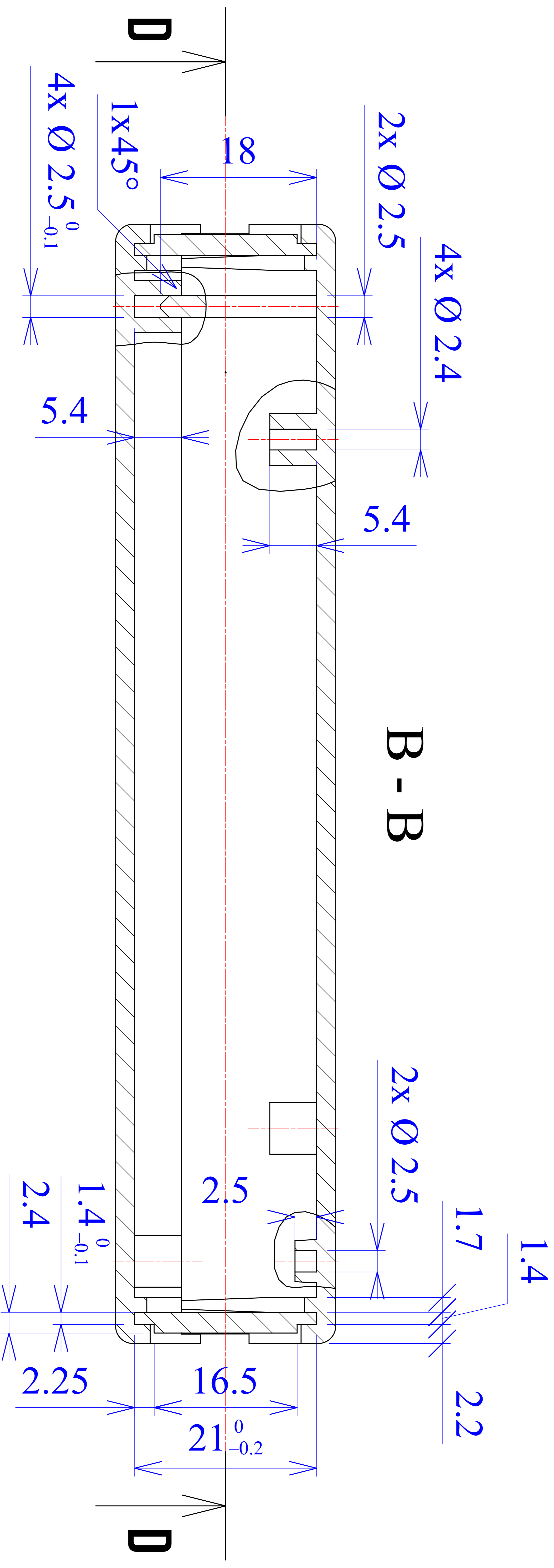
B

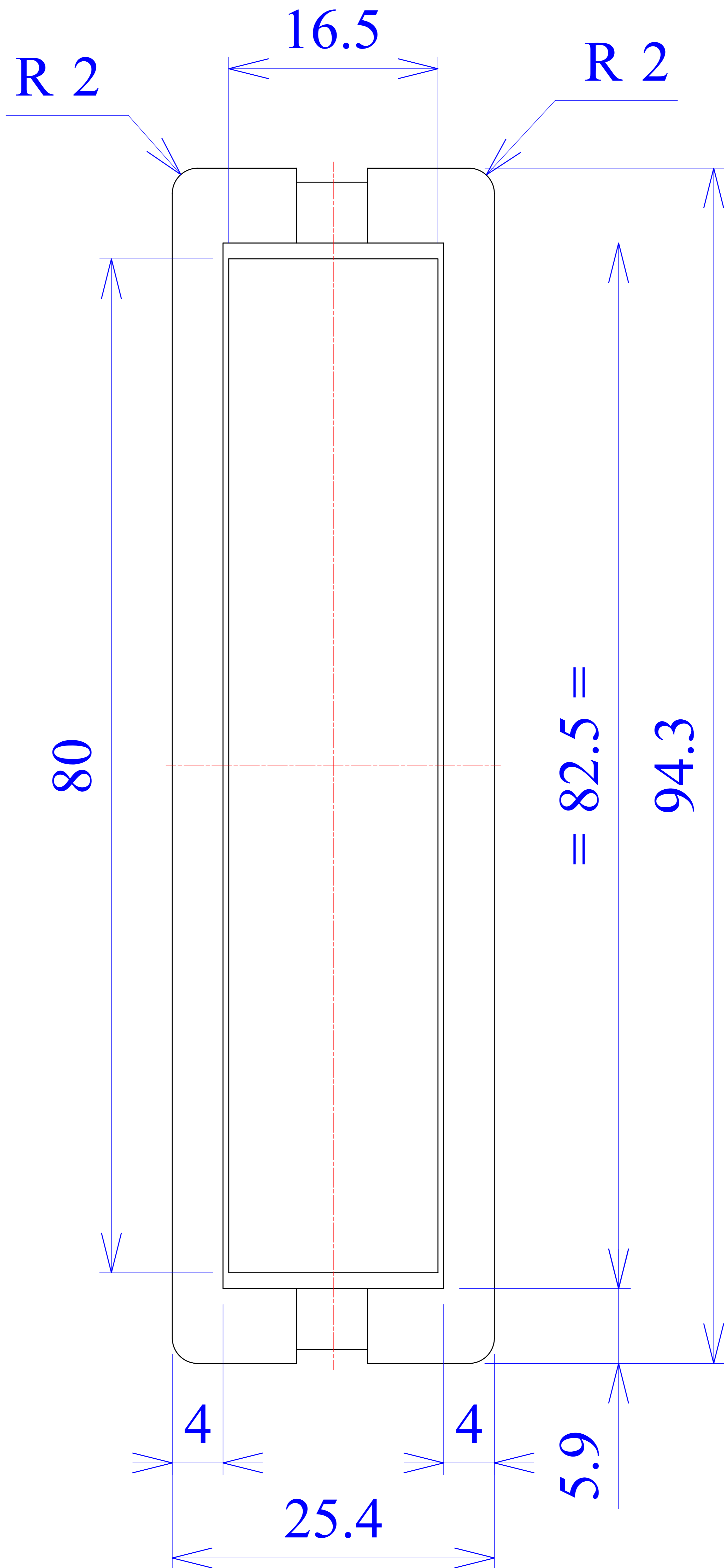
R 2

94.3

B

14





A - A

