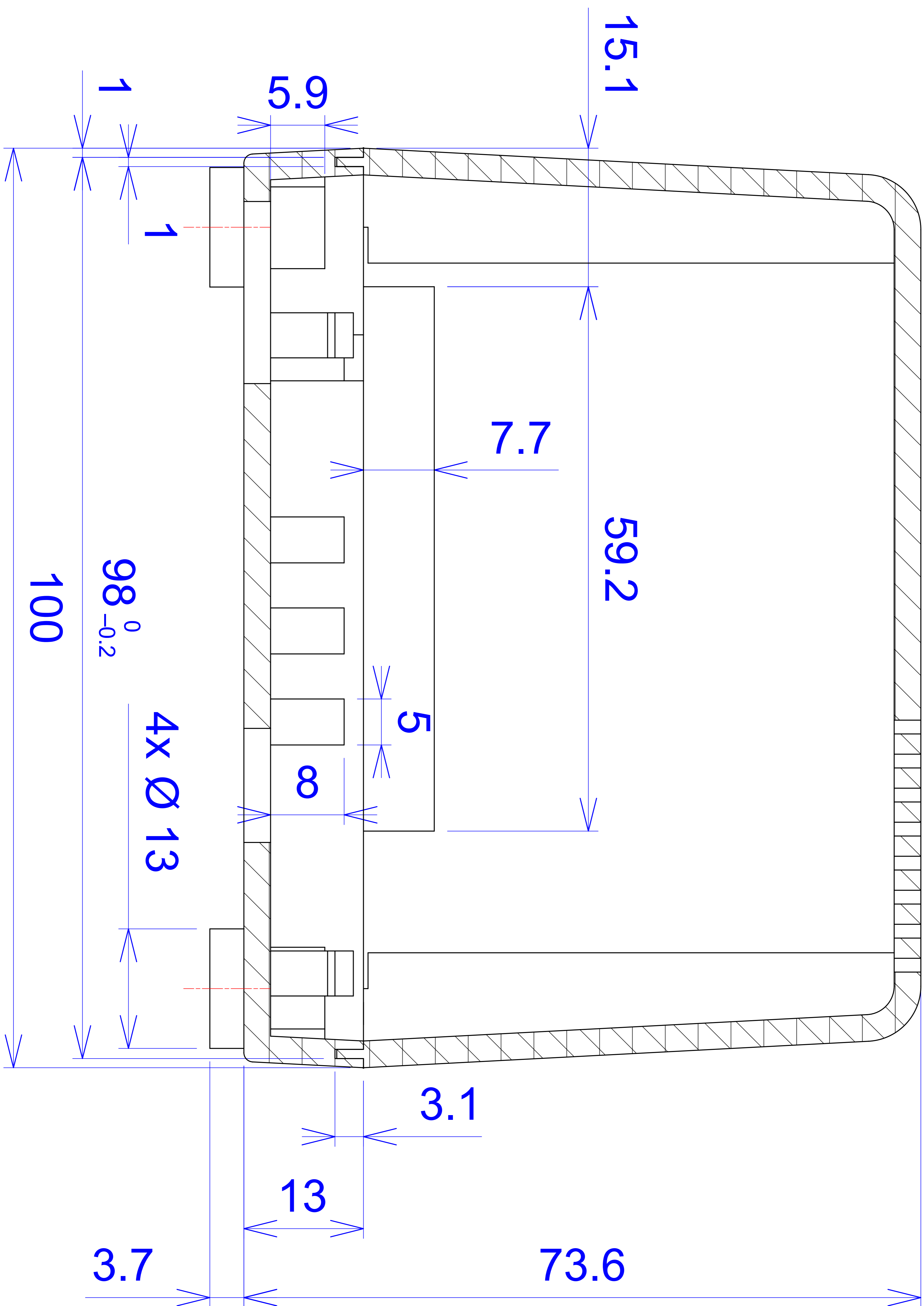
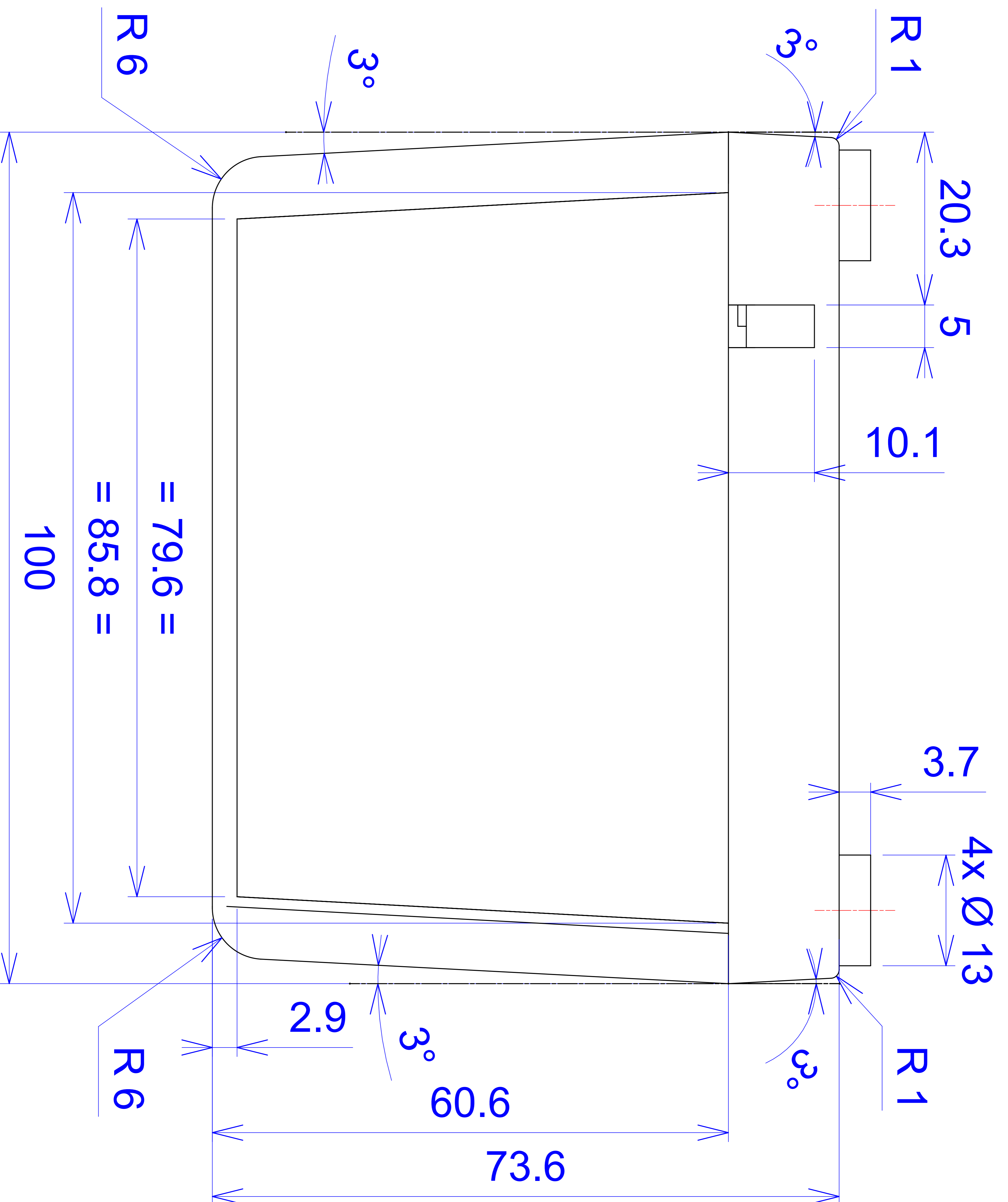
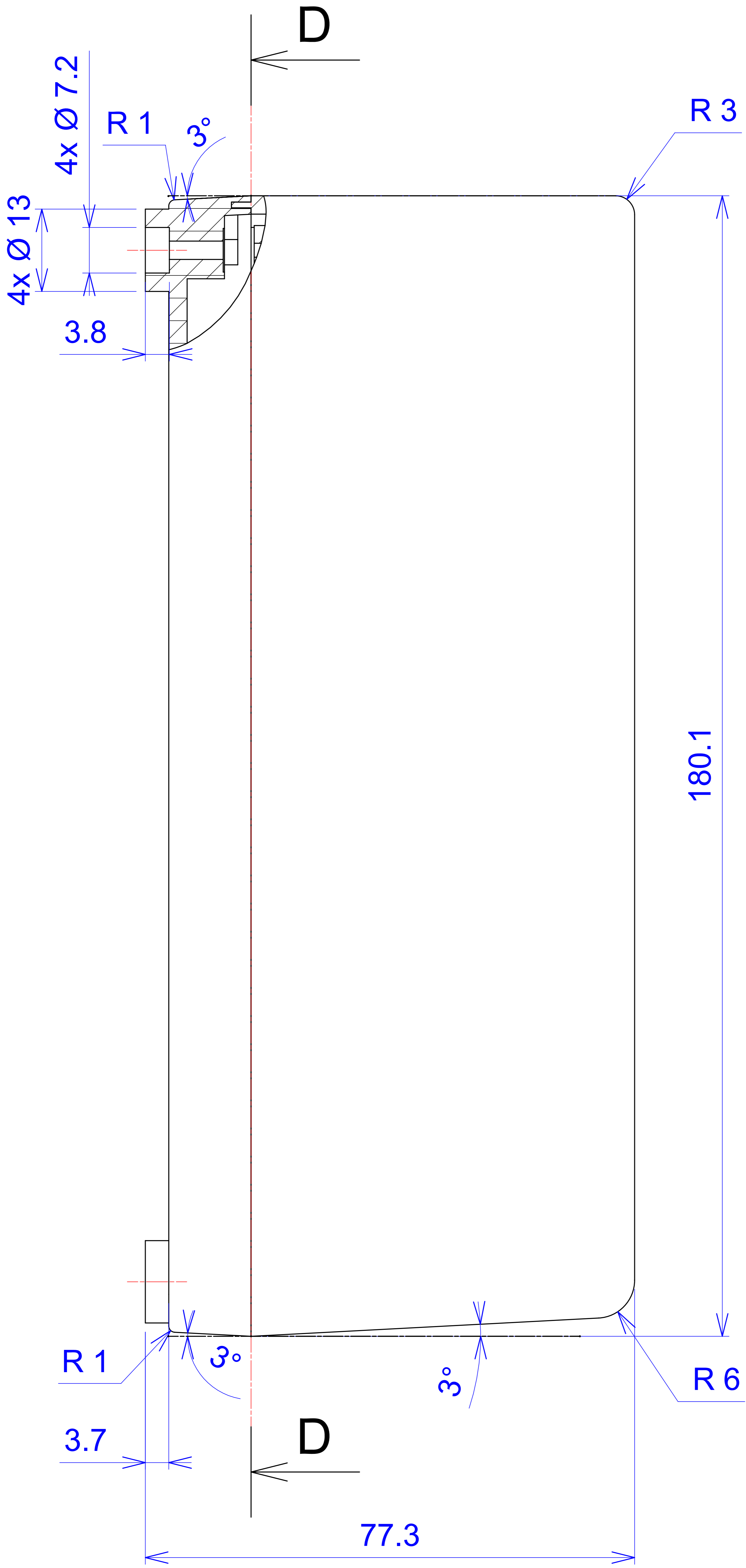
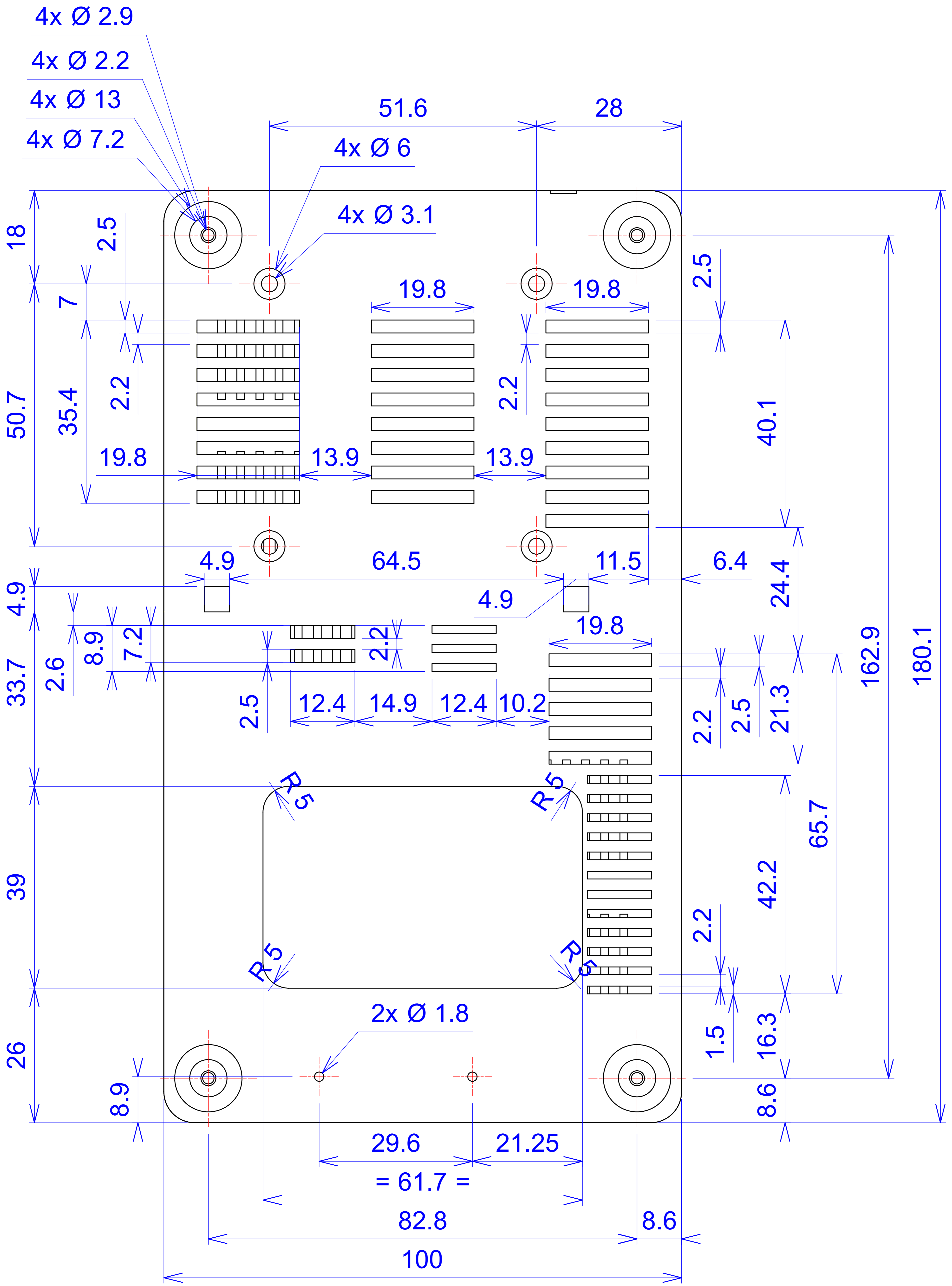


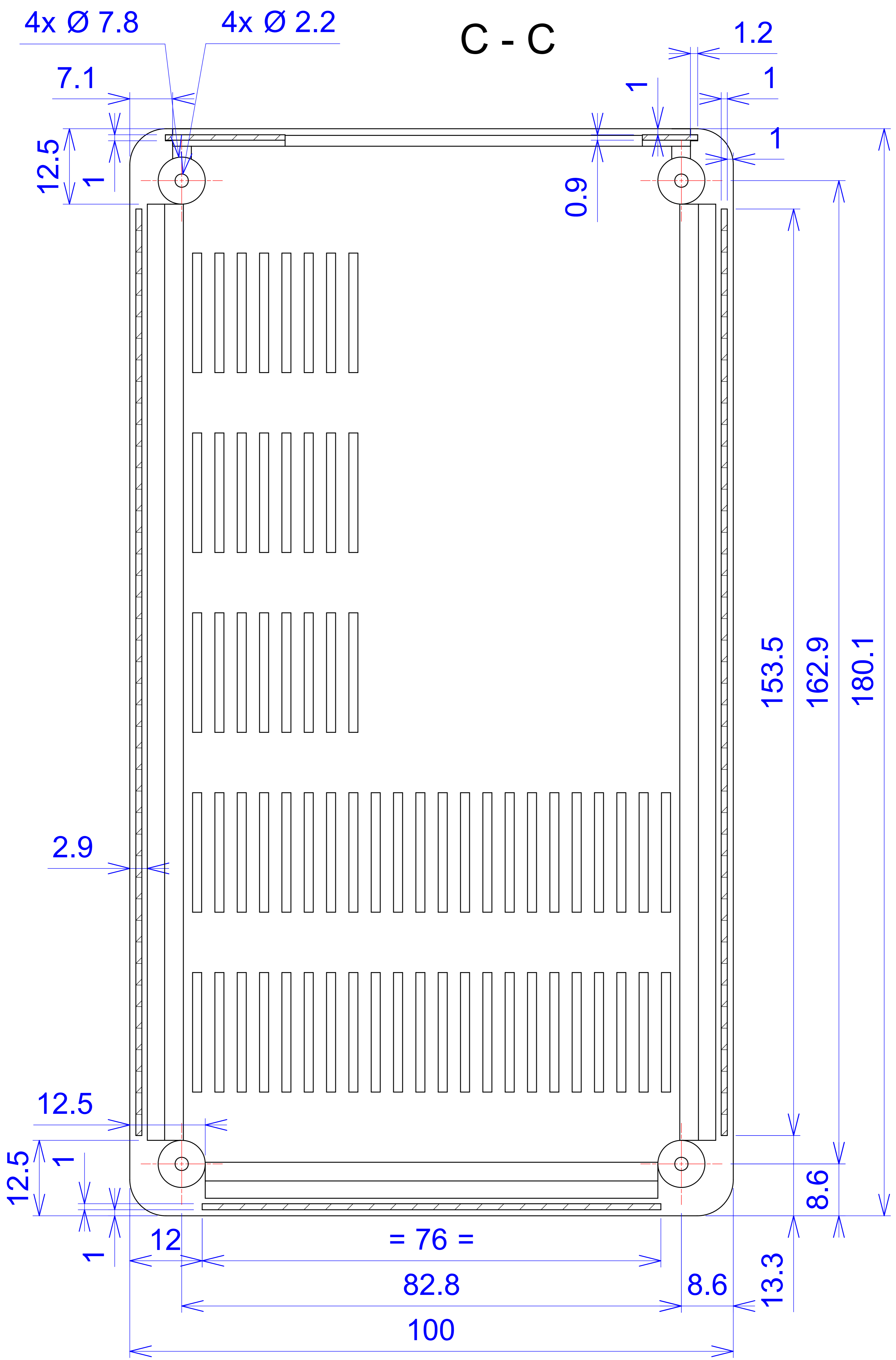
B - B











4x Ø 7.8

4x Ø 2.2

C - C

7.1

1.2

12.5

1

0.9

1

1

1

2.9

12.5

153.5

162.9

180.1

12.5

1

1

12

= 76 =

82.8

100

8.6

13.3

8.6

D - D

