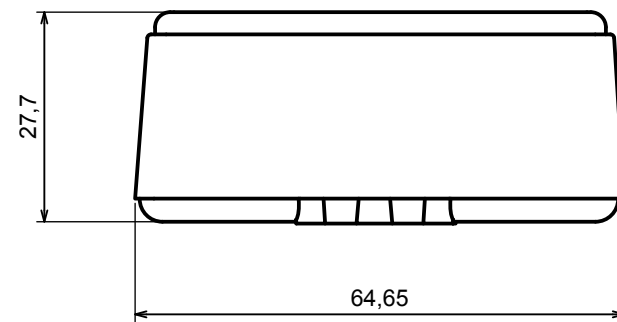
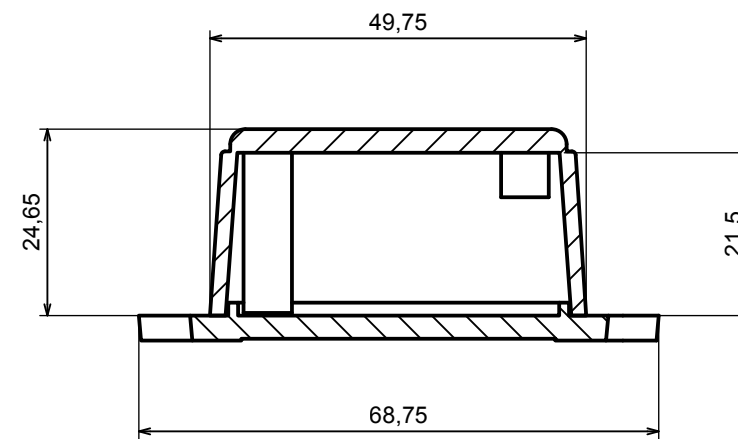


A |



A |

A-A



All rights reserved, Copyright Kradox 2017

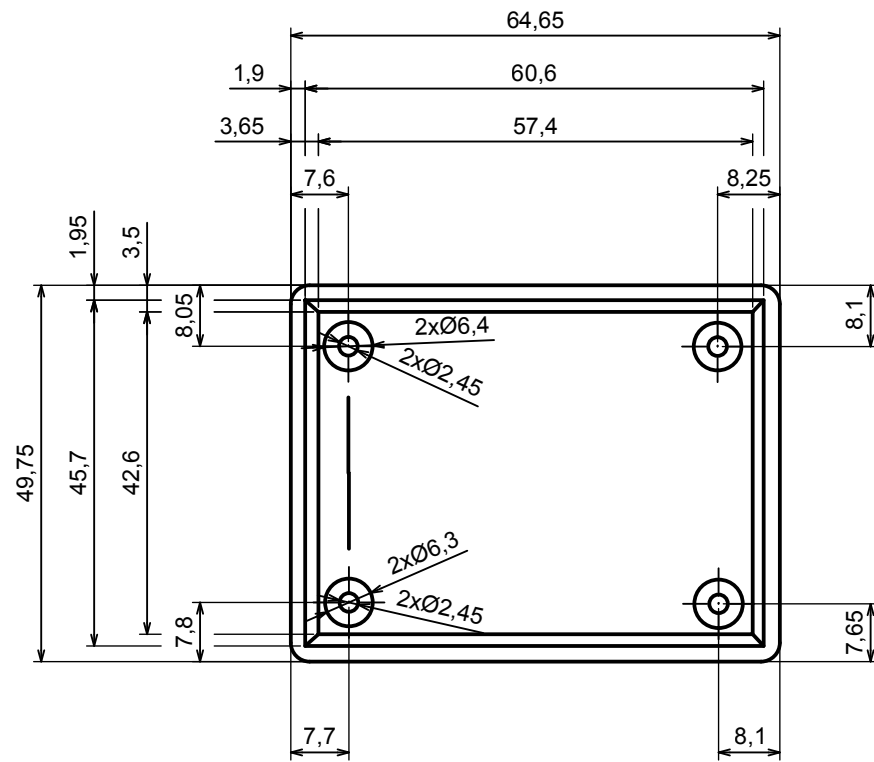
Product model Enclosure Z68U - Assembly

Format: A3 Material: PS, ABS

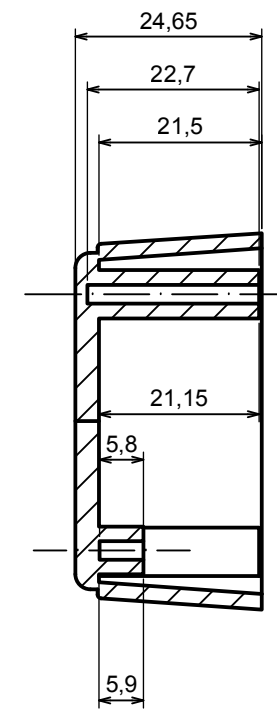
Scale 1:1 Tolerance: +/- 0.5




A |



A-A



A |

All rights reserved, Copyright Kradex 2017		
Product model	Enclosure Z68U - Cover	
Format: A3	Material: PS, ABS	
Scale 1:1	Tolerance: +/- 0.5	