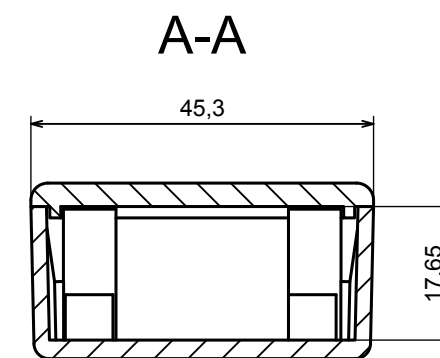


A |



All rights reserved, Copyright Kradex 2016

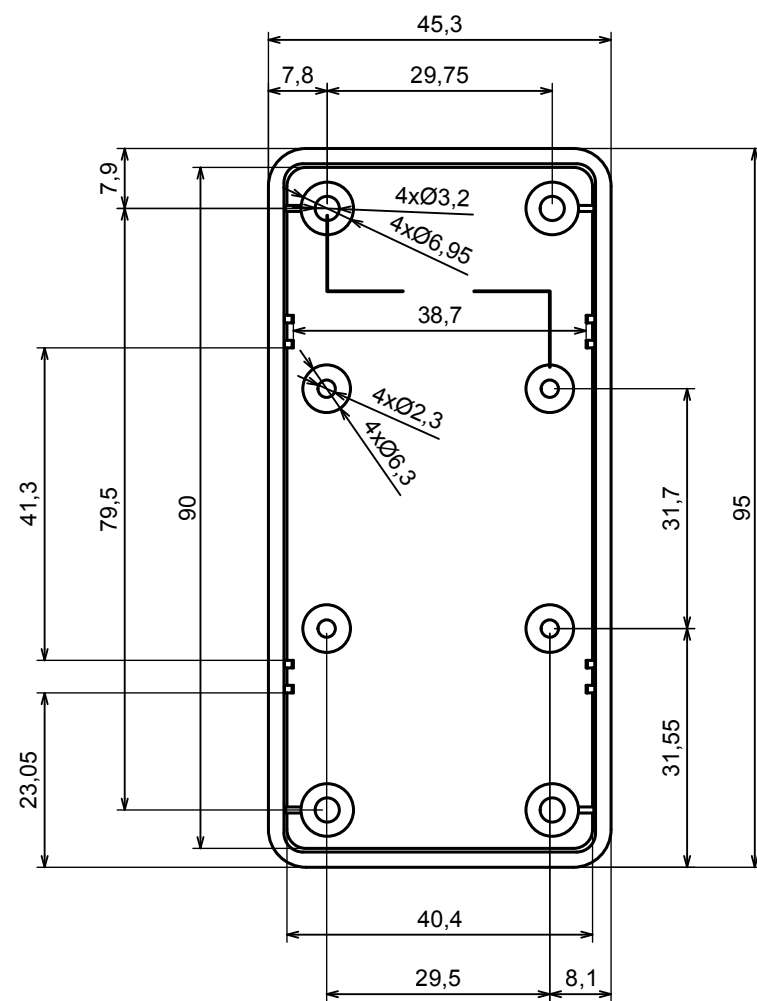
Product model Enclosure Z75 - assembly

Format: A3 Material: PS, ABS

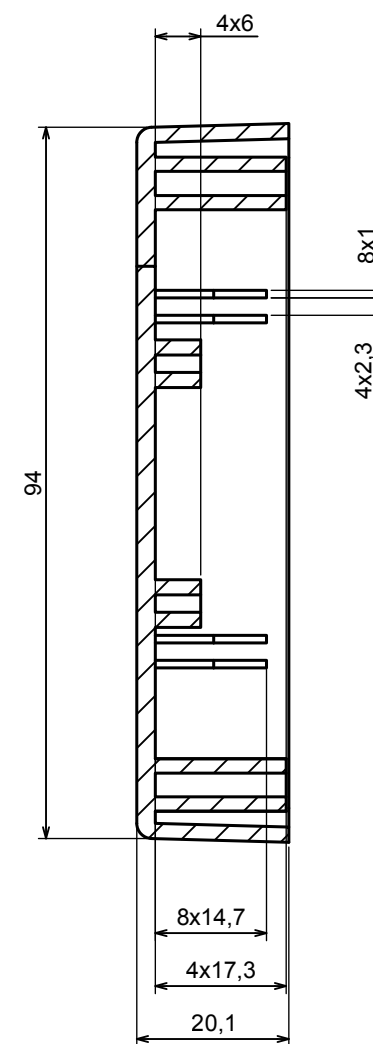
Scale 1:1 Tolerance: +/- 0.5




B |

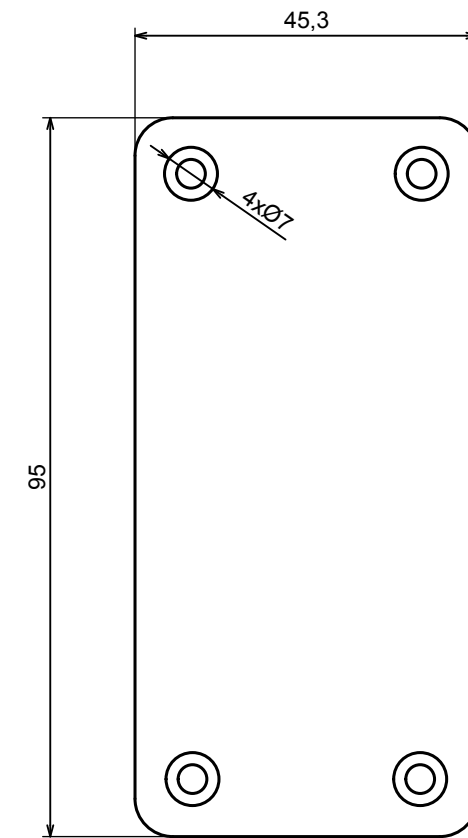
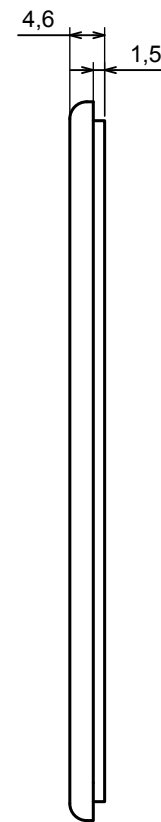
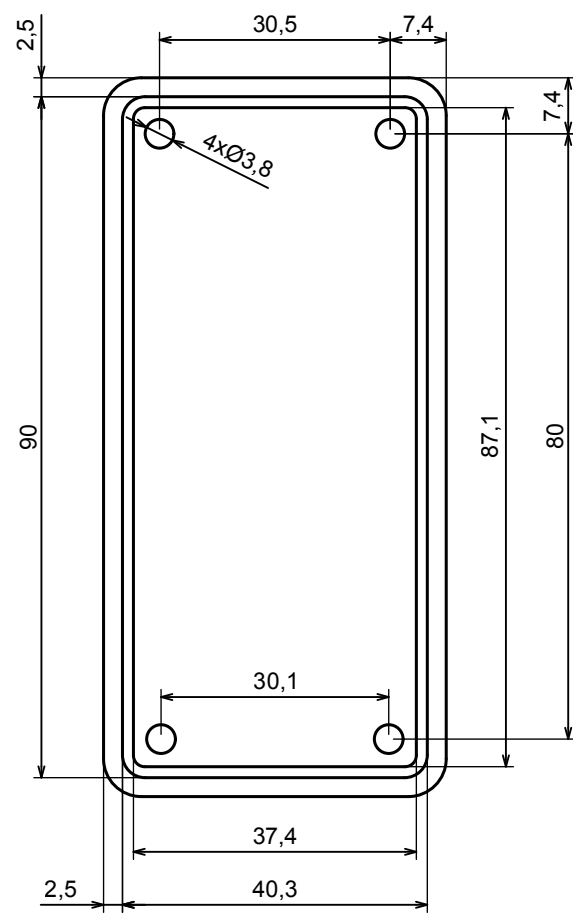


B-B



B |

All rights reserved, Copyright Kradox 2016		
Product model	Enclosure Z75 - Base	
Format: A3	Material: PS, ABS	
Scale 1:1	Tolerance: +/- 0.5	



All rights reserved, Copyright Kradex 2016

Product model: Enclosure Z75 - cover

Format: A3      Material: PS, ABS

Scale 1:1      Tolerance: +/- 0.5

