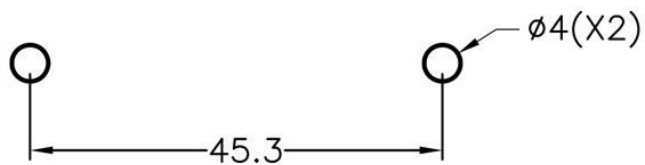
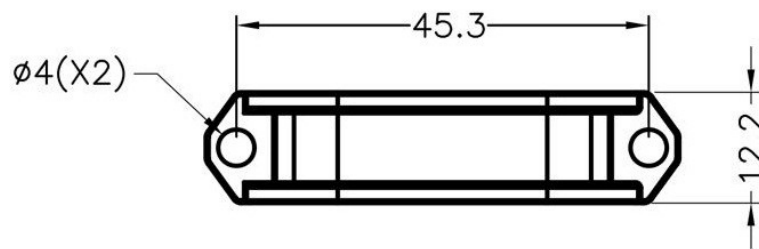
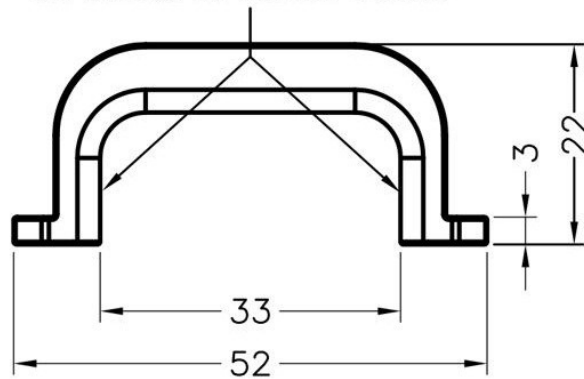


FIX-HANU-91



MATERIAL: NYLON (UL)  
FLAME CLASS: 94V-0  
COLOUR: BLACK  
UNIT: mm

Shrinking is normal status



HOLE IN CHASSIS