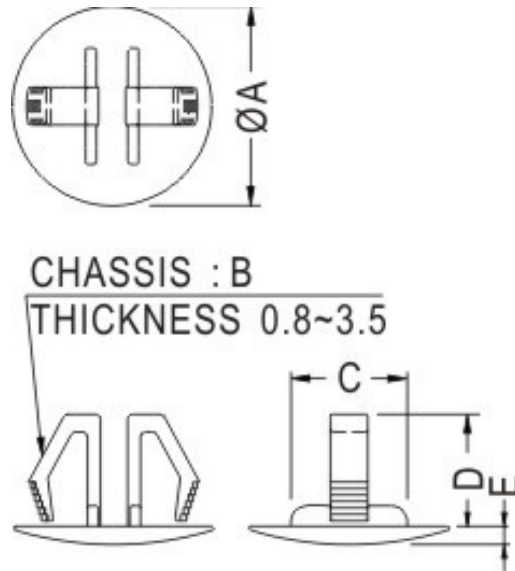




- ◆ MATERIAL: NYLON 66(UL)
- ◆ FLAME CLASS: 94V-2
- ◆ COLOR: BLACK/WHITE
- ◆ UNIT: mm



PART NO	A	B	C	D	E	PACKAGE
MBWK-1	18.5	Ø11~Ø14	9.8	10.4	1.7	500
MBWK-2	30.0	Ø22~Ø26	15.5	11.6	1.9	500