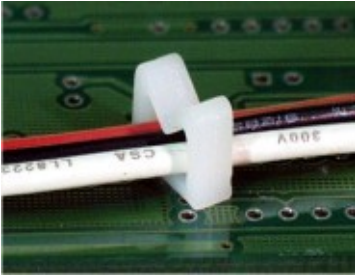
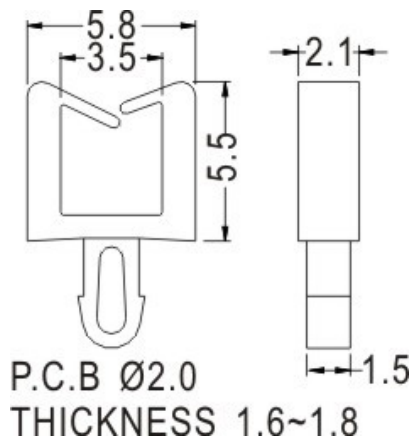


FIX-MWS

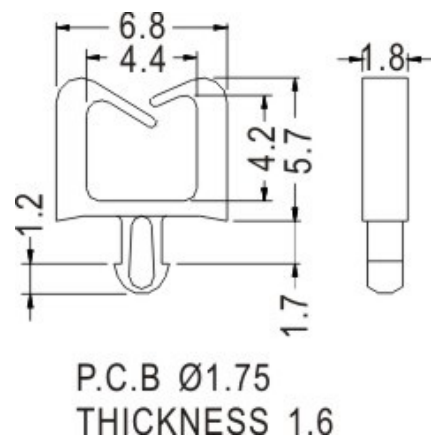


- ◆ MATERIAL: NYLON 66 (UL)
- ◆ FLAME CLASS: 94V-2
- ◆ COLOR: NATURAL
- ◆ UNIT: mm

FIX-MWS-8



FIX-MWS-16



FIX-MWS-17

