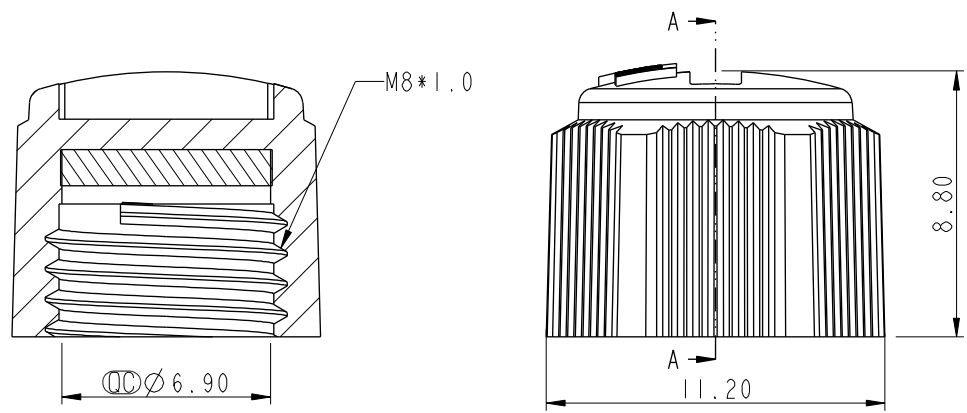
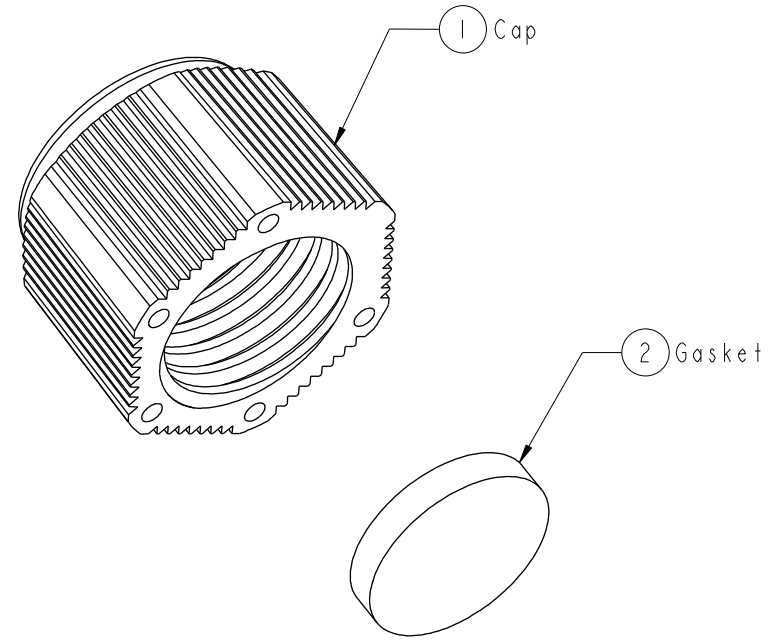
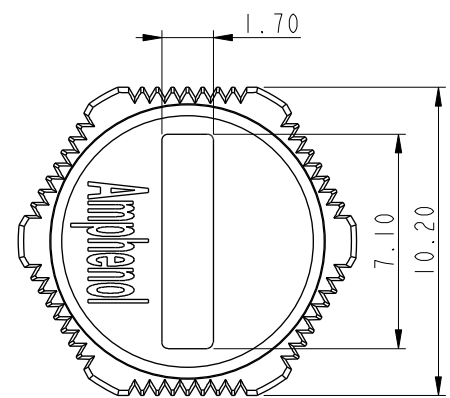


THIS DOCUMENT IS SUBJECT TO CHANGE WITHOUT NOTICE. IT IS CONFIDENTIAL AND A PROPERTY OF Amphenol LTW. DISCLOSURE TO THIRD PARTY HAS TO BE AUTHORIZED BY Amphenol LTW.

REV.	ECN NO.	DATE	SIGN	DESCRIPTION
A	Initial Release	2013-09-12	Vicky	Old Item No. CAP-WBBMSA1

**ALTW**  
 CONFIDENTIAL  
 2013-09-12  
 R&D DEPT.

**ALTW**  
 DCC. DEPT.  
 CONFIDENTIAL  
 2013.09.16  
 ISSUED



Section A-A

- Note:
- \*  $\text{C}$  Important Dimension.
  - \* Waterproof Rate: IP67
  - \* Cap: PC+ABS, Black
  - \* Gasket: EPDM, Black

UNIT:mm TOLERANCE .X ±0.25 .XX ±0.1 .XXX ±0.05 ANGLES ±1°		TITLE Waterproof Cap M8*1.0P For Male Conn Screw Type		<h1>Amphenol LTW</h1> <h2>安費諾亮泰企業股份有限公司</h2>		ITEM NO CAP-WBBMSMA1	DRAWN BY Vicky	DATE 2013-09-12
		SCALE 4:1	SIZE A4	SHEET 1 OF 1	DWG NO CAP-WBBMSMA1	CHECKED BY Sam	DATE 2013-09-12	
		REV. A	WC-REV. A.1	$\text{C}$ : Inspection item	CUSTOMER ALTW	APPROVED BY Rita	DATE 2013-09-12	