


Part number

CKAX 03 IA



Brief description:

angled bulkhead housings with single lever, size "21.21", without cable gland, metal version, IP44, IP66/IP67 degree of protection with CKR 65 kit or CKR 65 D kit.

Product description		Approvals / Standards	
Version	Metallic type	Quality mark	UL type: 12, (type 4/4X only with kit CKR 65 or CKR 65 D),  , EAC
Series	Angled mounting housings with 1 lever	Conformity	CQC, CE
Product type	with stainless steel lever	General ordering information	
Variant	without cable gland	EAN13 code	8015747027533
Family	CKA metal enclosures	Packaging Information	
Size	size "21.21"	Packaging length	330,00 mm
Technical data		Packaging height	230,00 mm
Operating temperature range (min, max)	-40°C ... +125°C	Packaging width	205,00 mm
Material	metal	Packaging weight	5,56 kg
IP degree of protection	IP44 (IP66/IP67/IP69 with CKR 65/CKR 65 D kits)	Packaging volume	15,56 dm ³
Further technical details		Packaging description	Carton box
Weight	48,00 g	Packaging quantity	100 Pcs
		Packaging EAN code	8015747233996
		Sub-packaging length	185,00 mm
		Sub-packaging height	40,00 mm
		Sub-packaging width	155,00 mm
		Sub-packaging weight	0,56 kg
		Sub-packaging volume	1,15 dm ³
		Sub-packaging description	Carton box
		Sub-packaging quantity	10 Pcs
		Sub-packaging EAN barcode	8015747027540

Part number

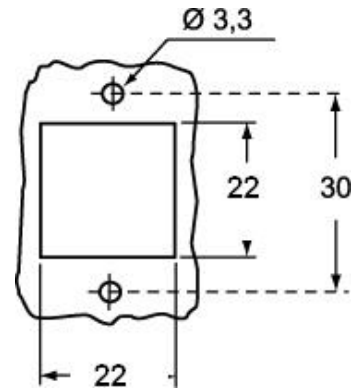
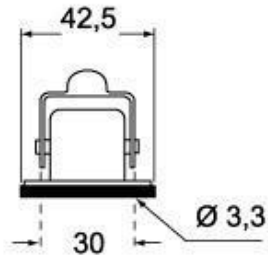
CKAX 03 IA



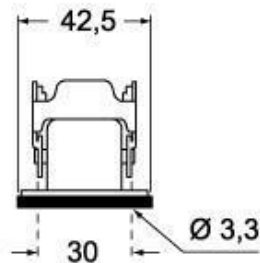
Catalogue drawings

Catalogue drawings

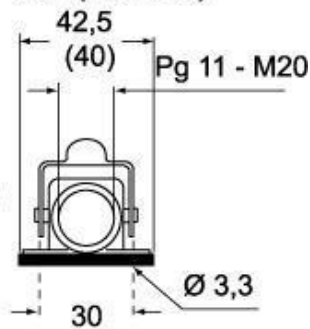
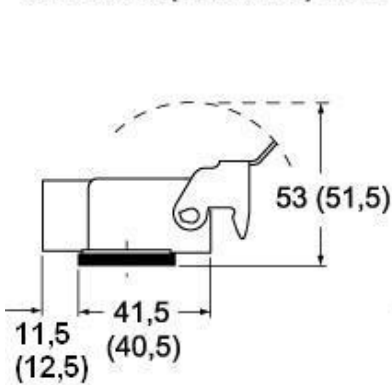
CKA IA



CKAX IA



CKA IAPS (CKA APS) MKA - IAP (MKA AP)



CKAX IAPS (CKAX APS) - MKAX IAP (MKAX AP)

