



Part number

# CNEM 16 RY



## Brief description:

male insert, 16 poles + PE, screw terminal connections, 16A, 500V, 6kV, 3, silver plated, size "77.27" 180°C version, CLASS insert series

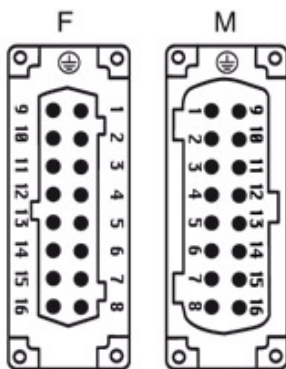
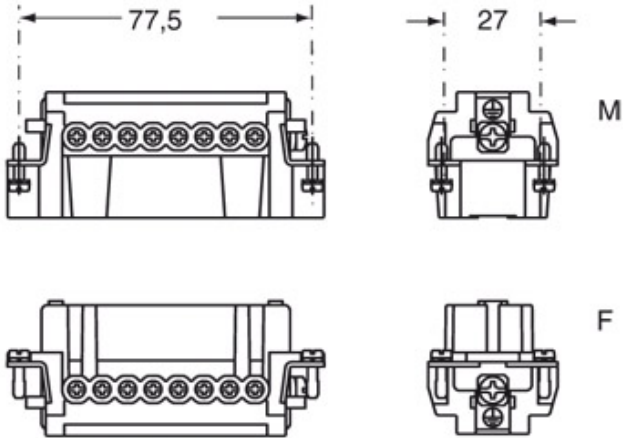
Product description		Approvals / Standards	
<b>Model</b>	male insert	<b>Reference standard</b>	EN 61984:2009-06
<b>Version</b>	screw terminal connection	<b>Quality mark</b>	 DNV-GL, EAC
<b>Series</b>	CNE RY	<b>Conformity</b>	CQC, CE
<b>Product type</b>	with male contacts	General ordering information	
<b>Variant</b>	with plate	<b>EAN13 code</b>	8015747109062
<b>Style</b>	for applications up to 180°C	<b>ETIM classification</b>	EC000438
<b>Family</b>	Insert	Packaging Information	
<b>Size</b>	size "77.27" 180°C version	<b>Packaging length</b>	230,00 mm
<b>N. of poles</b>	16 poles + 	<b>Packaging height</b>	110,00 mm
Technical data		<b>Packaging width</b>	180,00 mm
<b>Current</b>	16 A	<b>Packaging weight</b>	2,89 kg
<b>Voltage</b>	500 V	<b>Packaging volume</b>	4,55 dm <sup>3</sup>
<b>Rated impulse withstand voltage</b>	6 kV	<b>Packaging description</b>	Carton box
<b>Pollution degree</b>	3	<b>Packaging quantity</b>	30 Pcs
<b>Wire cross-section</b>	0,50 mm <sup>2</sup> - 4,00 mm <sup>2</sup>	<b>Packaging EAN code</b>	8015747109970
<b>AWG size</b>	20 - 12	<b>Sub-packaging length</b>	87,00 mm
<b>Operating temperature range (min, max)</b>	-40°C ... +180°C	<b>Sub-packaging height</b>	36,00 mm
<b>Contact material</b>	silver plated	<b>Sub-packaging width</b>	180,00 mm
<b>Mating cycles</b>	≥ 500	<b>Sub-packaging weight</b>	0,48 kg
<b>IP degree of protection</b>	IP20 without enclosure, IP65 with enclosure	<b>Sub-packaging volume</b>	0,56 dm <sup>3</sup>
<b>PE wire cross-section</b>	0,14 - 4 mm <sup>2</sup> ; AWG 20 - 12	<b>Sub-packaging description</b>	Carton tray
Further technical details		<b>Sub-packaging quantity</b>	5 Pcs
<b>Characteristics according to EN 61984</b>	16A 500V 6kV 3; 16A 400/690V 6kV 2	<b>Sub-packaging EAN barcode</b>	8015747109987
<b>Insulation resistance</b>	≥ 10 GΩ		
<b>Rated voltage according to UL/CSA</b>	600V		
<b>UL 94 flammability rating</b>	V-0		
<b>Conductors stripping length</b>	7 mm		
<b>Weight</b>	86,00 g		

Part number

# CNEM 16 RY



## Catalogue drawings



## Notes

CNEF/M 16 RY inserts:

- characteristics according to EN 61984:
  - 16A 500V 6kV 3
  - 16A 400/690V 6kV 2
- rated voltage according to UL/CSA: 600V
- insulation resistance: > 10 GOhm
- ambient temperature limit: -40 °C ... +180 °C
- are made of self-extinguishing thermoplastic resin UL 94 V0
- mechanical life: > 500 cycles
- contact resistance: < 1 mOhm
- for maximum current load
- enclosures: size 77.27:

for 180 °C

- CNE...RY: for non-prepared conductors
- inserts with plate for section conductors:
  - 0.5 - 4 mm<sup>2</sup> - AWG 20 - 12
- conductors stripping length: 7 mm
- terminal screw torque: 0.5 Nm

