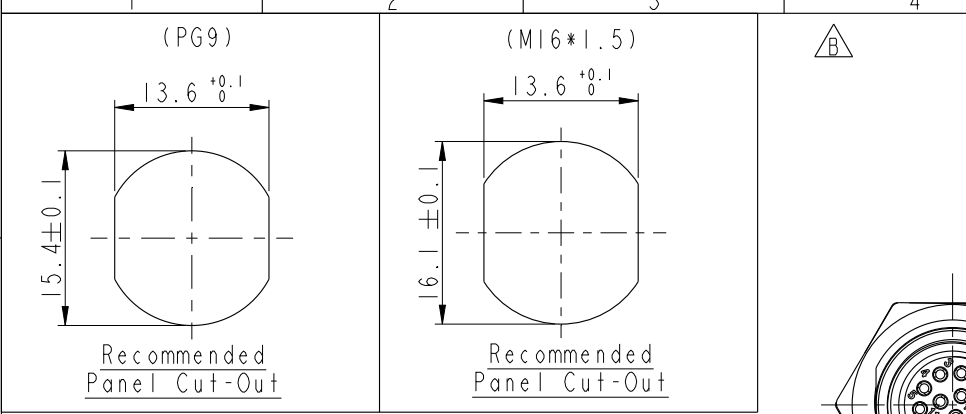


THIS DOCUMENT IS SUBJECT TO CHANGE WITHOUT NOTICE. IT IS CONFIDENTIAL AND A PROPERTY OF Amphenol LTW. DISCLOSURE TO THIRD PARTY HAS TO BE AUTHORIZED BY Amphenol LTW.

REV.	ECN NO.	DATE	SIGN	DESCRIPTION
B	LEN1570211-218 LE31570192-195	2015/07/17	Yulong_wang	Change to Share Drawing.
C	LEN1680919-930	2016/08/05	Yulong_wang	Add 6Pin & IP69K



M 12A - XX P F F S - S H 8 XXX

12A: A-Code

03: 3Pin
04: 4Pin
05: 5Pin
06: 6Pin $\triangle C$
08: 8Pin
10: 10Pin
12: 12Pin

P: Panel (板端)
F: Female Connector (母座)

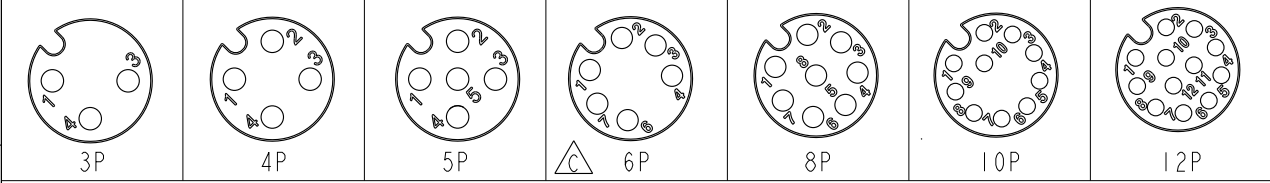
001: PG9
002: M16*1.5

8: IP68/69K (防水等級68/69K) $\triangle C$

H: Rear Fasten (后鎖式/Enclosure Front Mount)

S: Screw (螺紋式)
S: Solder Type (焊接式)
F: Female Pin (母Pin)

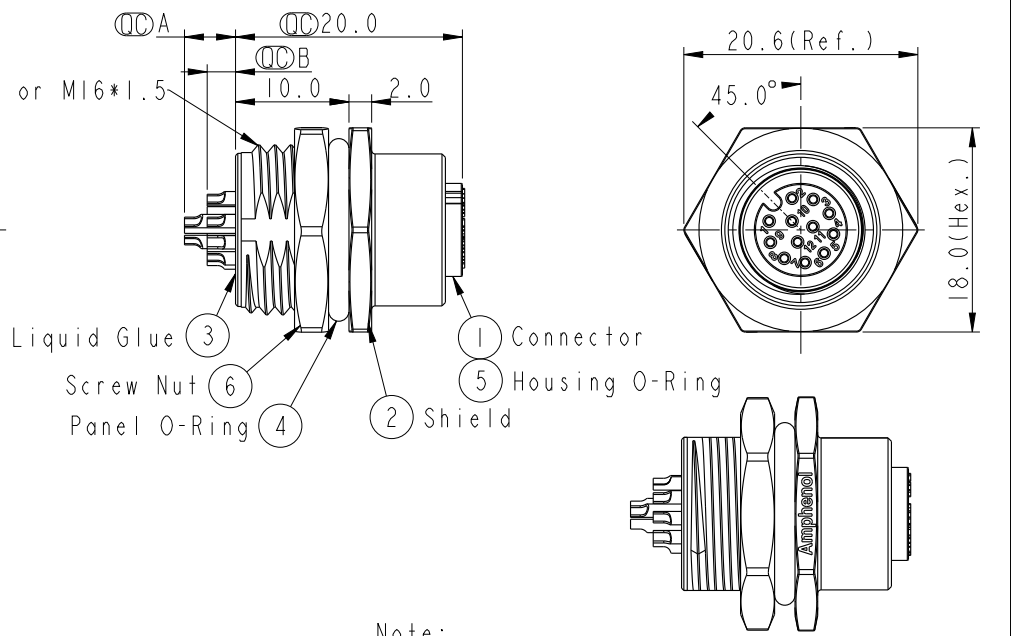
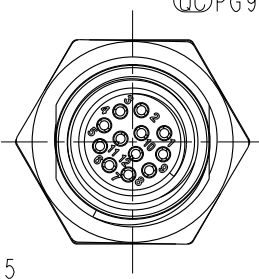
M12A-03PFFS-SH8XXX		2.5
M12A-04PFFS-SH8XXX		2.5
M12A-05PFFS-SH8XXX		2.5
M12A-06PFFS-SH8XXX		2.5
M12A-08PFFS-SH8XXX		2.5
M12A-10PFFS-SH8XXX	4.5	2.5
M12A-12PFFS-SH8XXX	4.5	2.5
Item No.	A	B
	Pin伸出長度	



Pin Assignment Front View

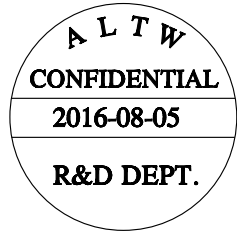
UNIT: mm		TITLE M12 A-Code Female Conn. Solder Rear Type
TOLERANCE .X ±0.25 .XX ±0.1 .XXX ±0.05 ANGLES ±1°	SCALE 3:2	SIZE A4
	REV. C	SHEET 1 OF 1
	WC-REV. A.5	QC: Inspection item

Amphenol LTW
安費諾亮泰企業股份有限公司



Note:

- * $\triangle C$ Important Dimension.
- * Waterproof Rate: IP68, IP69K
- * Housing: Nylon+GF, Black.
- * Female Pin: Copper Alloy, Gold Plated.
- * Shield: Zinc Alloy, Nickel Plated.
- * Screw Nut: Zinc Alloy, Nickel Plated.
- * Panel O-Ring: Viton, Black.
- * Housing O-Ring: Viton, Green.
- * Rated Voltage: 3 & 4Pin 250V dc. or ac.
5Pin 60V dc. or ac.
6~12Pin 30V dc. or ac.
- * Rated Current: 3~5Pin 4A
6~8Pin 2A
10~12Pin 1.5A
- * Operating Temperature: -40~105°C
- * For Panel Thickness Max 4.5mm.
- * Recommended Nut Torque: 4-6 Kgf.cm.



ITEM NO.	DRAWN BY Yulong_wang	DATE 2016-08-05
DWG NO. M12A-XXPFFS-SH8XXX	CHECKED BY Jinhai	DATE 2016-08-05
CUSTOMER ALTW	APPROVED BY Jerry	DATE 2016-08-05