

POLAM-ELTA Sp. z o.o.

LED DIODES

LED CONTROL LAMPS

www.polamelta.com

e-mail: polamelta@polamelta.com.pl

Jerozolimskie Avenue 202

02-486 Warsaw, POLAND

tel. (+48) 22-837-22-07

fax (+48) 22-207-24-28



COMPLIANCE DECLARATION

NR 7/07/2018

Producer: POLAM-ELTA Sp. z o.o.
Jerozolimskie Avenue 202
02-486 Warsaw

KRS Nr: 0000190790
REGON: 001416903

We declare with a full responsibility that **LED signal lamps BA15D and BA15S** we manufacture:

LB , LG , LO , LR , LY , LW (parameters in accordance with catalogue data) comply requirements imposed by:

- 1. Low Voltage Directive** **LVD 2014/35/UE**
- 2. Directive on the essential requirements for the restriction of the use of certain hazardous substances in electrical and electronic equipment** **ROHS 2011/65/UE**
- 3. The standard norms (relating to the particular parts of a product):**

- PN EN 612 36:2002 Works under voltage – bipolar indexes Nn
- PN-80/E-85050 miniature light bulbs of general use
- PN-EN 983:2000 miniature light bulbs

The year of obtaining CE sign: 07

Warszawa 09-07-2018

.....
Place and date of issue

PREZES ZARZĄDU

Ireneusz Tonder

.....
Name, position and signature of authorized person

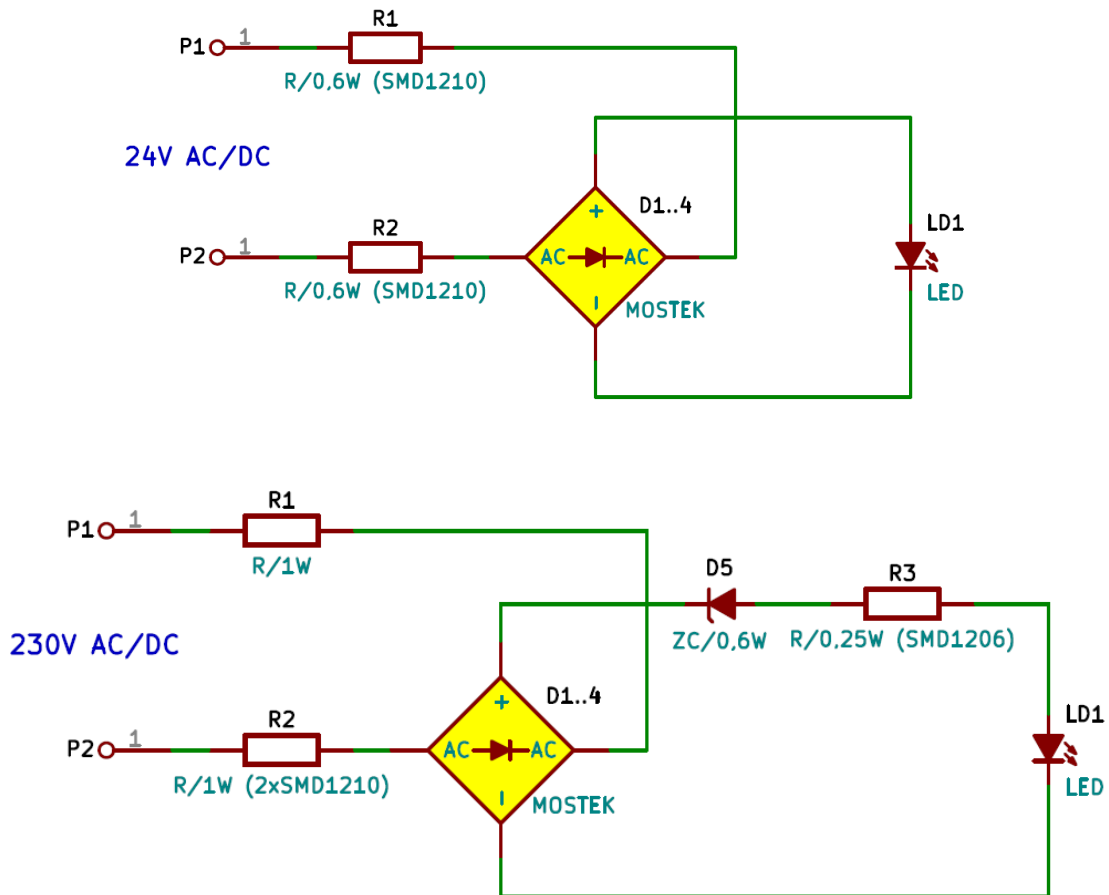
1. Product description :

The declaration is concerned about LED signal lamps produced for a number of voltage ranging 24V-230V – AC (24 V; 30 V; 48V; 60V; 110V-130V; 220V; 230V). The lamps are designed for electric accessories use.

2. Technological documentation:

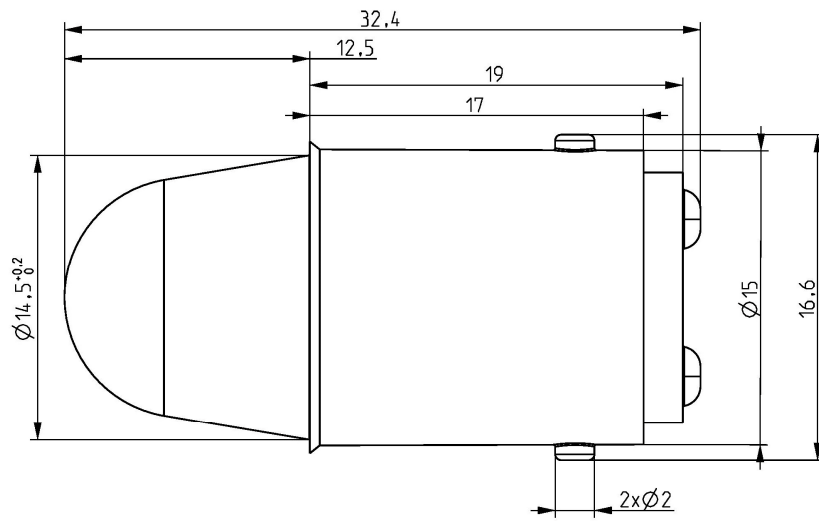
All the signal LED lamps are based on the following circuitry:

Full-wave rectifier

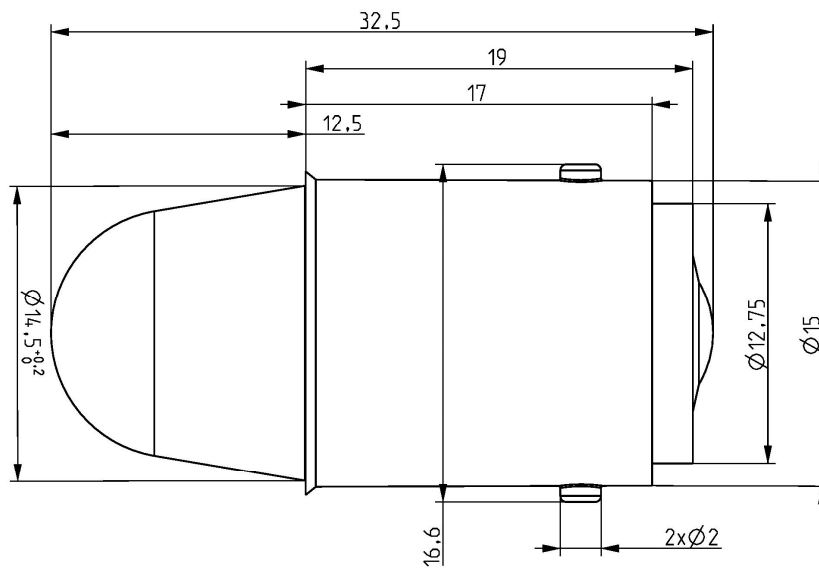


For 230V-AC/DC voltage, power consumption is 1 W and for 24V-AC/DC it is 0,5 W.

- signal lamp BA15D



- signal lamp BA15S



LED controls lamps BA15D i BA15S



Technical parameters of lamps (24V-AC/DC)

color	luminosity (mcd)	wave lenght (nm)	power
red [R] mat	9000-10000	630	0,5 W
green [G] mat	10000-14000	530	0,5 W
yellow [Y] mat	6000-8000	590	0,5 W
orange [O] mat	6000-8000	610	0,5 W
blue [B] mat	3000-4000	470	0,5 W
white	10000-14000	4500 K	0,5 W

Technical parameters of lamps (230V-AC/DC)

color	luminosity (mcd)	wave lenght (nm)	power
red [R] mat	7000-8000	630	1 W
green [G] mat	4000-6000	530	1 W
yellow [Y] mat	2000-3000	590	1 W
orange [O] mat	4000-6000	610	1 W
blue [B] mat	3000-4000	470	1 W
white	3000-4000	4500 K	1 W

Update date : 02-01-2019