

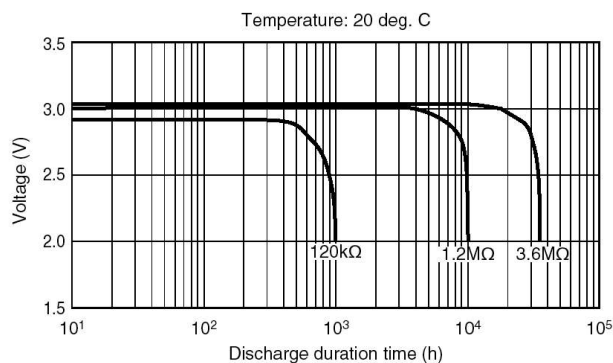
GP Batteries

Data Sheet

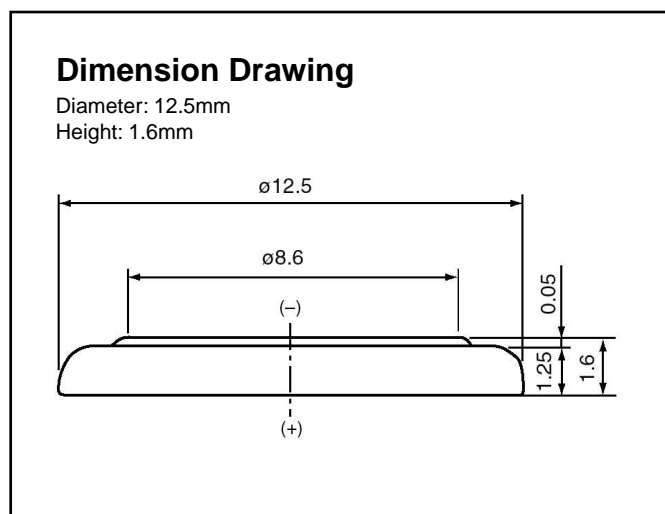
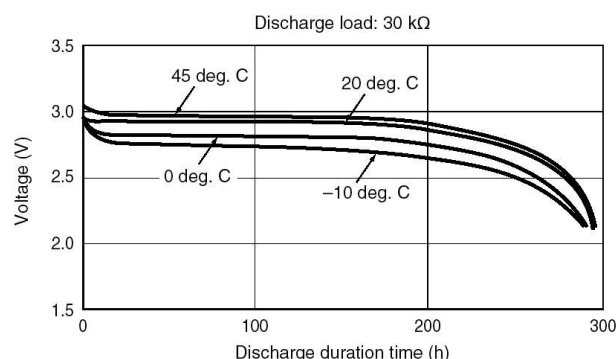
Model No.: CR1216

Description : Flat Lithium Battery
 Chemical system : Lithium Manganese Dioxide
 Nominal voltage : 3 Volts
 Nominal capacity : 25mAh
 Dimensions : $\phi 12.5 \times 1.6$ mm
 Shelf life : 5 years at room temperature
 Average weight : 0.6 grams
 Applications : watch, calculator, camera
 and memory back up.

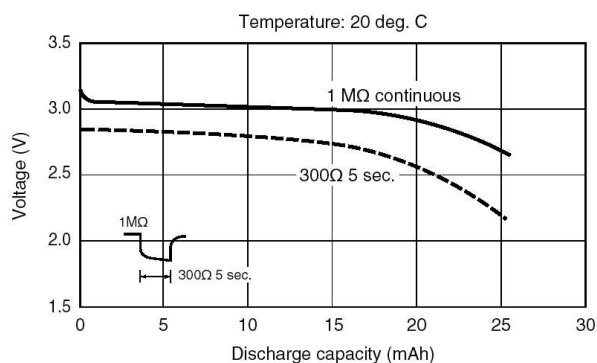
Discharge Characteristics



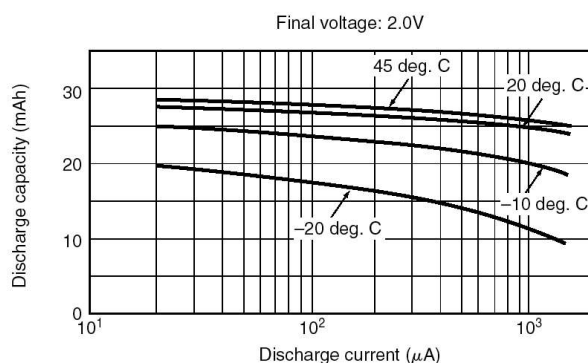
Temperature Characteristics



Pulse Discharge Characteristics



Relationship between Discharge Current and Discharge Capacity



Cross References:

IEC	JIS	Eveready	Varta
CR1216	CR1216	ECR1216	CR1216