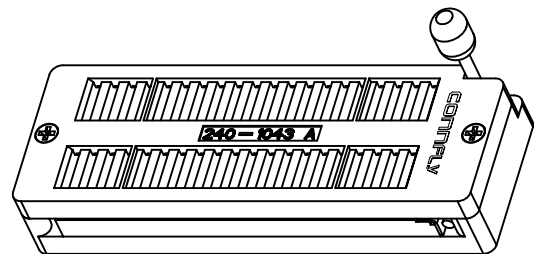
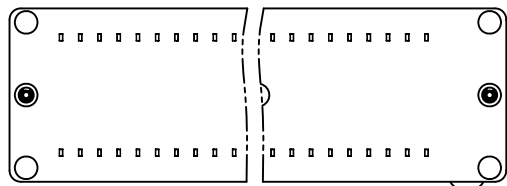
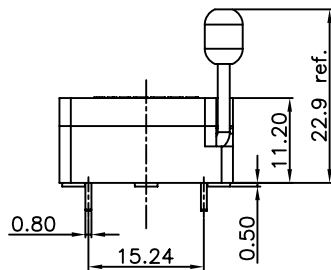
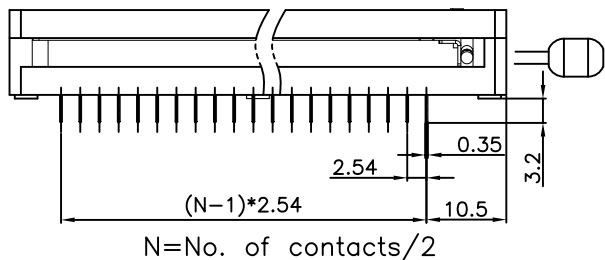


Positions	A	B
24	45.3	40.9
28	50.4	46.0
32	55.5	51.1
40	65.6	61.2
48	75.8	71.4



REV.	DESCRIPTION	DRAWN	CHECKED	APPROVED
A	NEW RELEASE	LJH 05/24/05'		

1. FEATURES

- 1.1. Compact mechanical construction to ensure long term life.
- 1.2. Zero insertion and extraction pressure.
- 1.3. standard 0.100(2.54mm) IC pitch, easy to mount in PC board.
- 1.4. All plastics are UL 94v-0 grade fire retardant.
- 1.5. Gold plated contact to ensure low contact resistance and long operation life.

2. SPECIFICATION

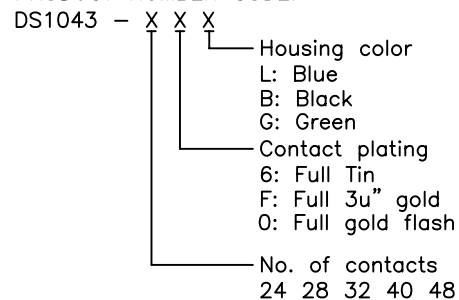
2.1. ELECTRICAL:

- 2.1.1. Rating: 50VDC, 100mA.
- 2.1.2. Contact Resistance: 50mΩ Max.
- 2.1.3. Insulation Resistance: 1000MΩ Min.
- 2.1.4. Dielectric withstanding volatage: 500VDC min. for 60 seconds. Capacitance between adjacent contacts.

2.2. MECHANICAL AND ENVIRONMENTAL

- 2.2.1. Temperature Rating:
- 2.2.2. Operating: -40°C to +105°C
- 2.2.3. Durability: 25,000 cycles (with load)
- 2.2.4. Humidity: 95%RH, 40°C for 48 Hrs.
- 2.2.5. Solderability: After flux 230°C for 5±0.5 Seconds, 95% coverage
- 2.2.6. Soldering Heat: 260±5°C for 5±1 Seconds.

3. PRODUCT NUMBER CODE:



GENERAL TOLERANCE		ANGLE TOLERANCE	
X.	±0.60	X.	±5°
.X	±0.38	.X	±3°
.XX	±0.25	.XX	±2°

DRAWING TYPE	CUSTOMER		
SCALE	1:1	SHEET	1 OF 1
DRAWING NO.	C-DS1043-XXX		

PROJECTION		TITLE	ZIF SOCKET
UNITS	mm	SHEET	A4
SHEET SIZE	A4	SERIES	DS1043 SERIES

晨翔电子有限公司
CONNFLY CONNFLY ELECTRONIC CO. LTD