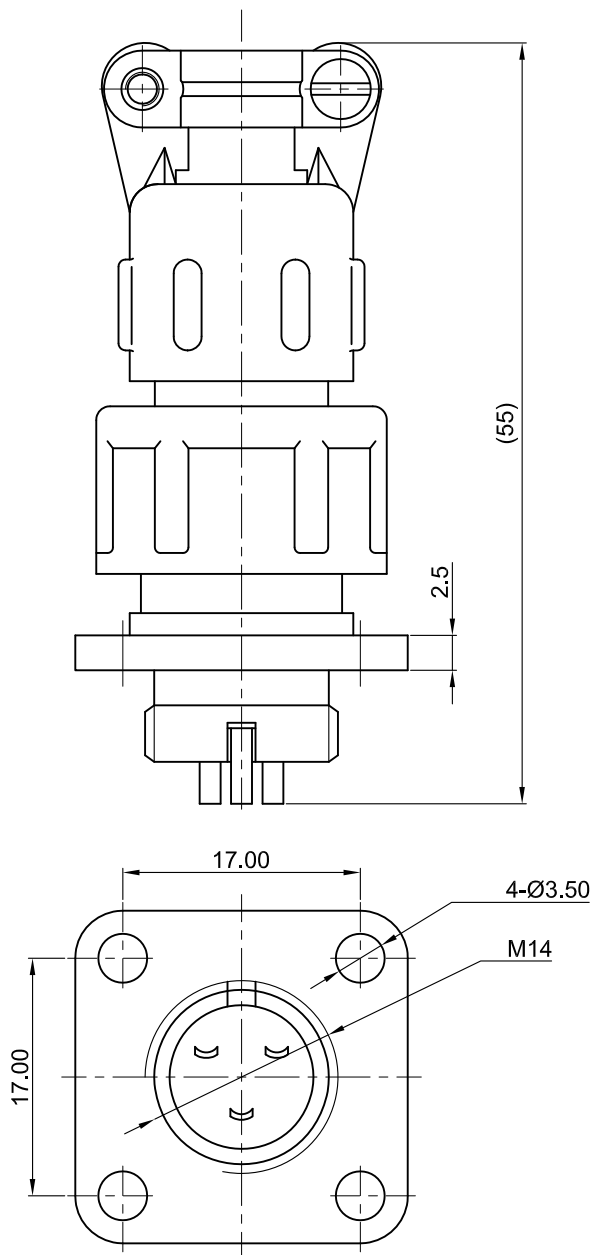
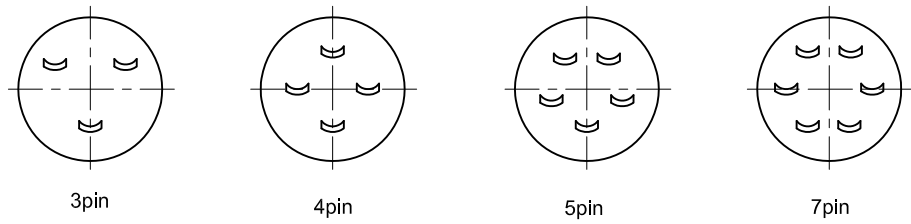


Dept
 Qty
 DC 1
 ED 1
 IE 1
 ISO 1
 PD 1
 R&D 1
 SD 1
 QA 1
 QC 1
 QF 1
 The information provided herein is from CONNPLY Electronic Co., Ltd. and is confidential. Any disclosure to a party other than the recipient is prohibited. The intellectual properties and its rights contained herein, including but not limited to, trademarks, patents, copyrights, trade secrets, and technical know-how, are owned exclusively by CONNPLY or its affiliates. Unauthorized use or modification is strictly prohibited. CONNPLY may enforce its intellectual property rights at its own discretion; failures or delays to exercise such rights does not constitute a waiver of such rights.



GENERAL TOLERANCE		ANGLE TOLERANCE	
X.	±0.60	X.	±5°
.X	±0.38	.X	±3°
.XX	±0.25	.XX	±2°
DRAWING TYPE		CUSTOMER	
SCALE		1:1	SHEET 1 OF 1
DRAWING NO.		C-DS1110-05-XXXX-B	



REV.	DESCRIPTION	DRAWN	CHECKED	APPROVED
A	NEW RELEASE	YCH 08/17/07'		LJC 08/17/07'
B	DRAWING UPDATE	JLZ 04/26/19'		

NOTES:

- SPECIFICATION
 - .CURRENT RATING: 5A Max.
 - .DIELECTRIC WITH STANDING VOLTAGE: 500V(AC)
 - .CONTACT RESISTANCE: 100mΩ Max.
 - .INSULATION RESISTANCE: 1000MΩ(DC)Min.
- PRODUCT NUMBER CODE:

DS1110-05 - X X X X

 - SHELL SURFACE FINISHED
P:SPRAY THE PAINT (GRAY)
 - CONTACT PLATING
Y: SILVER
 - COLOR OF HOUSING:
L: BLUE
 - No. OF CONTACTS
03: 3pin
04: 4pin
05: 5pin
07: 7pin

PROJECTION		TITLE	MICRO JACK CONNECTOR
UNITS	mm	SERIES	DS1110-05 SERIES

晨翔电子有限公司
CONNPLY CONNPLY ELECTRONIC CO. LTD