



SANYO Semiconductors

# DATA SHEET

## STK433-290-E — Thick-Film Hybrid IC 3-channel class AB audio power IC, 80W+80W+80W

### Overview

The STK433-290-E is a hybrid IC designed to be used in 80W × 3ch class AB audio power amplifiers.

### Applications

- Audio power amplifiers.

### Features

- Pin-to-pin compatible outputs ranging from 80W to 150W.
- Can be used to replace the STK433-000/-100 series (30W to 150W × 2ch) and STK433-200(A) series (30W to 60W × 3ch) due to its pin compatibility.
- Miniature package (64.0mm × 36.6mm × 9.0mm)
- Output load impedance:  $R_L = 6\Omega$  to  $4\Omega$  supported
- Allowable load shorted time: 0.3 second
- Allows the use of predesigned applications for standby and mute circuits.

### Series Models

	STK433-290-E	STK433-300-E	STK433-320-E	STK433-330-E
Output 1 (10%/1kHz)	80W×3ch	100W×3ch	120W×3ch	150W×3ch
Output 2 (0.4%/20Hz to 20kHz)	50W×3ch	60W×3ch	80W×3ch	100W×3ch
Maximum rating $V_{CC}$ max (no sig.)	±54V	±57V	±65V	±71.5V
Maximum rating $V_{CC}$ max (6Ω)	±47V	±50V	±57V	±63V
Recommended operating $V_{CC}$ (6Ω)	±33V	±36V	±41V	±44V
Dimensions (excluding pin height)	64.0mm×36.6mm×9.0mm			

■ Any and all SANYO Semiconductor Co.,Ltd. products described or contained herein are, with regard to "standard application", intended for the use as general electronics equipment (home appliances, AV equipment, communication device, office equipment, industrial equipment etc.). The products mentioned herein shall not be intended for use for any "special application" (medical equipment whose purpose is to sustain life, aerospace instrument, nuclear control device, burning appliances, transportation machine, traffic signal system, safety equipment etc.) that shall require extremely high level of reliability and can directly threaten human lives in case of failure or malfunction of the product or may cause harm to human bodies, nor shall they grant any guarantee thereof. If you should intend to use our products for applications outside the standard applications of our customer who is considering such use and/or outside the scope of our intended standard applications, please consult with us prior to the intended use. If there is no consultation or inquiry before the intended use, our customer shall be solely responsible for the use.

■ Specifications of any and all SANYO Semiconductor Co.,Ltd. products described or contained herein stipulate the performance, characteristics, and functions of the described products in the independent state, and are not guarantees of the performance, characteristics, and functions of the described products as mounted in the customer's products or equipment. To verify symptoms and states that cannot be evaluated in an independent device, the customer should always evaluate and test devices mounted in the customer's products or equipment.

SANYO Semiconductor Co., Ltd.

www.semiconductor-sanyo.com/network

Specifications

Absolute maximum ratings at Ta=25°C, Unless otherwise specified Tc=25°C

Parameter	Symbol	Conditions	Ratings	Unit
Maximum power supply voltage	V <sub>CC</sub> max (0)	Non signal	±54	V
Maximum power supply voltage	V <sub>CC</sub> max (1)	R <sub>L</sub> ≥6Ω	±47	V
Minimum operating supply voltage	V <sub>CC</sub> min		±10	V
#13 Operating voltage	VST OFF max		-0.3 to +5.5	V
Thermal resistance	θj-c	Per one power transistor	2.1	°C/W
Junction temperature	Tj max	Should satisfy Tj max and Tc max	150	°C
Operating substrate temperature	Tc max		125	°C
Storage temperature	Tstg		-30 to +125	°C
Allowable time for load short-circuit	ts	V <sub>CC</sub> =±33V, R <sub>L</sub> =6Ω, f=50Hz, P <sub>O</sub> =50W, 1-channel active	0.3	s

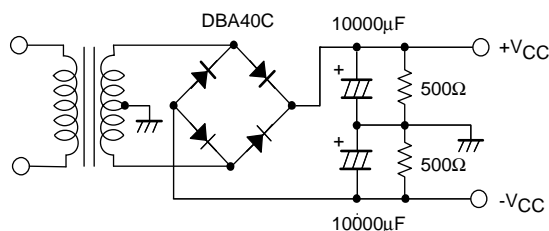
Operating Characteristics at Unless otherwise specified Tc=25°C, R<sub>L</sub>=6Ω (Non-inductive Load), Rg=600Ω, VG=30dB

Parameter	Symbol	Conditions *2				Ratings			unit	
		V <sub>CC</sub> (V)	f (Hz)	P <sub>O</sub> (W)	THD (%)	min	typ	max		
Output power *1	P <sub>O</sub> (1)	±33	20 to 20k		0.4	47	50		W	
	P <sub>O</sub> (2)	±33	1k		10		80			
Total harmonic distortion *1	THD (1)	±33	20 to 20k	5.0				0.4	%	
	THD (2)	±33	1k							VG=30dB
Frequency characteristics *1	f <sub>L</sub> , f <sub>H</sub>	±33		1.0		+0 -3dB	20 to 50k		Hz	
Input impedance	r <sub>i</sub>	±33	1k	1.0			55		kΩ	
Output noise voltage *3	V <sub>NO</sub>	±39				Rg=2.2kΩ		1.0	mVrms	
Quiescent current	I <sub>CCO</sub>	±39				No loading	30	70	120	mA
Output neutral voltage	V <sub>N</sub>	±39					-70	0	+70	mV
#13 Stand-by ON threshold *5	VST ON	±33				Stand-by		0	0.6	V
#13 Stand-by OFF threshold *5	VST OFF	±33				Operation	2.5	3.0		V

[Remarks]

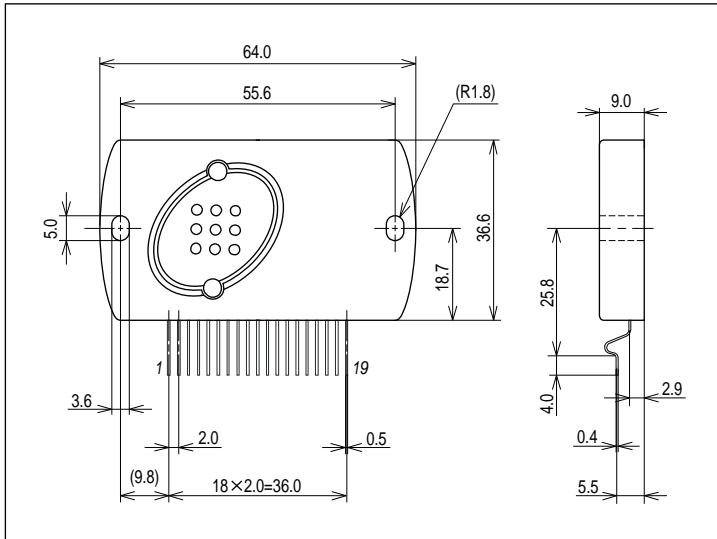
- \*1: For 1-channel operation
- \*2: Unless otherwise specified, use a constant-voltage power supply to supply power when inspections are carried out.
- \*3: The output noise voltage values shown are peak values read with a VTVM. However, an AC stabilized (50Hz) power supply should be used to minimize the influence of AC primary side flicker noise on the reading.
- \*4: Use the transformer power supply circuit shown in the figure below for allowable load shorted time and output noise voltage measurement.
- \*5: The impression voltage of ‘#13 (Stand-By) pin’ must not exceed the maximum rating. Power amplifier operate by impressing voltage +2.5 to +5.5V to ‘#13 (Stand-By) pin’.
- \*6: Please connect -PreV<sub>CC</sub> pin (#1 pin)with the stable minimum voltage, and connect so that current does not flow in by reverse bias.
- \*7: Thermal design must be implemented based on the conditions under which the customer’s end products are expected to operate on the market.
- \*8: The case of this Hybrid-IC is using thermosetting silicon adhesive (TSE322SX).
- \*9: Weight of HIC: 24.8g  
Outer carton dimensions (W×L×H): 452mm×325mm×192mm

Designated transformer power supply (MG-200 equivalent)



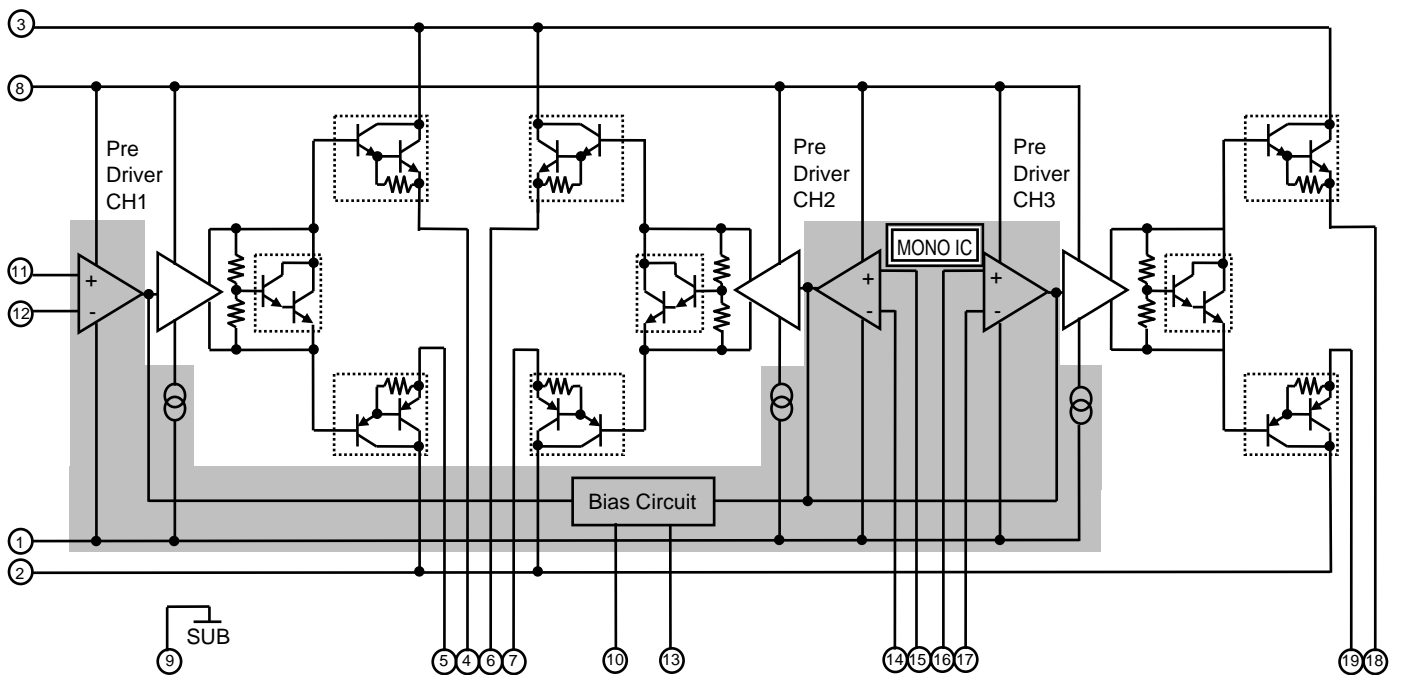
Package Dimensions

unit:mm (typ)



RoHS DIRECTIVE PASS

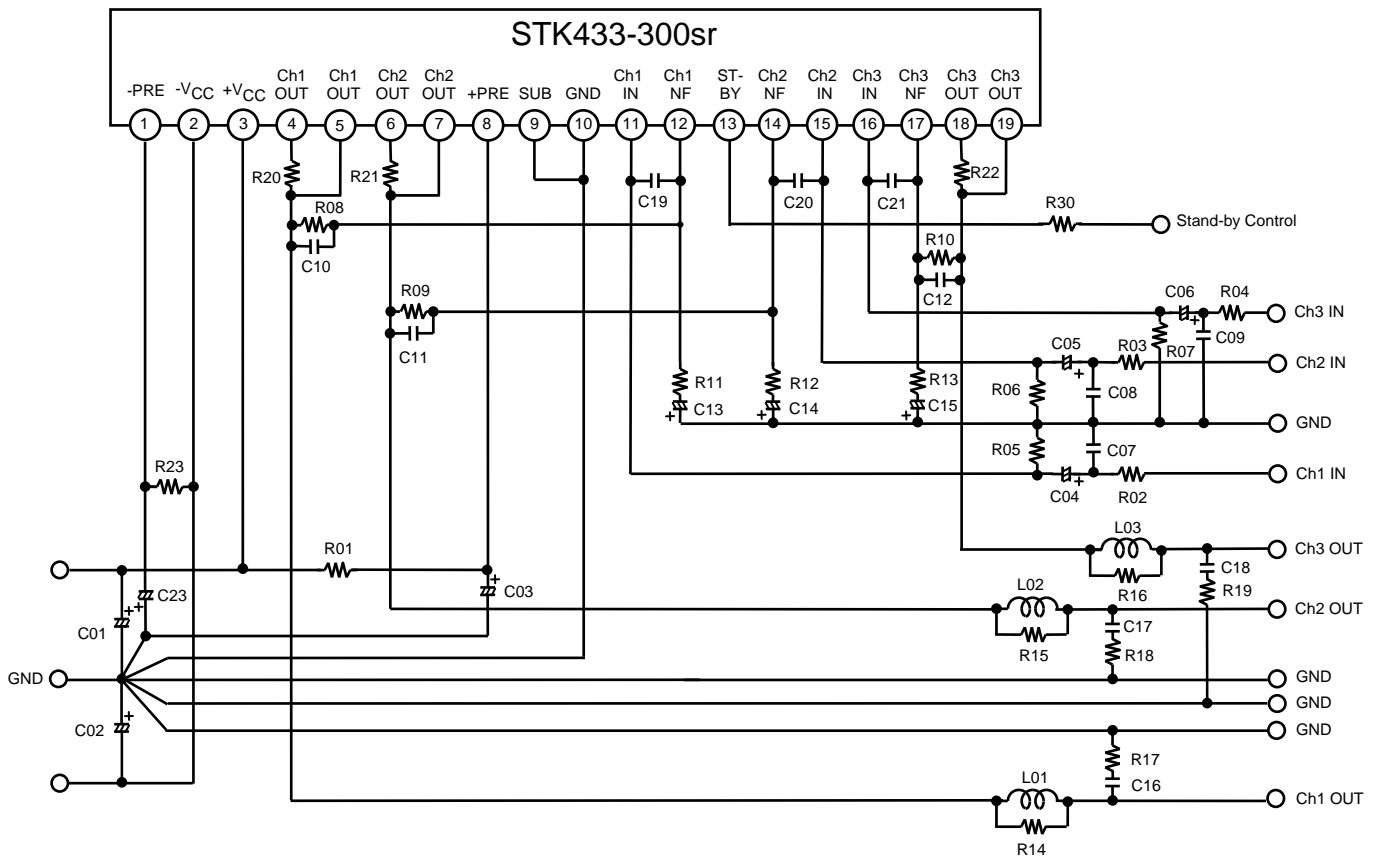
Equivalent Circuit



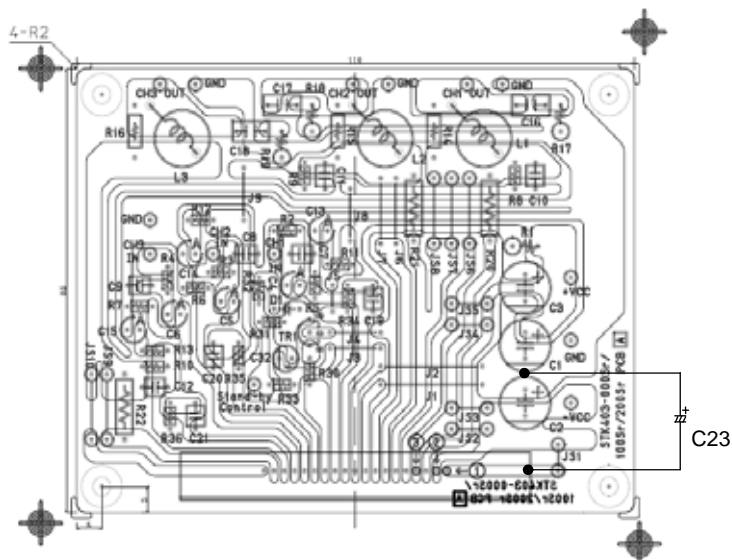
# STK433-290-E

## Application Circuit

www.DataSheet4U.com



## PCB Layout Example



## Recommended External Components

Parts Location	Recommended value	Circuit purpose	Above Recommended value	Below Recommended value
R01, R23	100Ω/1W	Resistance for ripple filter. (Fuse resistance is recommended. Ripple filter is constituted with C03, C23.)	-	Short-through current may increase at high frequency.
R02, R03, R04	1kΩ	Resistance for input filters.	-	-
R05, R06, R07	56kΩ	Input impedance is determined.	Output neutral voltage (VN) shift. (It is referred that R05=R08, R06=R09, R07=R10)	
R08, R09, R10	56kΩ	Voltage gain (VG) is determined with R11, R12, R13	-	-
R11, R12, R13	1.8kΩ	Voltage gain (VG) is determined with R8, R9, R10. (As for VG, it is desirable to set up by R11, R12, R13.)	It may oscillate. (VG<30dB)	With especially no problem
R14, R15, R16	4.7Ω	Noise absorption resistance.	-	-
R17, R18, R19	4.7Ω/1W	Resistance for oscillation prevention.	-	-
R20, R21, R22	0.22Ω ±10%, 5W	Output emitter resistor (Metal-plate resistor is recommended.)	Decrease of maximum output Power	It may cause thermal runaway
R30	Note*5	Select restriction resistance, for the impression voltage of '#17 (Stand-By) pin' must not exceed the maximum rating.		
C01, C02	100μF/100V	Capacitor for oscillation prevention. <ul style="list-style-type: none"> <li>• Locate near the HIC as much as possible.</li> <li>• Power supply impedance is lowered and stable operation of the IC is carried out. (Electrolytic capacitor is recommended.)</li> </ul>	-	-
C03, C23	100μF/100V	Decoupling capacitor <ul style="list-style-type: none"> <li>• The ripple ingredient mixed in an input side is removed from a power supply line. (Ripple filter is constituted with R03, R04.)</li> </ul>	The change in the ripple ingredient mixed in an input side from a power supply line	
C04, C05, C06	2.2μF/50V	Input coupling capacitor. (for DC current prevention.)	-	-
C07, C08, C09	470pF	Input filter capacitor <ul style="list-style-type: none"> <li>• A high frequency noise is reduced with the filter constituted by R02, R03, R04.</li> </ul>	-	-
C10, C11, C12	3pF	Capacitor for oscillation prevention.	It may oscillate.	
C13, C14, C15	10μF/10V	Negative feedback capacitor. <ul style="list-style-type: none"> <li>• The cutoff frequency of a low cycle changes. (<math>f_L=1/(2\pi \cdot C13 \cdot R11)</math>)</li> </ul>	The voltage gain (VG) of low frequency is extended. However, the pop noise at the time of a power supply injection also becomes large.	The voltage gain (VG) of low frequency decreases.
C16, C17, C18	0.1μF	Capacitor for oscillation prevention.	It may oscillate.	
C19, C20, C21	68pF	Capacitor for oscillation prevention.	It may oscillate.	
L01, L02, L03	3μH	Coil for oscillation prevention.	With especially no problem	It may oscillate.

# STK433-290-E

## STK433-100/-300sr PCB PARTS LIST

www.DataSheet4U.com

PCB Name: STK403-000Sr/100Sr/200Sr PCBA

Location No. (*2) 2ch Amp doesn't mount parts of ( ).		PARTS	RATING	Component	
Hybrid IC#1 Pin Position		-	-	①	
				STK433-100Sr (*2)	STK433-300Sr
R01		ERG1SJ101	100Ω, 1W	enabled	
R02, R03, (R04)		RN16S102FK	1kΩ, 1/6W	enabled	
R05, R06, (R07), R08, R09, (R10)		RN16S563FK	56kΩ, 1/6W	enabled	
R11, R12, (R13)		RN16S182FK	1.8kΩ, 1/6W	enabled	
R14, R15, (R16)		RN14S4R7FK	4.7Ω, 1/4W	enabled	
R17, R18, (R19)		ERX1SJ4R7	4.7Ω, 1W	enabled	
R20, R21, (R22)		Metal-plate resistor is recommended	0.22Ω, 5W	enabled	
C01, C02, C03, C23 (*3)		100MV100HC	100μF, 100V	enabled	
C04, C05, (C06)		50MV2R2HC	2.2μF, 50V	enabled (*1)	
C07, C08, (C09)		DD104-63B471K50	470pF, 50V	enabled	
C10, C11, (C12)		DD104-63CJ030C50	3pF, 50V	enabled	
C13, C14, (C15)		10MV10HC	10μF, 10V	enabled (*1)	
C16, C17, (C18)		ECQ-V1H104JZ	0.1μF, 50V	enabled	
C19, C20, (C21)		DD104-63B***K50	***pF, 50V	100pF	68pF
R34, R35, (R36)		RN16S302FK	3kΩ, 1/6W	Short	
L01, L02, (L03)		-	3μH	enabled	
Stand-By Control Circuit	Tr1	2SC3332 (Reference)	$V_{CE} \geq 75V, I_C \geq 1mA$	enabled	
	D1	GMB01(Reference)	Di	enabled	
	R30 (*4)	RN16S***FK	***kΩ, 1/6W	13kΩ	2.7kΩ
	R31	RN16S333FK	33kΩ, 1/6W	enabled	
	R32	RN16S102FK	1kΩ, 1/6W	enabled	
	R33	RN16S202FK	2kΩ, 1/6W	enabled	
	C32	10MV33HC	33μF, 10V	enabled	
J1, J2, J3, J4, J5, J6, J8, J9		-	-	enabled	
J7, JS2, JS3, JS4, JS5, JS7, JS8, JS9		-	-	-	
JS6, JS10		-	-	enabled	
JS1		ERG1SJ101	100Ω, 1W	enabled	

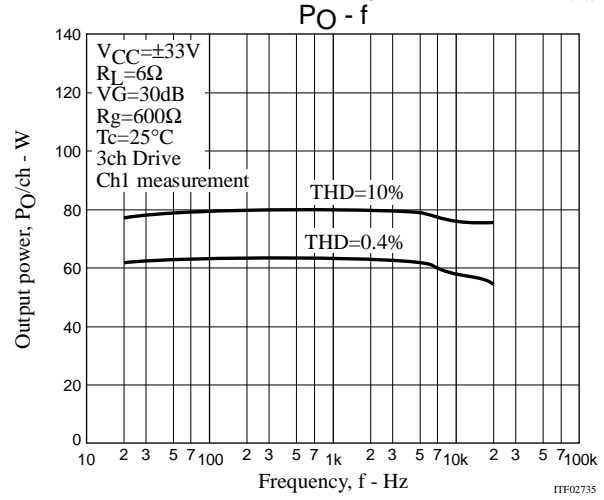
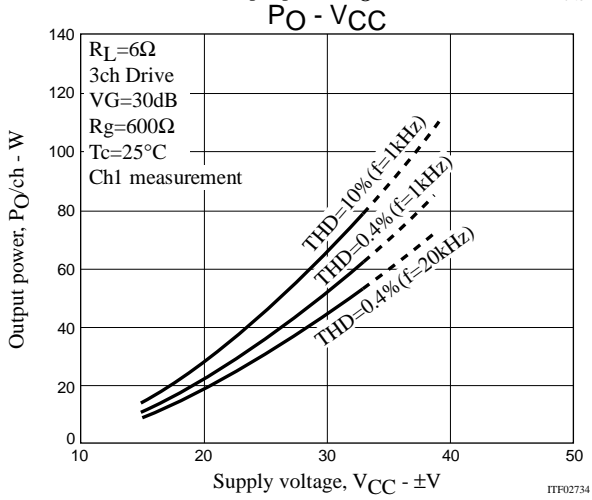
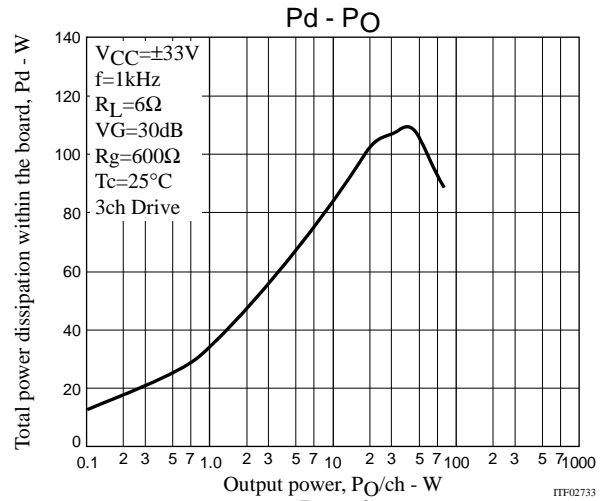
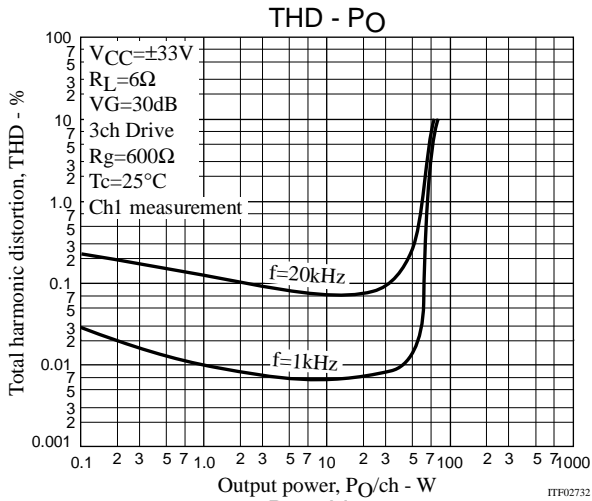
(\*1) Capacitor mark "A" side is "-" (negative).

(\*2) STK433-100Sr (2ch AMP) doesn't mount parts of ( ).

(\*3) Add parts C23 to the other side of PCB.

(\*4) Recommended standby circuit is used.





[Thermal Design Example for STK433-290-E (R<sub>L</sub> = 6Ω)]

The thermal resistance, θ<sub>c-a</sub>, of the heat sink for total power dissipation, Pd, within the hybrid IC is determined as follows.

Condition 1: The hybrid IC substrate temperature, T<sub>c</sub>, must not exceed 125°C.

$$P_d \times \theta_{c-a} + T_a < 125^\circ\text{C} \dots\dots\dots (1)$$

T<sub>a</sub>: Guaranteed ambient temperature for the end product

Condition 2: The junction temperature, T<sub>j</sub>, of each power transistor must not exceed 150°C.

$$P_d \times \theta_{c-a} + P_d/N \times \theta_{j-c} + T_a < 150^\circ\text{C} \dots\dots\dots (2)$$

N: Number of power transistors

θ<sub>j-c</sub>: Thermal resistance per power transistor

However, the power dissipation, Pd, for the power transistors shall be allocated equally among the number of power transistors.

The following inequalities result from solving equations (1) and (2) for θ<sub>c-a</sub>.

$$\theta_{c-a} < (125 - T_a)/P_d \dots\dots\dots (1)'$$

$$\theta_{c-a} < (150 - T_a)/P_d - \theta_{j-c}/N \dots\dots\dots (2)'$$

Values that satisfy these two inequalities at the same time represent the required heat sink thermal resistance.

When the following specifications have been stipulated, the required heat sink thermal resistance can be determined from formulas (1)' and (2)'.

- Supply voltage VCC
- Load resistance R<sub>L</sub>
- Guaranteed ambient temperature T<sub>a</sub>



# STK433-290-E

[Example]

When the IC supply voltage,  $V_{CC}$ , is  $\pm 33V$  and  $R_L$  is  $6\Omega$ , the total power dissipation,  $P_d$ , within the hybrid IC, will be a maximum of  $109.7W$  at  $1kHz$  for a continuous sine wave signal according to the  $P_d-P_O$  characteristics. For the music signals normally handled by audio amplifiers, a value of  $1/8P_O$  max is generally used for  $P_d$  as an estimate of the power dissipation based on the type of continuous signal. (Note that the factor used may differ depending on the safety standard used.)

This is:

$$P_d \approx 85.0W \quad (\text{when } 1/8P_O \text{ max.} = 10W, P_O \text{ max.} = 80W).$$

The number of power transistors in audio amplifier block of these hybrid ICs,  $N$ , is 6, and the thermal resistance per transistor,  $\theta_{j-c}$ , is  $2.1^\circ C/W$ . Therefore, the required heat sink thermal resistance for a guaranteed ambient temperature,  $T_a$ , of  $50^\circ C$  will be as follows.

$$\begin{aligned} \text{From formula (1)'} \quad \theta_{c-a} &< (125 - 50)/85.0 \\ &< 0.88 \end{aligned}$$

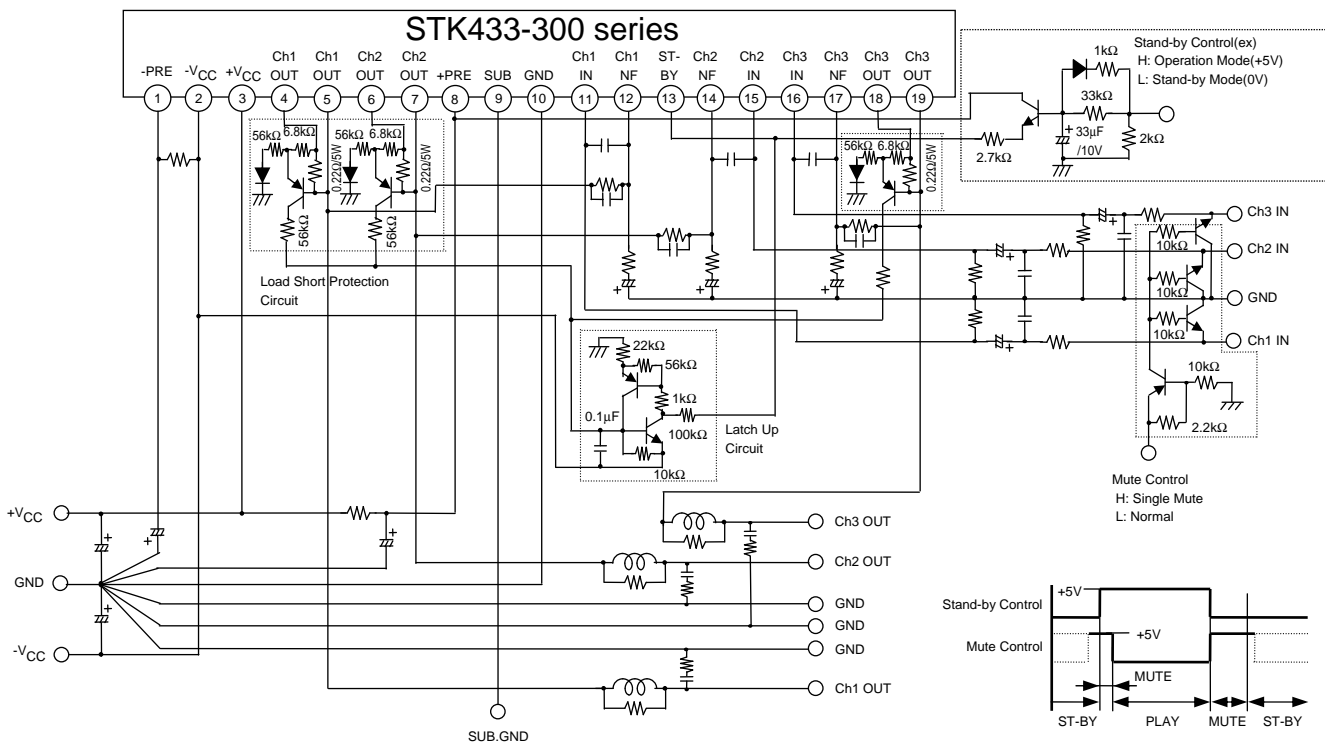
$$\begin{aligned} \text{From formula (2)'} \quad \theta_{c-a} &< (150 - 50)/85.0 - 2.1/6 \\ &< 0.82 \end{aligned}$$

Therefore, the value of  $0.82^\circ C/W$ , which satisfies both of these formulae, is the required thermal resistance of the heat sink.

Note that this thermal design example assumes the use of a constant-voltage power supply, and is therefore not a verified design for any particular user's end product.

## STK433-300series Stand-by Control & Mute Control & Load-Short Protection Application

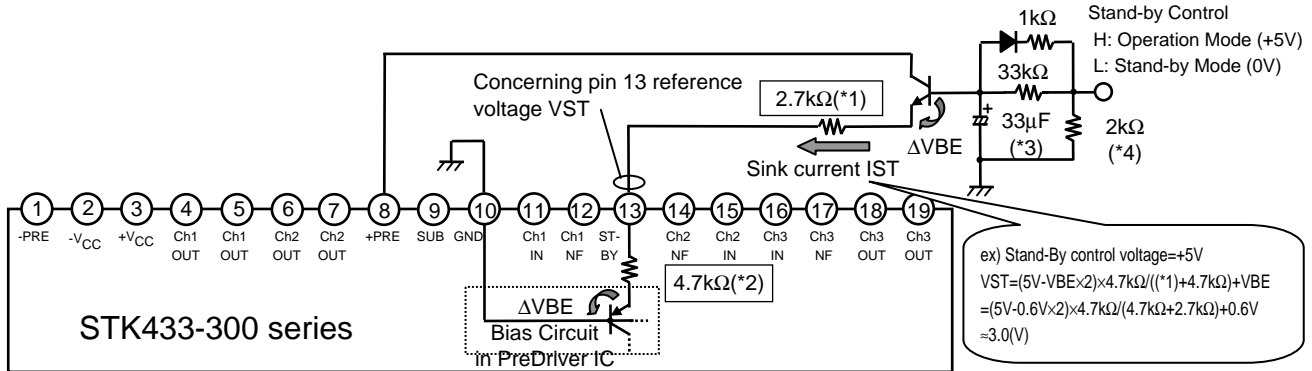
(\*1) The impression voltage of a Stand-by terminal (#13) is the maximum rating (VST max). Please set up not to exceed.



**Characteristic**

- It can largely improve a pop noise to occur in power supply ON/OFF by using recommended Stand-By Control Application.
- Because It can perform Stand-By Control by regulating limit resistance to the voltage such as used microcomputers, a set design is easy.

(ex) STK433-300series test circuit. When impressed by Stand-by control control [+5V].



**Operation Explanation**

(1) Concerning pin 13 reference voltage VST

<1> Operation mode

The SW transistor of bias circuit is turned on at  $V_{ST} \geq 2.5V$ , and the amplifier becomes operation mode.

ex)  $V_{ST} = 2.5V$

$$V_{ST} = (*2) \times I_{ST} + 0.6V \rightarrow 2.5V = 4.7k\Omega \times I_{ST} + 0.6V, I_{ST} \approx 0.40mA$$

<2> Standby mode

The SW transistor of Pre-driver IC is turned off at  $V_{ST} \leq 0.6V$  (typ0V), and the amplifier becomes Stand-By Mode.

ex)  $V_{ST} = 0.6V$

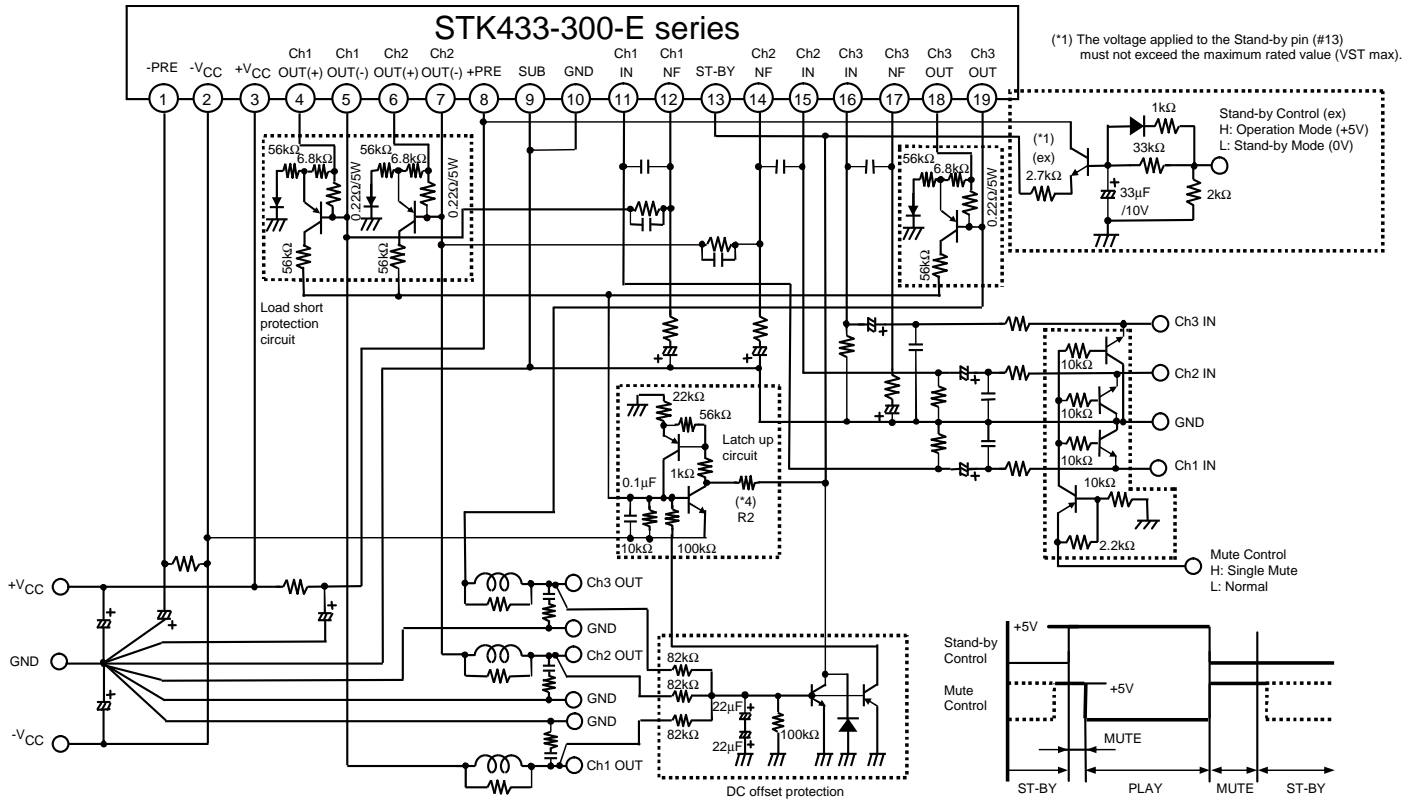
$$V_{ST} = (*2) \times I_{ST} + 0.6V \rightarrow 0.6V = 4.7k\Omega \times I_{ST} + 0.6V, I_{ST} \approx 0mA$$

(\*3) It can improve a pop noise at power up time by giving a time constant of the condenser during operation.

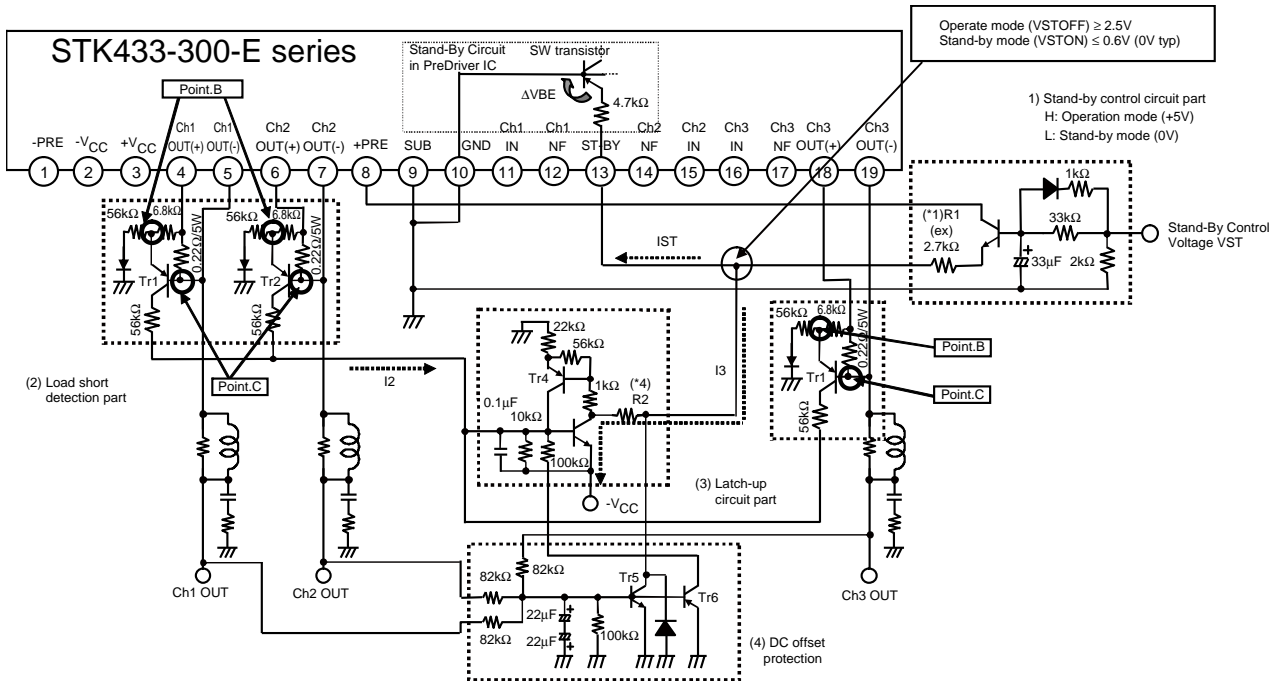
(\*4) Please decide a time constant to discharge the condenser during standby.

# STK433-290-E

## STK433-300-E series Stand-by control, Mute control, Load-short protection & DC offset protection application



### STK433-300-E Application Explanation



The protection circuit application for the STK433-300-Esr consists of the following blocks (blocks (1) to (4)).

- (1) Standby control circuit block
- (2) Load short-circuit detection block
- (3) Latch-up circuit block
- (4) DC voltage protection block



- SANYO Semiconductor Co.,Ltd. assumes no responsibility for equipment failures that result from using products at values that exceed, even momentarily, rated values (such as maximum ratings, operating condition ranges, or other parameters) listed in products specifications of any and all SANYO Semiconductor Co.,Ltd. products described or contained herein.
- SANYO Semiconductor Co.,Ltd. strives to supply high-quality high-reliability products, however, any and all semiconductor products fail or malfunction with some probability. It is possible that these probabilistic failures or malfunction could give rise to accidents or events that could endanger human lives, trouble that could give rise to smoke or fire, or accidents that could cause damage to other property. When designing equipment, adopt safety measures so that these kinds of accidents or events cannot occur. Such measures include but are not limited to protective circuits and error prevention circuits for safe design, redundant design, and structural design.
- In the event that any or all SANYO Semiconductor Co.,Ltd. products described or contained herein are controlled under any of applicable local export control laws and regulations, such products may require the export license from the authorities concerned in accordance with the above law.
- No part of this publication may be reproduced or transmitted in any form or by any means, electronic or mechanical, including photocopying and recording, or any information storage or retrieval system, or otherwise, without the prior written consent of SANYO Semiconductor Co.,Ltd.
- Any and all information described or contained herein are subject to change without notice due to product/technology improvement, etc. When designing equipment, refer to the "Delivery Specification" for the SANYO Semiconductor Co.,Ltd. product that you intend to use.
- Information (including circuit diagrams and circuit parameters) herein is for example only; it is not guaranteed for volume production.
- Upon using the technical information or products described herein, neither warranty nor license shall be granted with regard to intellectual property rights or any other rights of SANYO Semiconductor Co.,Ltd. or any third party. SANYO Semiconductor Co.,Ltd. shall not be liable for any claim or suits with regard to a third party's intellectual property rights which has resulted from the use of the technical information and products mentioned above.

This catalog provides information as of February, 2010. Specifications and information herein are subject to change without notice.