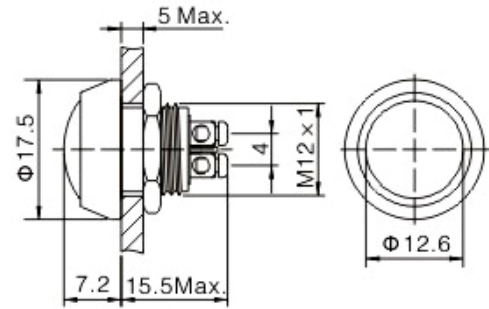


- ⊙ Φ 12mm Diameter
- ⊙ Switch Rating: 2A/36VDC
- ⊙ Contact Configuration: 1NO
- ⊙ Operation Type: Momentary
- ⊙ The Crust material: Stainless steel
- ⊙ IP Degree: IP65(IP67 can be made to order) ,IK08



GQ12B-10/S		Material	But ton	PBT/Stainless Steel
			Terminal Type	Screw Terminal
Screw Terminal	x(double-break slow-motion contact)		Operation Travel	About 2.5mm
Panel Thickness	1 ~ 5mm			
Panel Thickness	0.3Nm			
Mechanical Life	1,000,000 cycles			
Electrical Life	200,000 cycles	RoHS	Made to order	