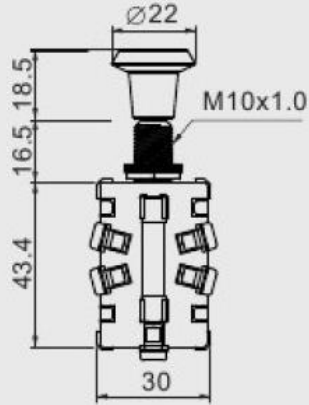


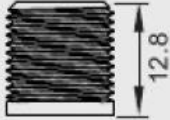
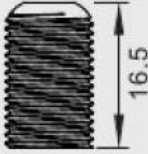
A3-20



30A 12V DC



FUNCTION
A 4P With Fuse Protection
B 4P W/O Fuse Protection
C 5P With Fuse Protection
D 5P W/O Fuse Protection
E 3P With Fuse Protection
F 3P W/O Fuse Protection

BUSHING
A M12*1.0  12.8 6 mm max
Ø 12.2
B M10*1.0  16.5 10 mm max
Ø 10.1

BUTTON
1  Ø 25.5 19.9
2  Ø 22 18.0
TERMINAL
0 1  .250" SQ
0 5  S0
0 7  SC M4