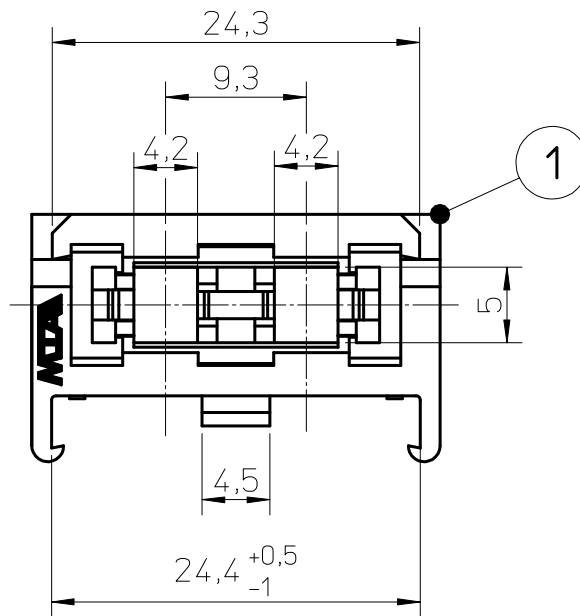
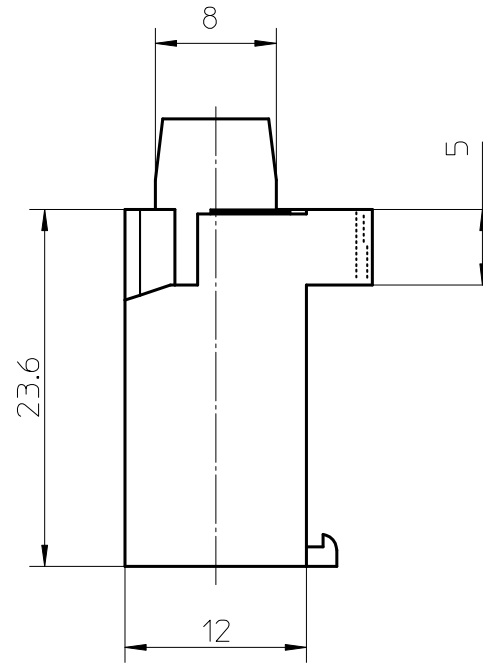
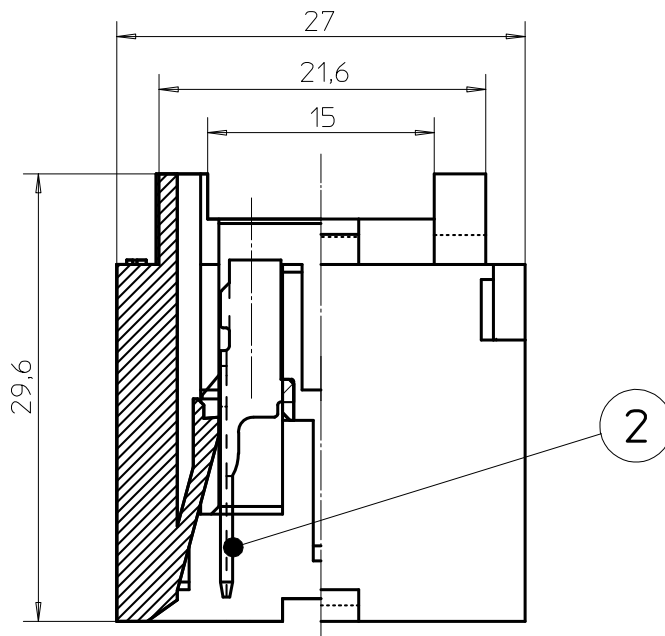


All proprietary rights reserved by MTA S.p.A. - This drawing shall not be reproduced, or in any way utilized, for the manufacture of the component or unit herein illustrated and must not be released to other parties, without written consent. Any infringement will be legally pursued.



3			
2			
1	MODIFY ENGAGEMENT TOOTH FOR MOOD REVISION	27.01.2010	A.VISIGALLI
REV	DESCRIPTION	DATE	NAME

UNCONTROLLED COPY
 in case of drawing updating/revision
 NO AUTOMATIC
 resubmission will follow

OPERATING FEATURES		
FEATURE	UNIT	VALUE
V max	V	32
T. min - T. max	°C	-40 / +100
IP	IEC 529	20
I Continuous	A	20

2	2	TERMINAL	CuSn - Tin Plated
1	1	BODY	PA 66 - BLACK COLOR
Pos.	Q.ty	DENOMINATION	MATERIAL
		MTA P/N 0300351/10	Denom. FUSEHOLDER UNIVAL W/TERMINAL
		Draw No. B0-100.C09A	Used for
Rel. Level	APPROVED	Draw for CLIENT	Relevant Standard
	Date Name	Scale Weight(g) Lin.Tol.± Ang.Tol.±	Material SEE TABLE
Draft	15/11/2004 S.BEDUSCHI	2:1	0.5 1
Chk	31/01/2012 E.UGGERI		
PQApp	31/01/12 M.ROSSI	Dimensions in (mm)	Coating SEE TABLE
App.	31/01/12 M.CORBANI		Sheet 1/1

2	TOLERANCE ADDED ON DIMENSION 24.4mm		
No.	Reason for Revision	Date	Name
		31/01/2012	E.UGGERI