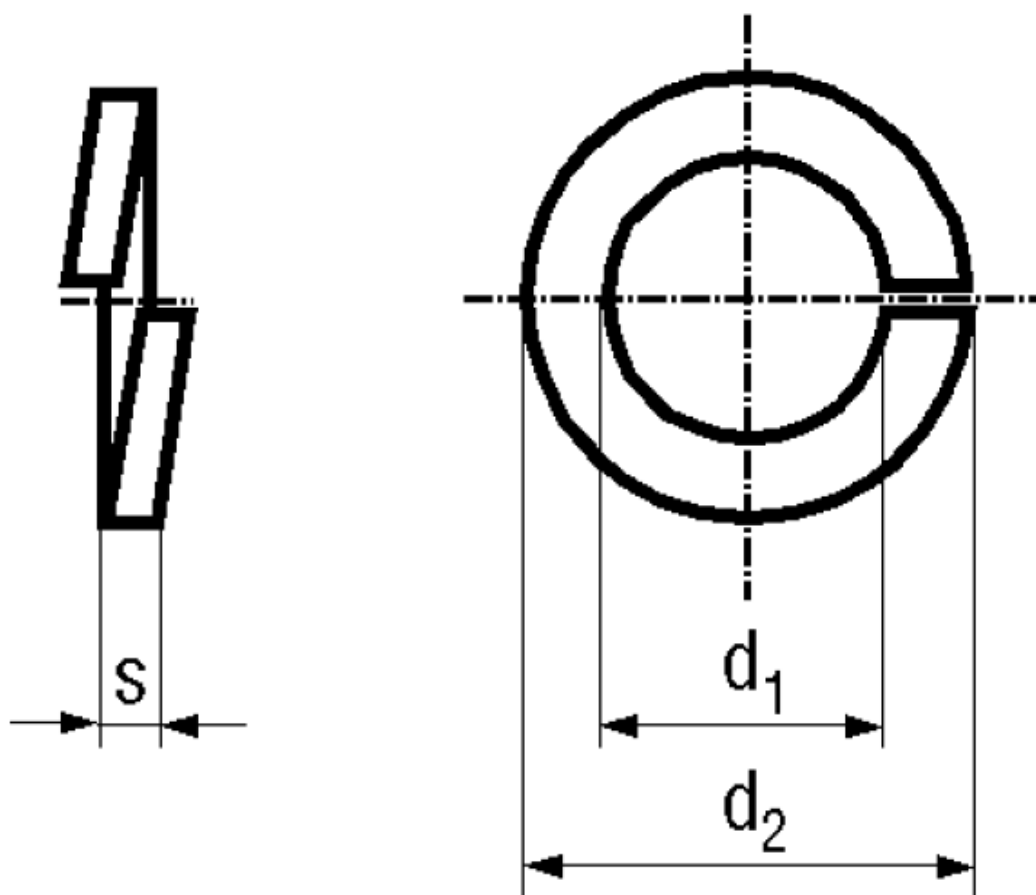


## BN 672 - DIN 127 B

Helical spring lock washers with flat end

DIN 127 B  
~UNI 1751 B



Material	Stainless steel	Quality	A2 / 1.4310
----------	-----------------	---------	-------------

Article No. - 1253522	
for thread	M2
$d_1$ min.	2,1
$d_1$ max.	2,4
$d_2$ max.	4,4
s	0,5

DIN 127: Standard withdrawn.

Material: A2 / 1.4310 at manufacturer's option.

We recommend DIN 128 A (curved spring lock washers) for new constructions: BN 674 / BN 8856.