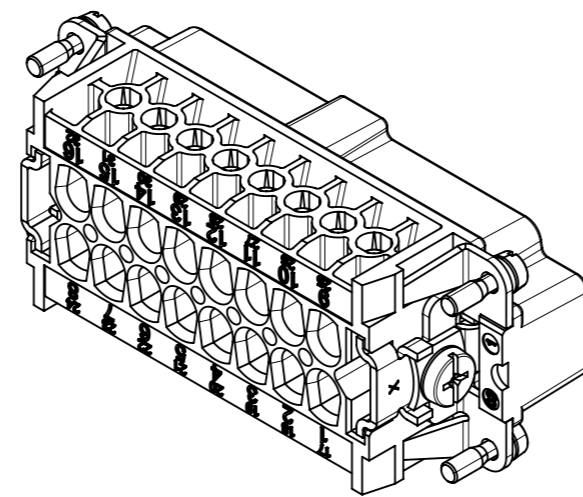
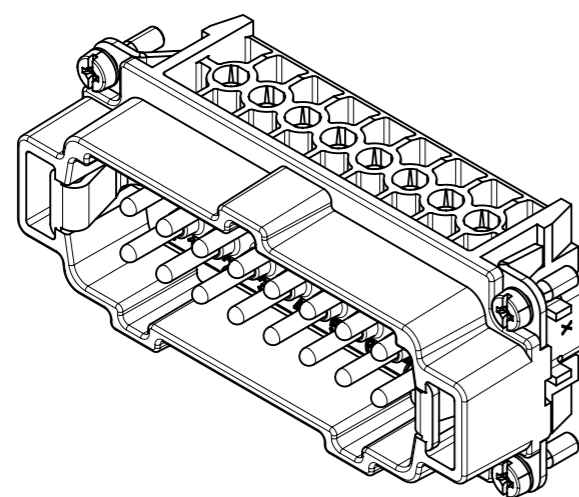
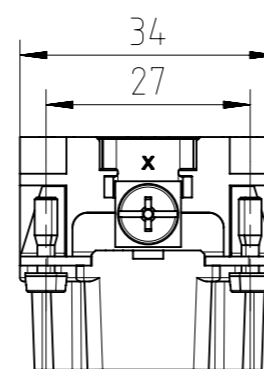
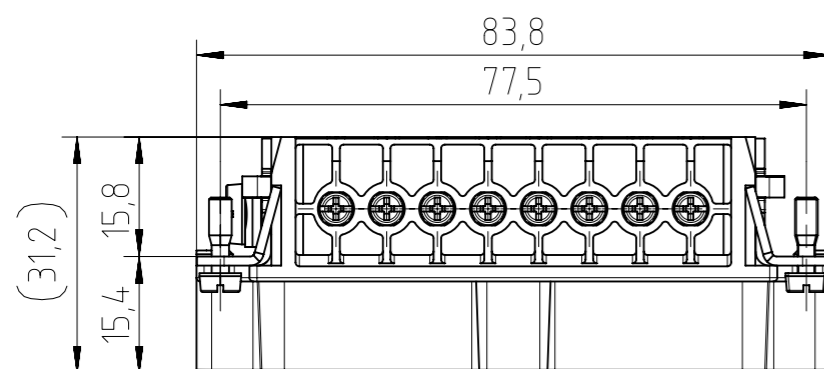
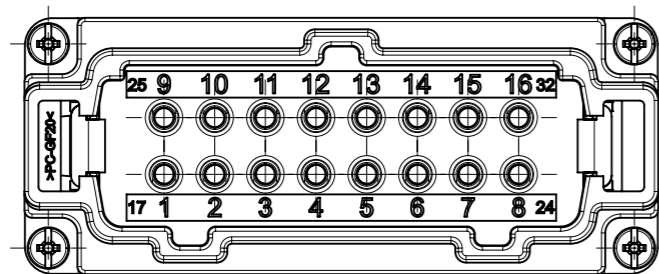


## Characteristics

General Characteristics	Standard	Value
number of contacts		16 + PE
termination technique		screw
wire gauge		0,5 mm <sup>2</sup> - 2,5 mm <sup>2</sup> AWG 20 - AWG 14
max. insulation diameter		4,6 mm
flammability	UL 94	V-0
Electrical Characteristics	Standard	Value
rated voltage	IEC 60664-1	500 V
pollution degree	IEC 60664-1	3
installation (overvoltage) category	IEC 60664-1	3
material group	IEC 60664-1	3b
rated impulse withstand voltage	IEC 60664-1	6 kV
rated current T <sub>amb</sub> = 40 °C		19 A
current carrying capacity	IEC 60512-5-2	see derating curve
contact resistance	IEC 60512-2-1	≤ 5 mΩ
insulation resistance	IEC 60512-3-1	≥ 10 <sup>10</sup> Ω
Climatical Characteristics	Standard	Value
climatic category	IEC 60068-1	40 / 125 / 21
upper temperature	IEC 60512-11-9	+125 °C
lower temperature	IEC 60512-11-10	-40 °C
Mechanical Characteristics	Standard	Value
mechanical operation	IEC 60512-9-1	≥500 mating cycles
Materials	Standard	Value
insert		PC-GF
contacts		CuZn (brass)
contact plating		Ag (silver)
color		grey



mit Drahtschutz  
with wire protection

Alle technischen Daten wurden unter Laborbedingungen ermittelt und können im Praxisbetrieb abweichen.  
Es handelt sich bei den Angaben weder um Beschaffenheits- noch um Haltbarkeitsgarantien.  
All technical data have been measured in a laboratory environment and can be different during practical usage of the product. Any product information is for descriptive usage only and not legally binding; particularly the information does not constitute or provide any legal guarantees ("Beschaffenheitsgarantie" or "Haltbarkeitsgarantie").

Gewicht (errechnet) / Calc WT: 87,4 g	Zul. Abw./Tolerances:	Maßstab / Scale: 1:1	A3	
Prüfmaß / Testdimension	ISO 2768-mH	CUSTOMER DRAWING		
Teileindex / Partindexnumber:		Stifteinsatz 16-Pol		
Bagatelle change: 19.09.2017 PWOELFFLE		male insert 16pole		
	Gez. 29.05.2015	M C146 10A016 102 1		
	Drawn DSC-MIG			
	Status Released			
	Gepr. 12.05.2017			
08 201600668 12.05.2017 MBERT	Checked MGRIMM	Blatt / Sheet 1		
07 201600668 15.12.2016 IMOHR		1 Bl.		
06 201600249 21.04.2016 PWÖLF		Ers. f. / Replacement for: M-C146 10A016 102 1 Rev04		
05 201500909 04.03.2016 JHÖNN		NXM-V10		
Index Änderung / Description Datum / Date Name				

Coping of this document and giving it to others and the use or communication of the contents thereof, are forbidden without express authority. Offenders are liable to the payment of damages. All rights are reserved in the event of the grant of a patent or the registration of the utility model or design.

Weitergabe sowie Vervielfältigung dieser Unterlage, Verwertung und Mitteilung ihres Inhalts nicht gestattet, soweit nicht ausdrücklich zugestanden. Zuwiderhandlungen verpflichten zu Schadensersatz. Alle Rechte für den Fall der Patenterteilung oder Gebrauchsmuster-Ertragung vorbehalten.

# Mouser Electronics

Authorized Distributor

Click to View Pricing, Inventory, Delivery & Lifecycle Information:

[Amphenol:](#)

[C14610A0161021](#)